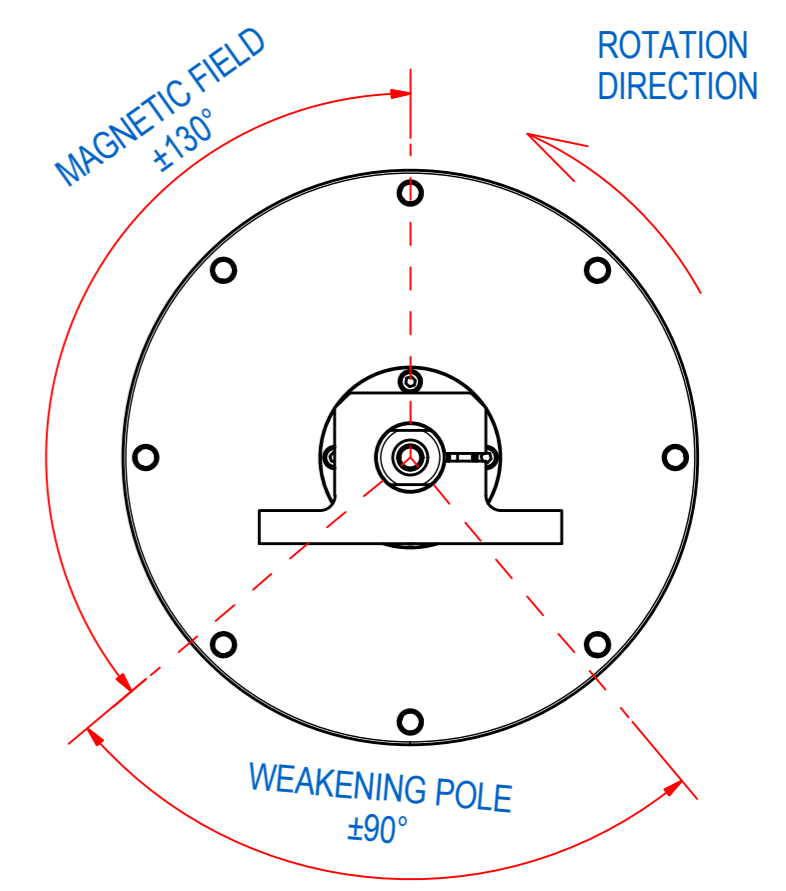
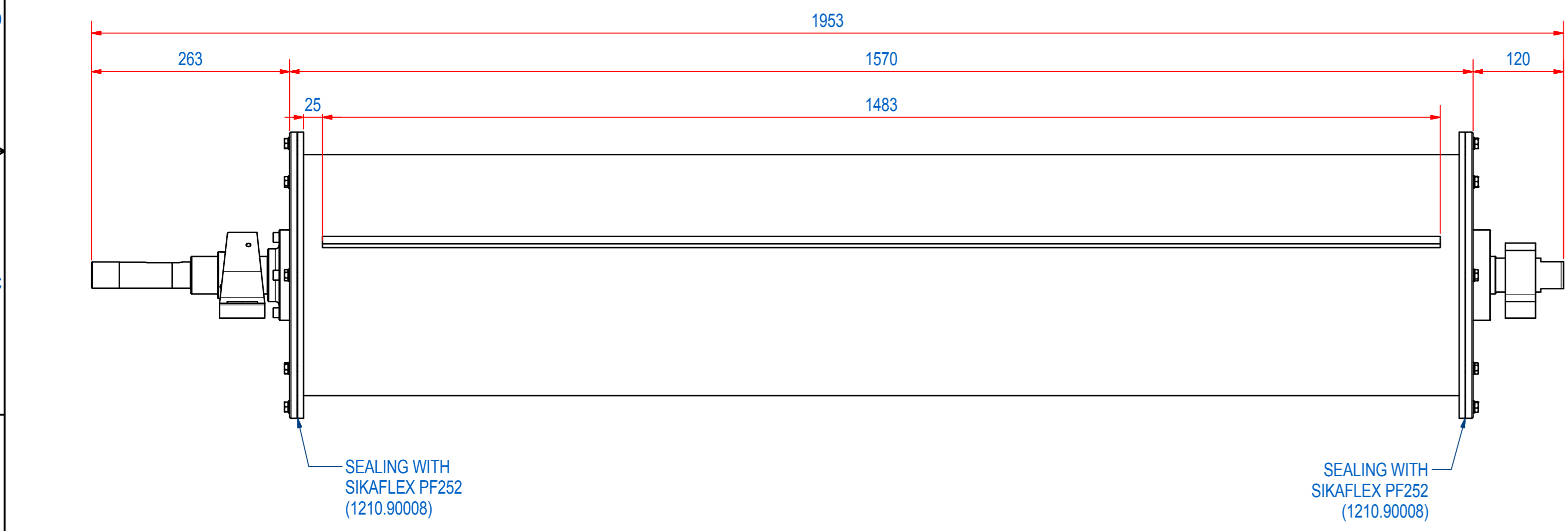
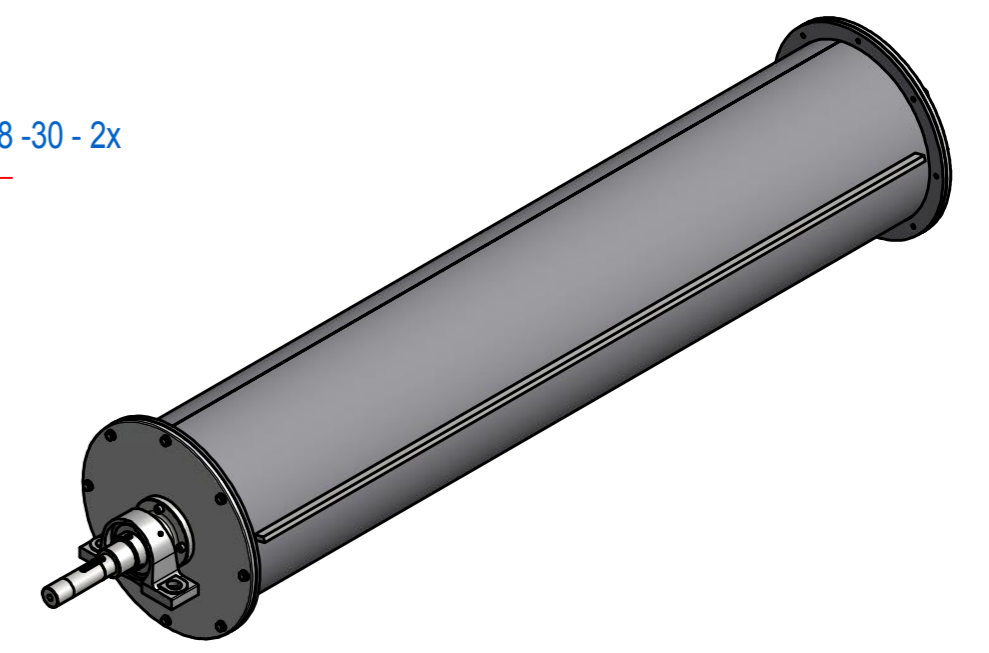
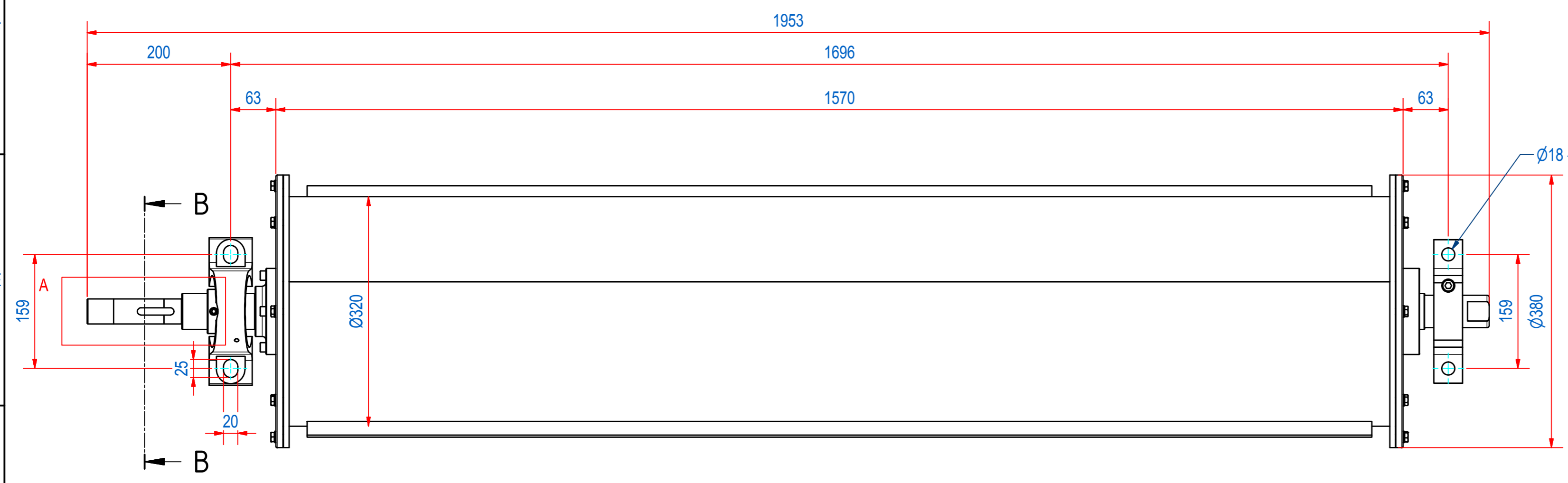


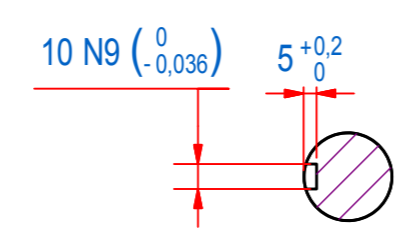
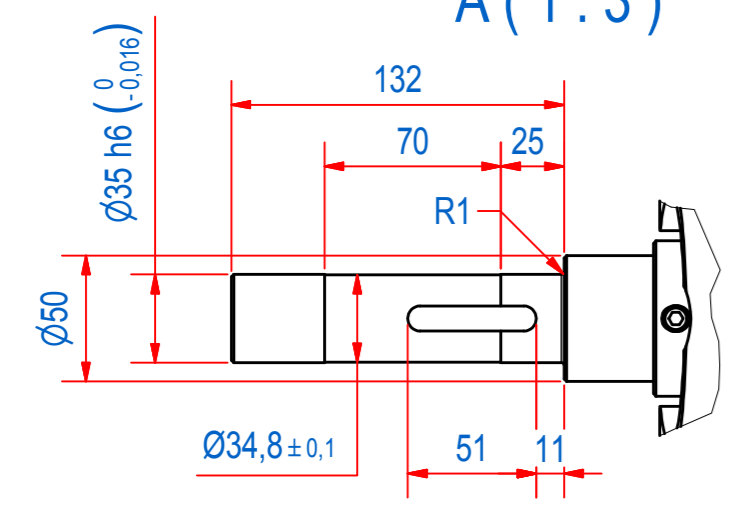
REV	DATE	BY	DESCRIPTION
-	20-10-2016	DD	Reference drawing = E0025963



SEALING WITH SIKAFLEX PF252 (1210.90008)

SEALING WITH SIKAFLEX PF252 (1210.90008)

A (1:3)



B-B (1:3)

ITEM	QTY	PART NUMBER	DESCRIPTION	Dimensions
3	1	E0049022	SHELL WITH CLEAT 1500/2	
2	1	E0026155	DR-15-H MAGNET PACK	
1	1	E0061072	DR-00 FLANGE WITH AXLE ASSY	

RAW MAT.	QTY	MAT. NUMBER	MAT. DESCRIPTION	LENGTH (mm)	WIDTH (mm)
⊕	1				

Sheet: A2	Extra info: HIGH GRADIENT DRUM	General tolerance: ISO 2768 - mK
Drawn: TD	Weight (kg): 388,3	Drawn according: ISO268; ISO1101; ISO2553
Date: 20-10-2016		Status: Released
Spare part: False		Customer reference number:
Quick search: RMD-15	© All rights reserved. Reproduction is not permitted without written permission of GOUDSMIT Magnetic Systems BV	File number: E0062423
Description: RMD-15-32-RS-H-OR-20S2		Part number: E0062422