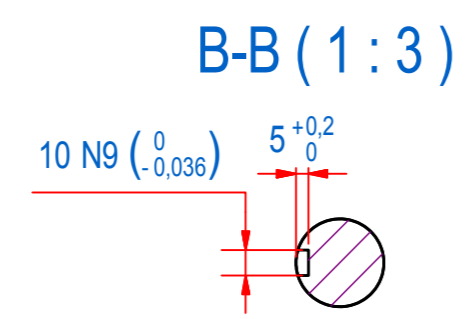
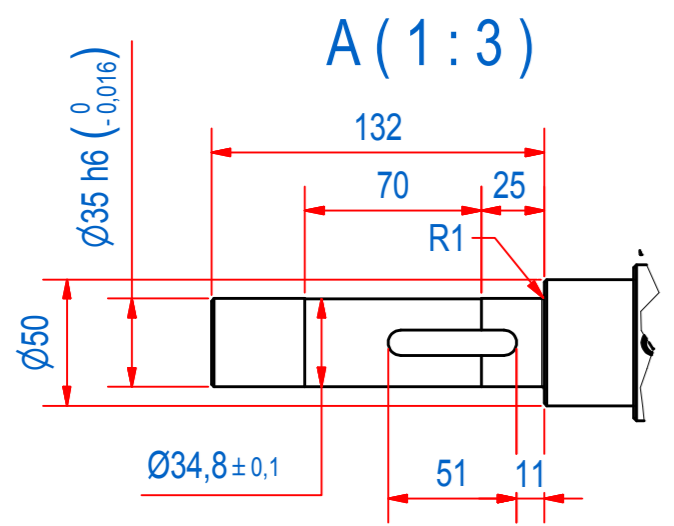
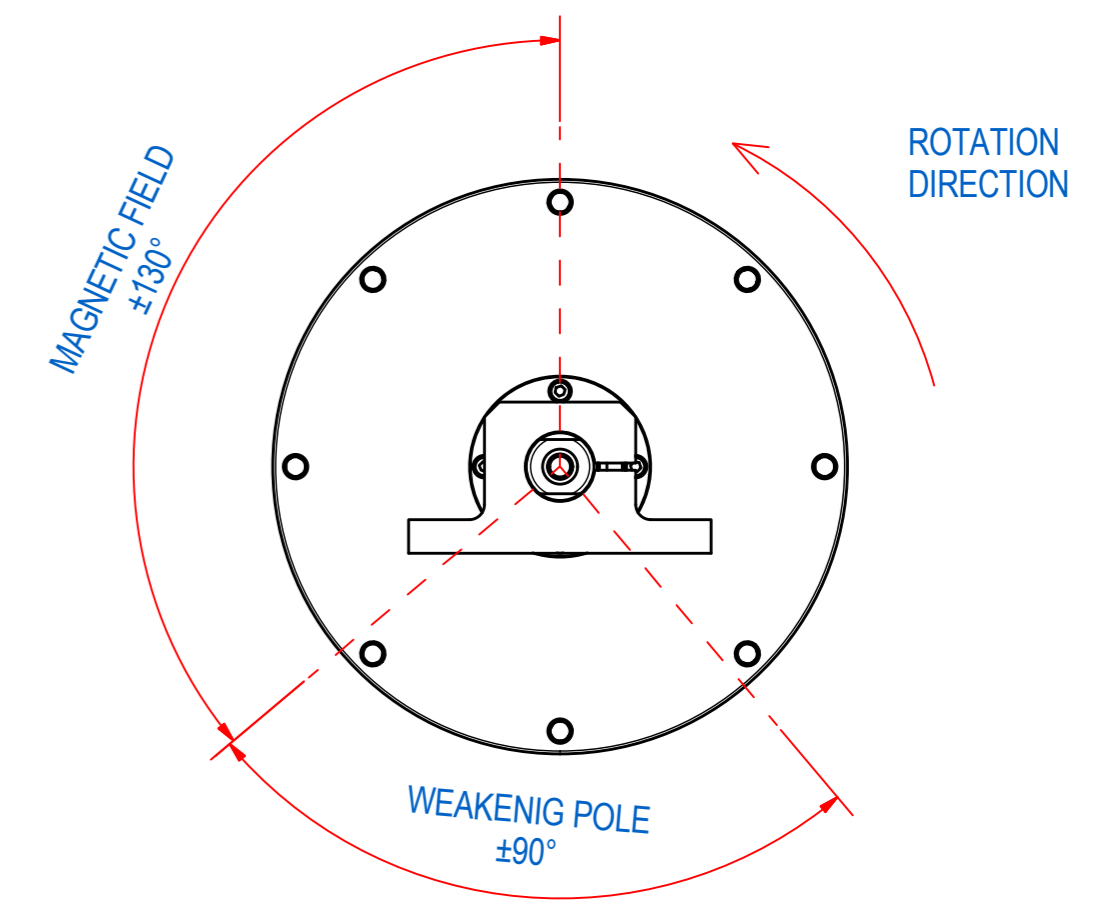
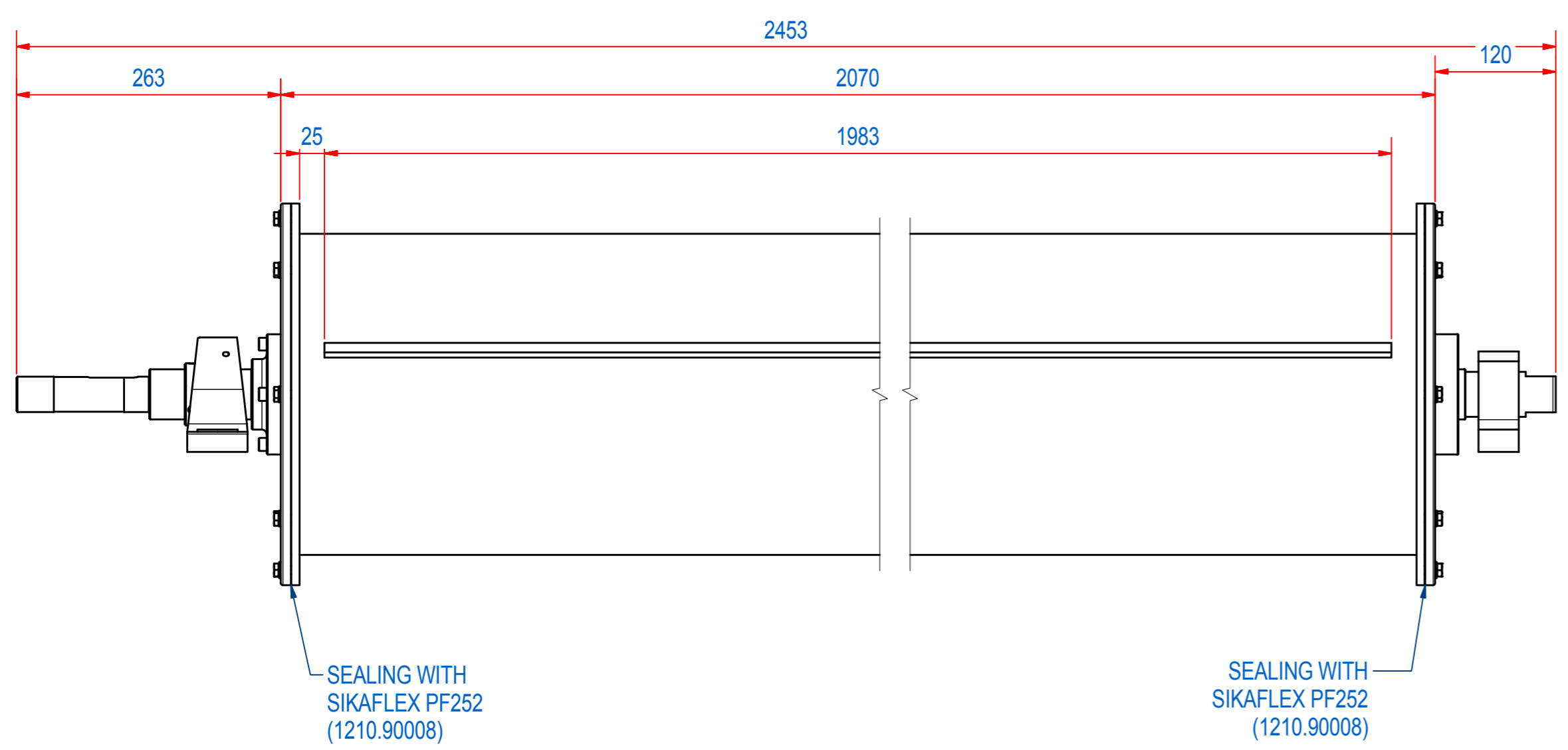
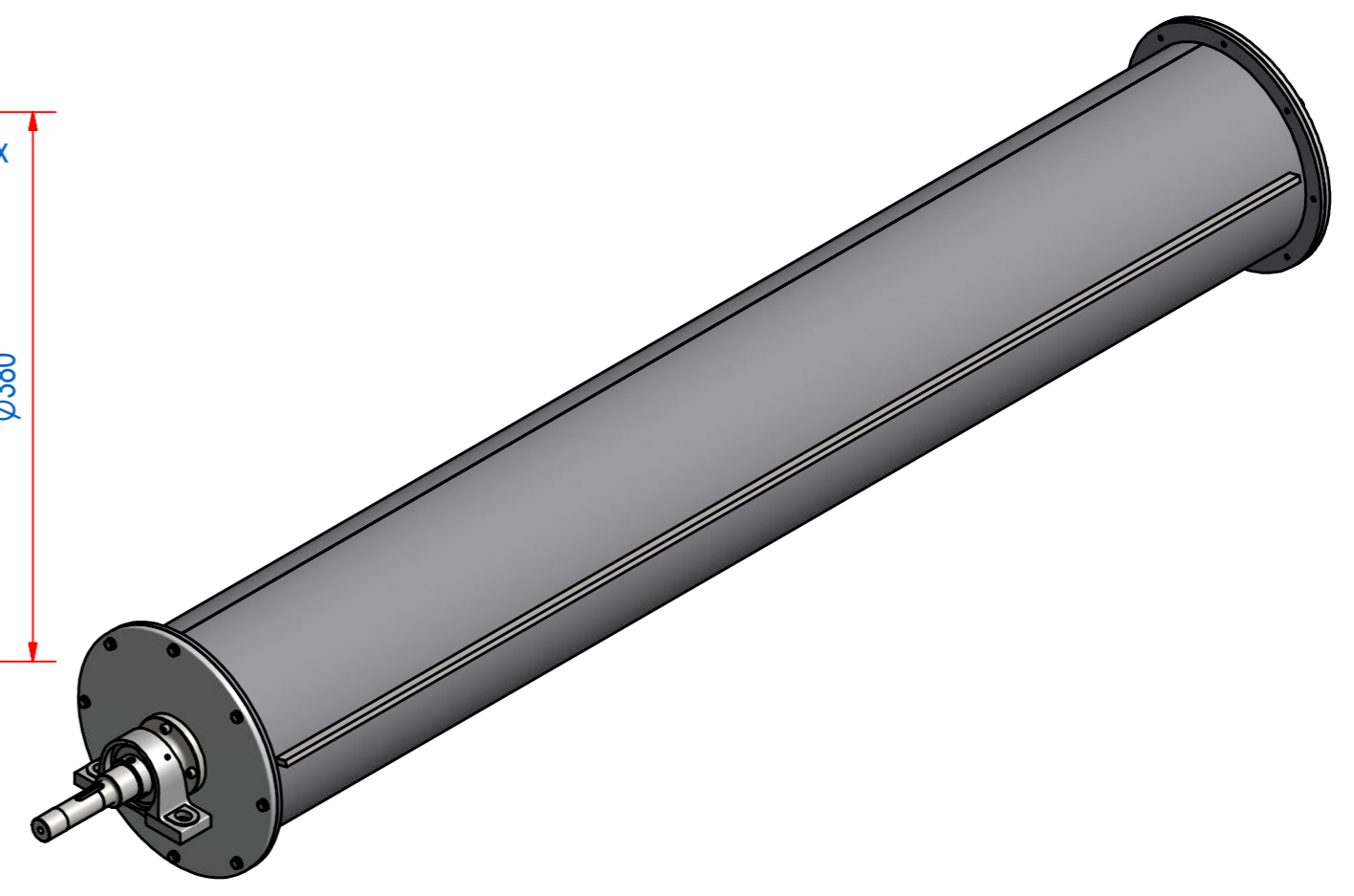
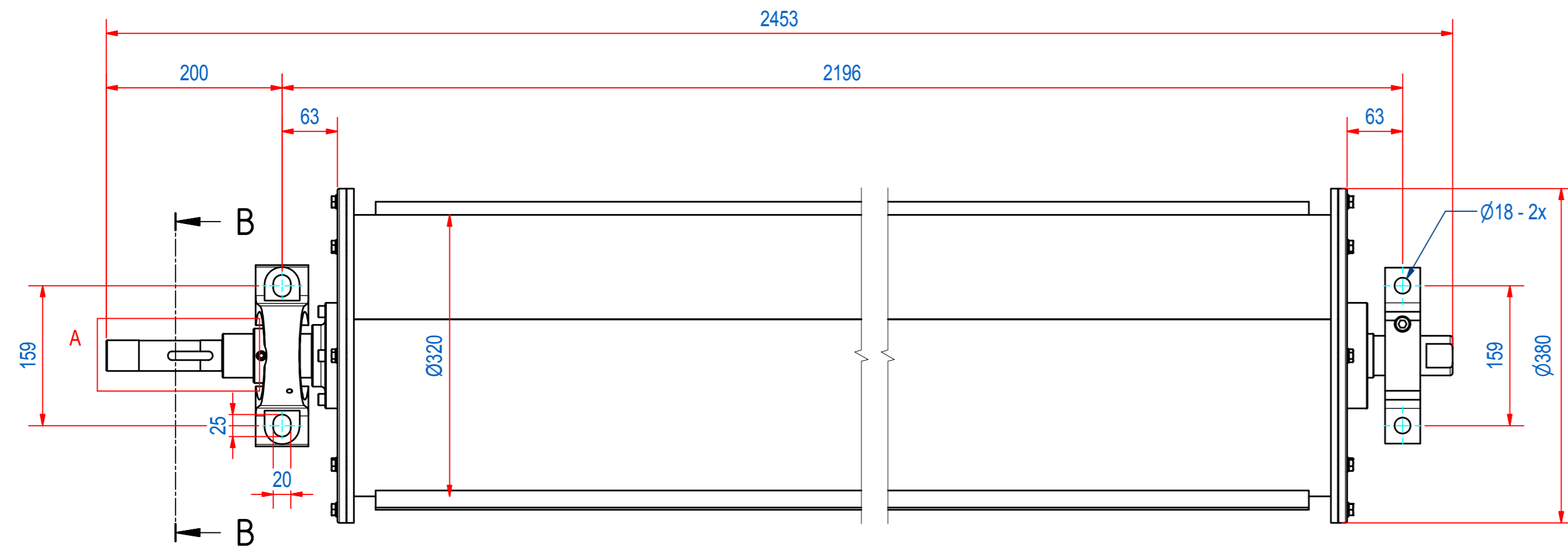


REV	DATE	BY	DESCRIPTION
-	20-10-2016	DD	Reference drawing = E0025965



ITEM	QTY	PART NUMBER	DESCRIPTION	Dimensions
3	1	E0062055	SHELL WITH CLEAT 2000/2	
2	1	E0026174	DR-20-H MAGNET PACK	
1	1	E0061072	DR-00 FLANGE WITH AXLE ASSY	

RAW MAT.	QTY	MAT. NUMBER	MAT. DESCRIPTION	LENGTH (mm)	WIDTH (mm)
1	1				

Sheet: A2	Extra info: HIGH GRADIENT	General tolerance: ISO 2768- mK
Drawn: TD	Weight (kg): 507,8	Drawn according: ISO268; ISO1101; ISO2553
Date: 20-10-2016	GOUDSMIT MAGNETIC SYSTEMS	Status: Released
Spare part: False		Customer reference number:
Quick search: RMD-20	© All rights reserved. Reproduction is not permitted without written permission of GOUDSMIT Magnetic Systems BV	File number: E0062425
Description: RMD-20-32-RS-H-OR-20S2		Part number: E0062424