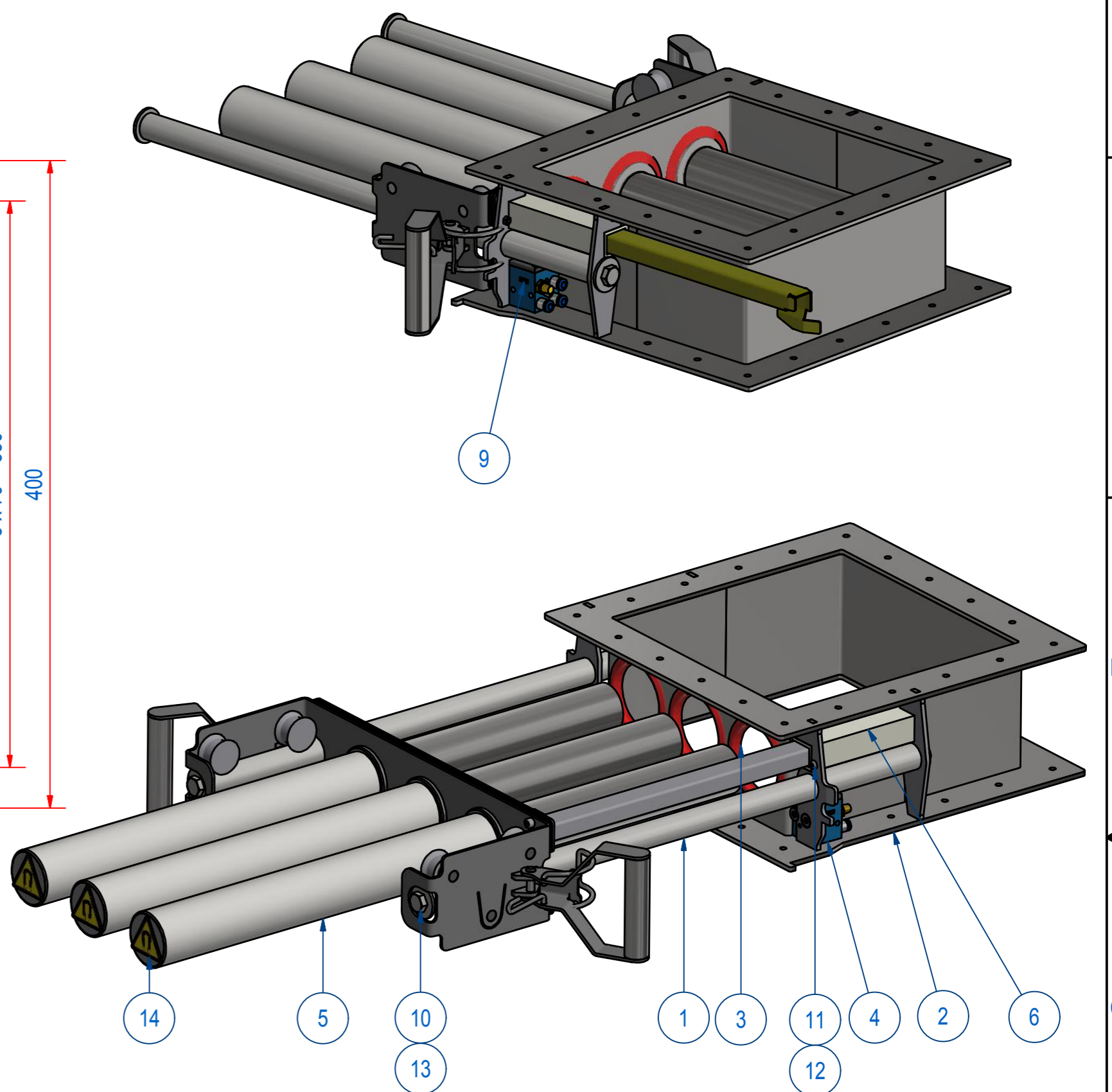
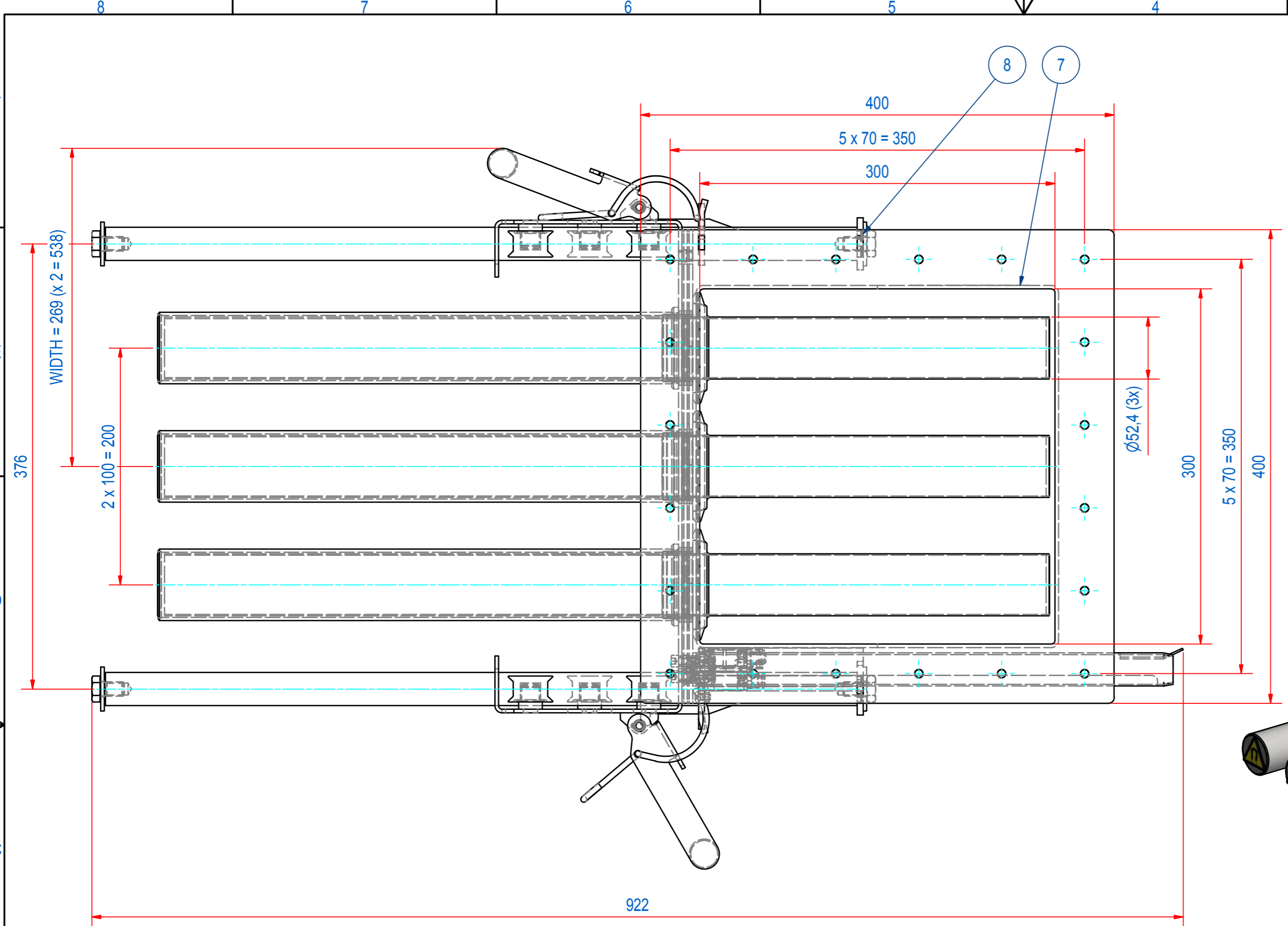
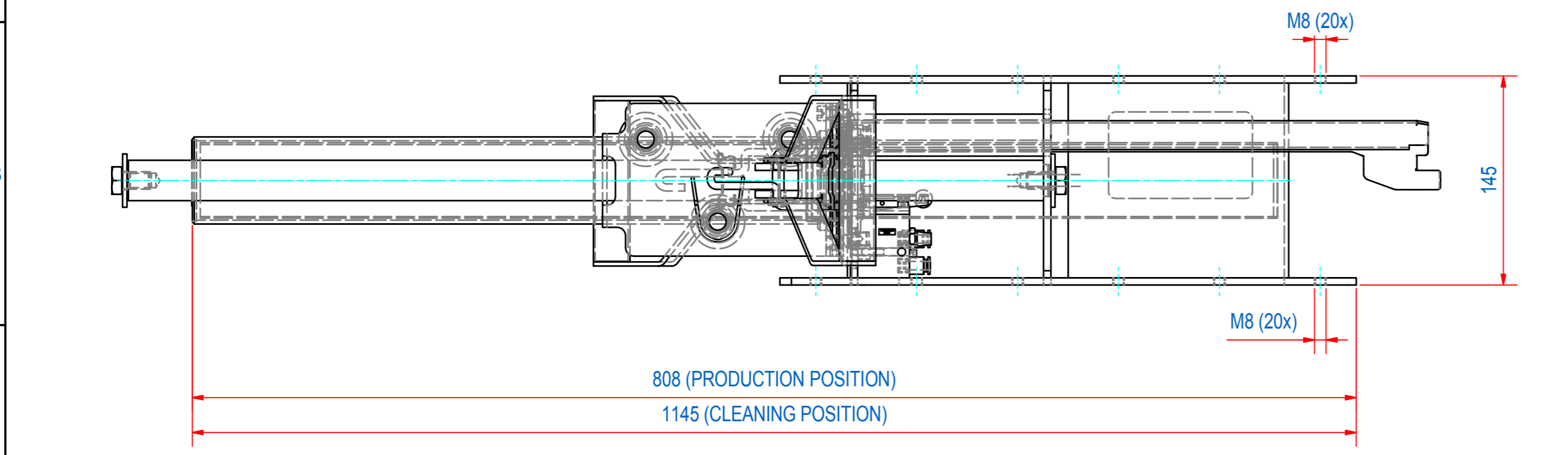


DOC.NR.	REV	DATE	BY	DESCRIPTION
E0062794	A	21-12-2016	AvD	COMPLETELY CHANGED, AISI316 WAS AISI304
E0062794	B	4-1-2017	AvD	INSERT CHANGED E0066661 WAS E0051804
E0062794	C	26-10-2017	CR	TYPE PLATE AND EARTH SIGN ADDED



ITEM	QTY	PART NUMBER	DESCRIPTION	Dimensions
14	3	1000.20030	STICKER MAGNETIC FIELD small	
13	4	70.8300012	WASHER 3xD M12x37 - A4	M12x37
12	1	60.0300005	NUT, HEX M5 - A4	M5
11	1	54.1305010	SCREW, HEX S BH LOW M5x10 - A4	M5x10
10	4	50.1312020	BOLT, HEX M12 x 20 - A4	M12 x 20
9	1	E0093167	SECE PNEUMATIC DIAGRAM	
8	1	E0084706	EARTH SIGN SYMBOL	
7	1	E0084784	SECE EASY CLEAN	
6	1	E0055904	GUIDE BUSH EC1935	
5	1	E0066661	ASSY INSERT EASY CLEAN 300	
4	1	E0051802	ASSY AIR VALVE EASY CLEAN	
3	3	E0049709	SEAL Ø75 SILICONE EC1935	
2	1	E0049651	HOUSE 300x300 EASY CLEAN	
1	2	E0049281	BAR RND ø28 h9 AISI 316L	ø28 - 640



RAW MAT.	Quantity	Material Number	Material Description	Length (mm)	Width (mm)
1					

Sheet: <b>A2</b>	Extra info:	General tolerance: <b>ISO 2768 - mK</b>
Drawn: <b>AvD</b>	Weight (kg): <b>44,9</b>	Drawn according: <b>ISO268; ISO1101; ISO2553</b>
Date: <b>4-1-2017</b>		Status: <b>Standard</b>
Spare part: <b>False</b>		Customer reference number:
Quick search: <b>EASY CLEAN 300</b>	© All rights reserved. Reproduction is not permitted without written permission of GOUDSMIT Magnetic Systems BV	Document number: <b>E0062794</b>
Description: <b>SECE-3030-03V-ES-F1M-B-B-BB-B</b>		Doc.Rev: <b>C</b>
		Part number: <b>E0062793</b>
		Rev: <b>C</b>