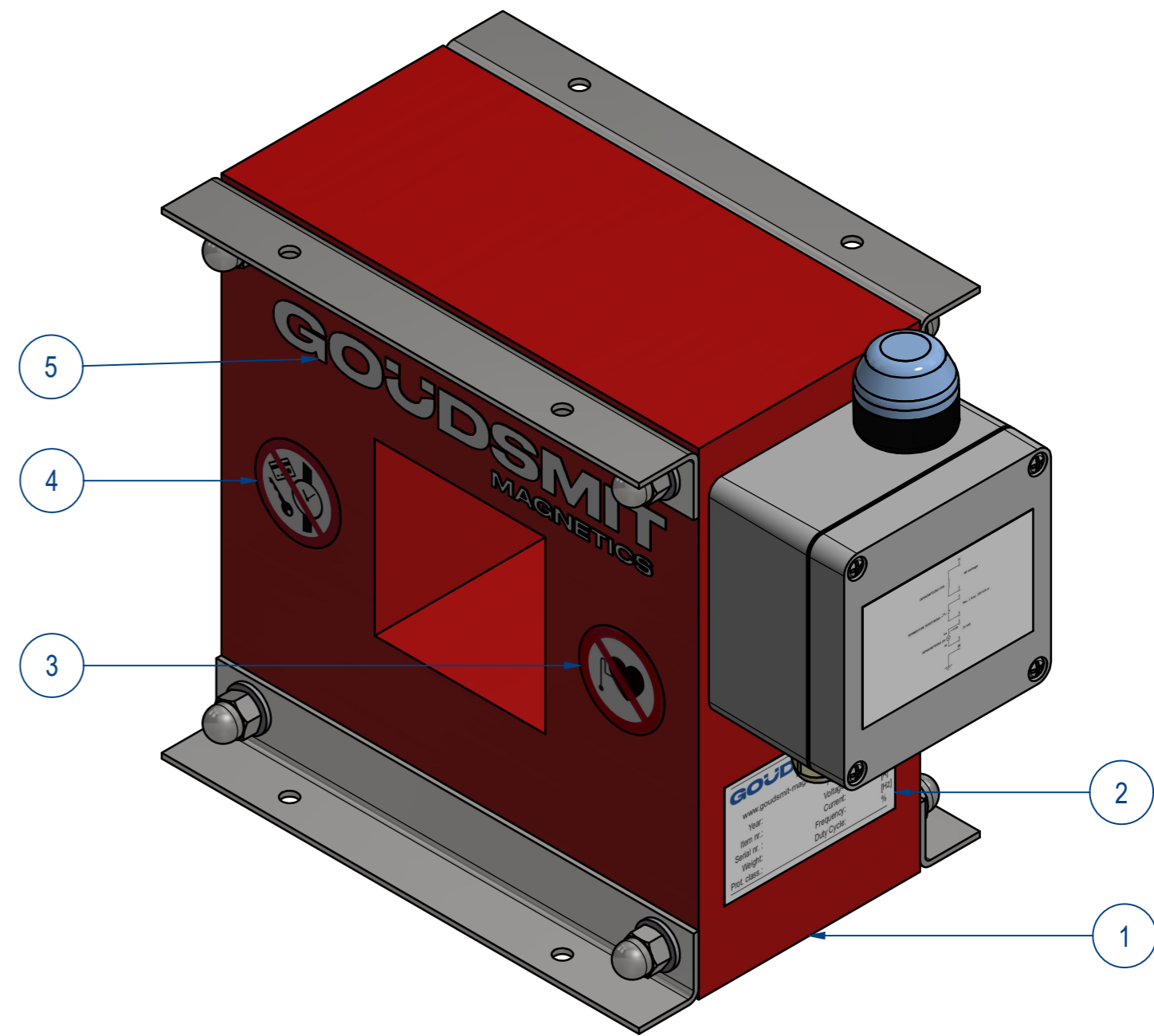
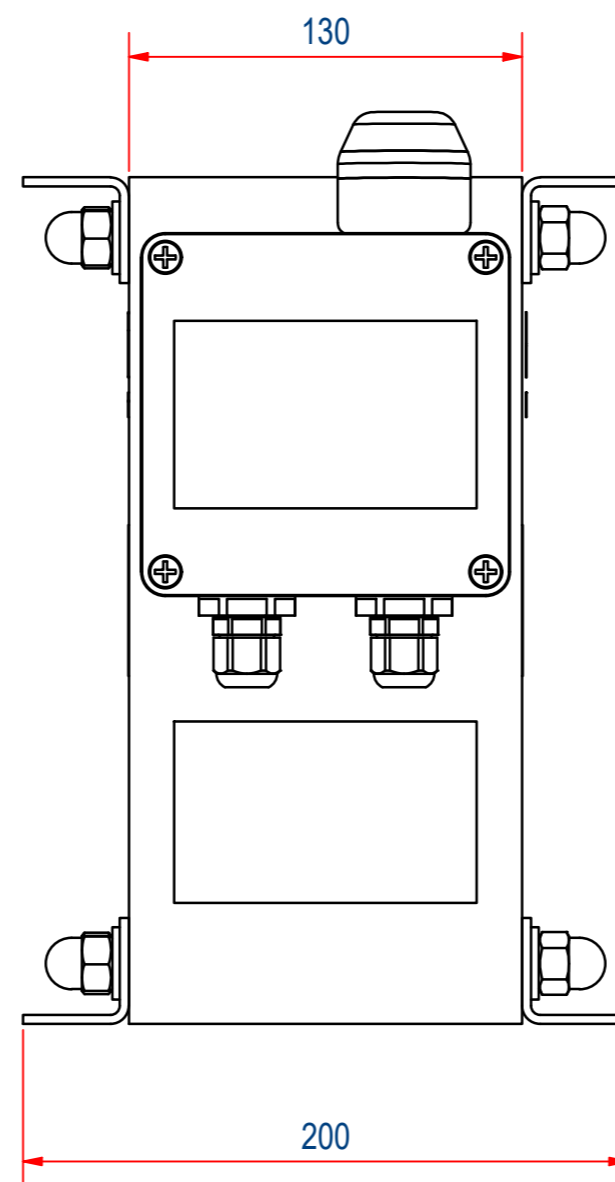
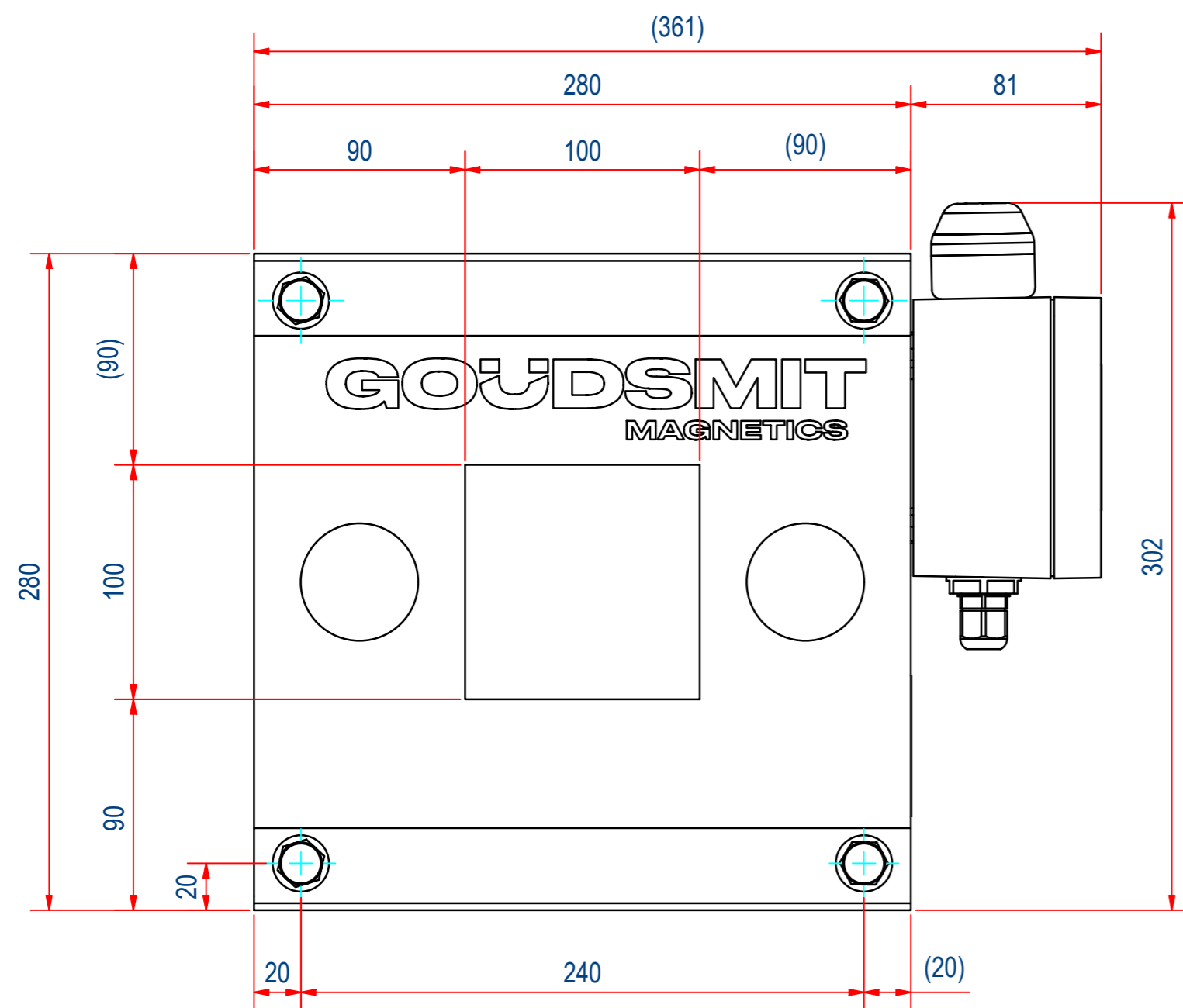
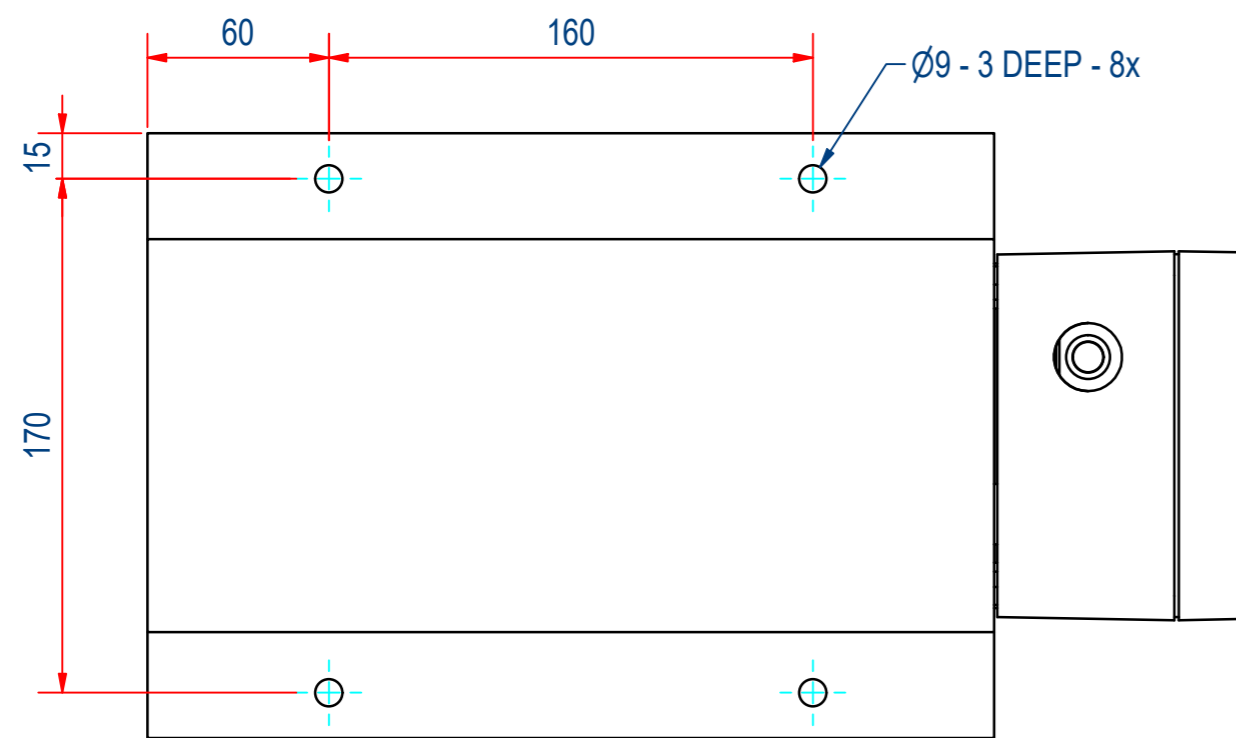


REV	DATE	BY	DESCRIPTION
-	6-2-2017	PV	REFERENCE EDTR101002
A	19-1-2023	TT	CONNECTION BOX + STICKER REPLACED



ITEM	QTY	PART NUMBER	DESCRIPTION	Dimensions
5	2	E0125602	STICKER GOUDSMIT W230 H35	
4	2	1000.20055	STICKER ARTICLES FORBID D50	
3	2	1000.20056	STICK. PACEMAKER FORB. D=50	
2	1	P190179	HDTU-STICKER DEMAG. TUNNEL	
1	1	E0066612	HDTU-DEMAG. ASSEMBLY EDTR1010	

RAW MAT.	Quantity	Material Number	Material Description	Length (mm)	Width (mm)
1	1				

Drawn: BS	Weight (kg): 29	Extra info: DEMAG TUNNEL 690VA	General tolerance: ISO 2768 - mK
Date: 3-2-2017	Spare part: False	Source: MC-C	Drawn according: ISO268; ISO1101; ISO2553
Quick search: EDTR1010			Status: Standard
Description: HDTU-H-R-0100x0100-230V-B	<small>© All rights reserved. Reproduction is not permitted without written permission of GOUDSMIT Magnetic Systems BV</small>		Customer reference number:
			Document number: E0068736
			Doc.Rev: A
			Part number: E0068735
			Rev: A