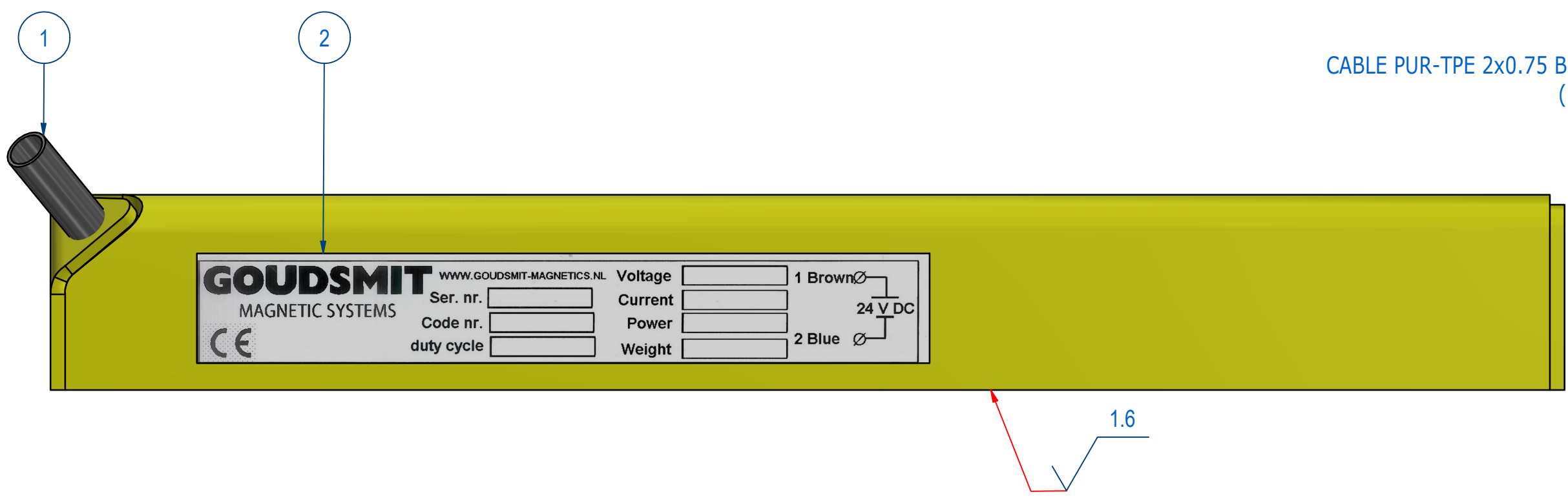
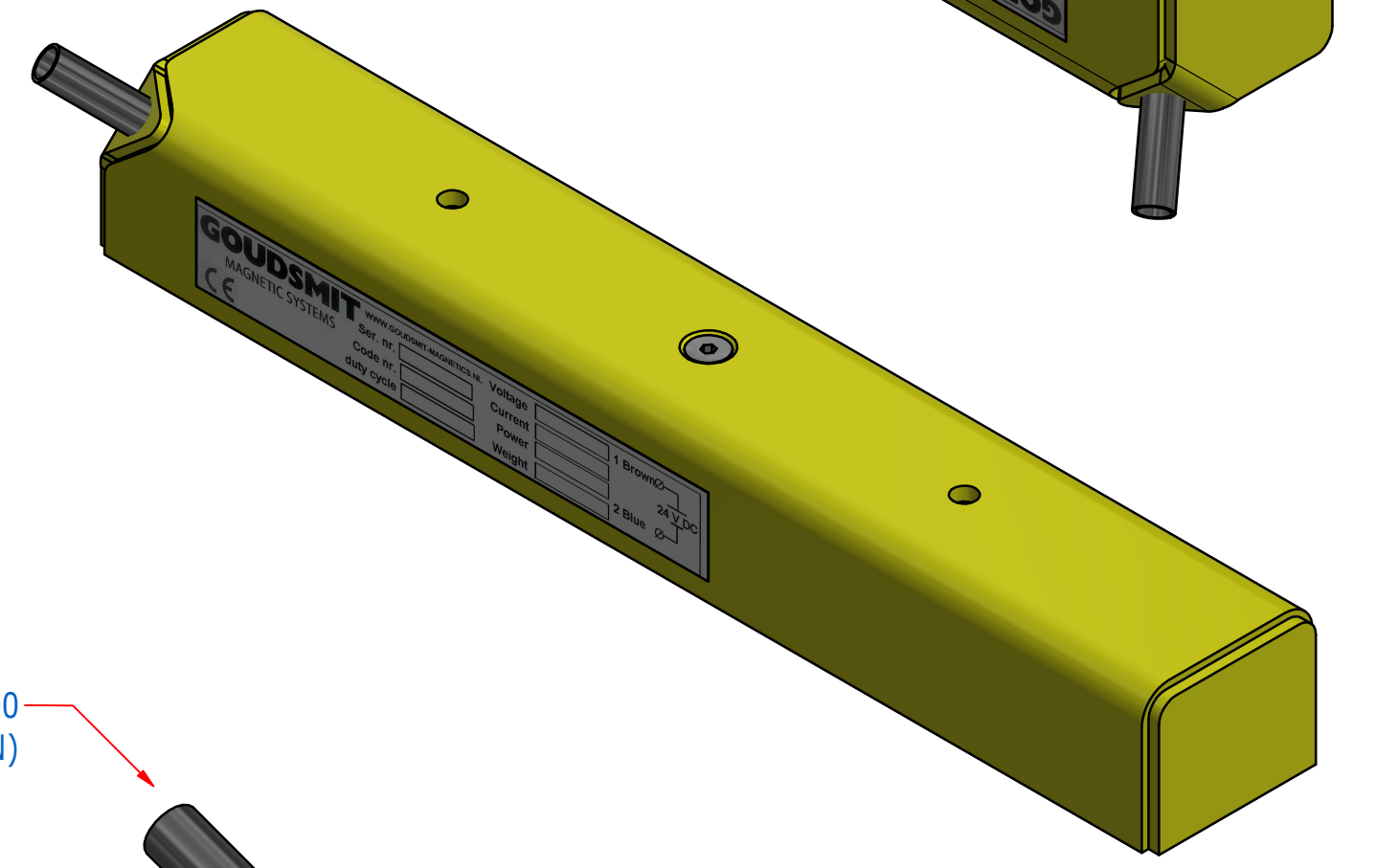
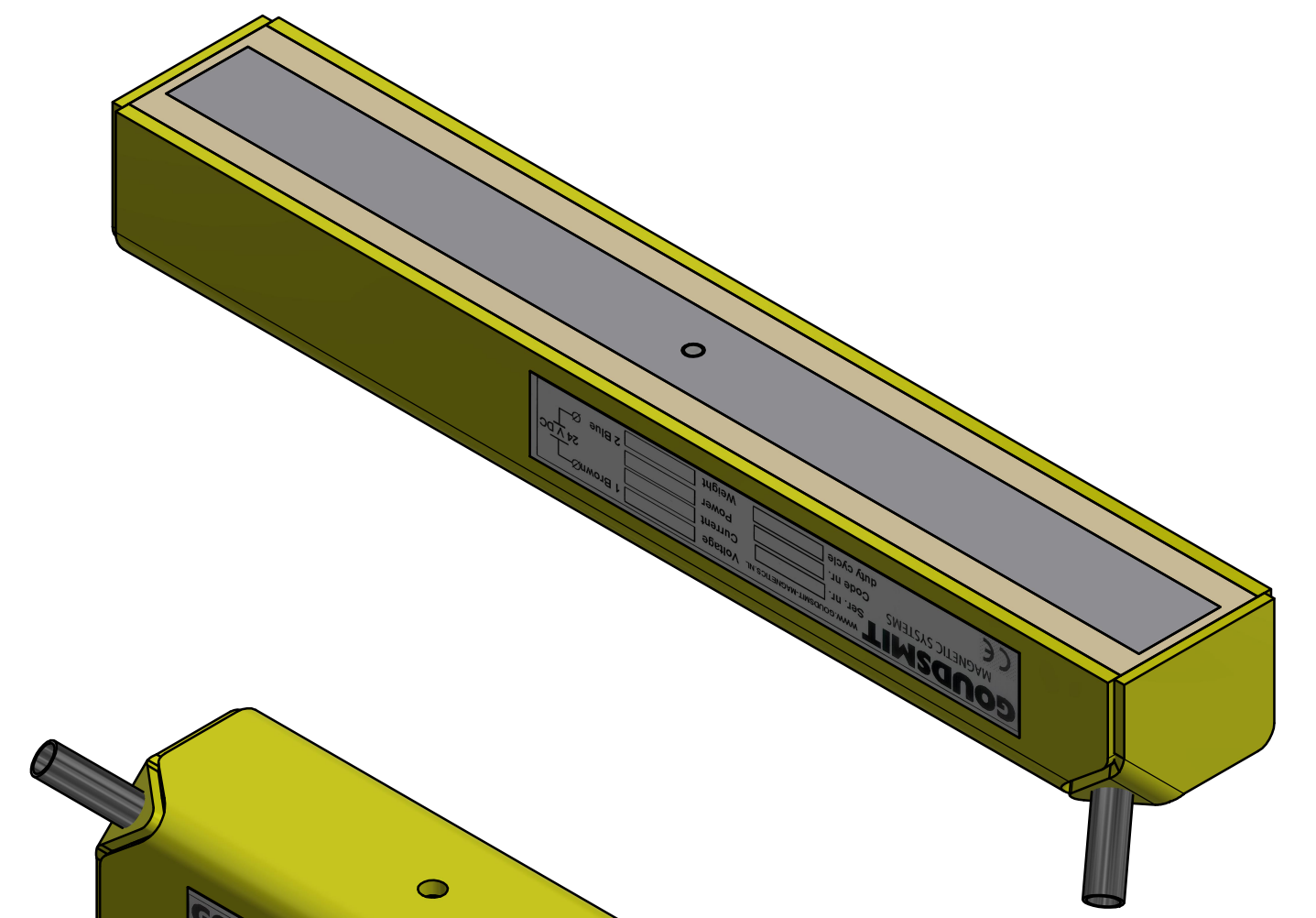
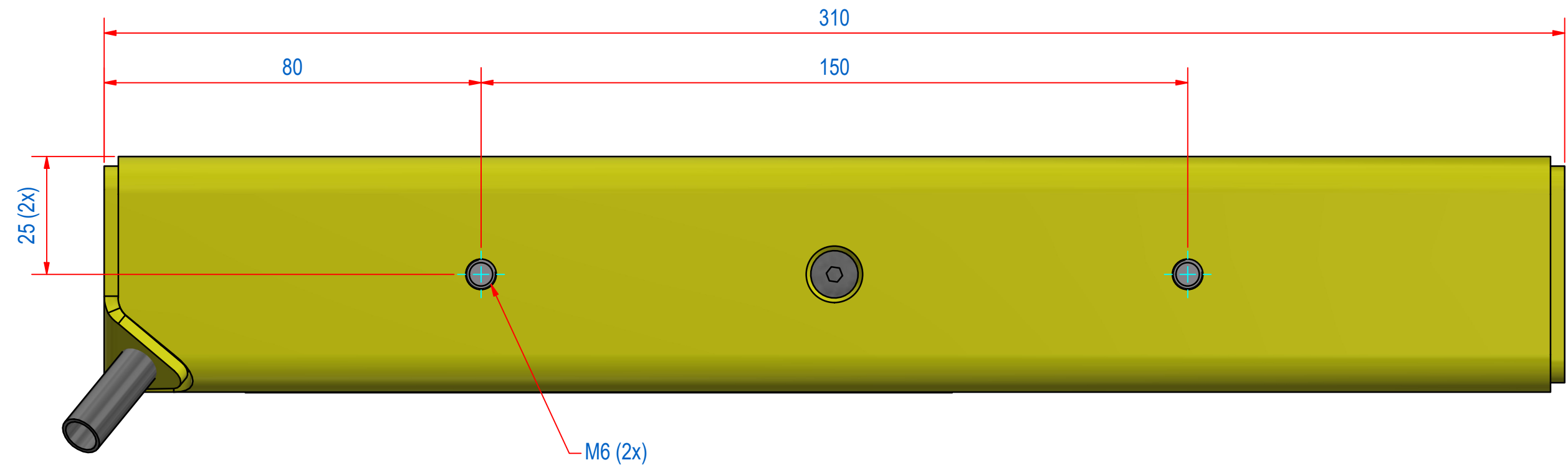
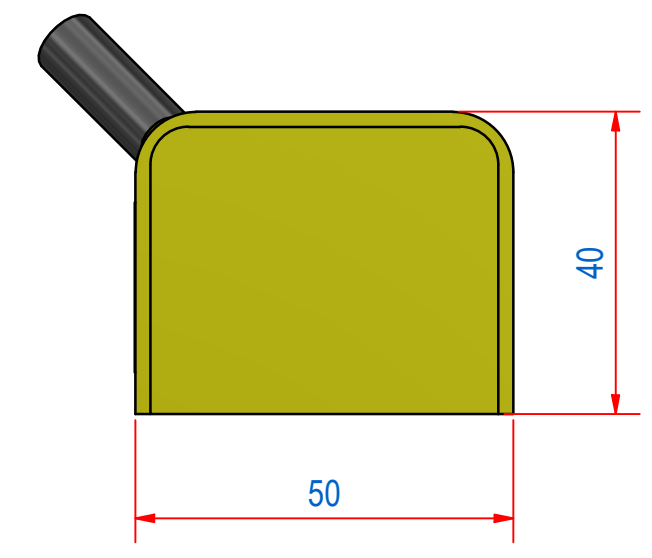


REV	DATE	BY	DESCRIPTION
-	22-6-2017	PV	REFERENCE MODEL: EHKA03000



CABLE PUR-TPE 2x0.75 BLACK L=5000 (NOT SHOWN)



GOUDSMIT www.GOUDSMIT-MAGNETICS.NL		Voltage	1 Brown	
Ser. nr.	Code nr.	Current	2 Blue	
CE		Power		
duty cycle		Weight		

ITEM	QTY	PART NUMBER	DESCRIPTION	Dimensions
2	1	M59957	STICKER ELECTRO ROD	
1	1	E0076797	ASSEMBLY DRAWING	
RAW MAT.	Quantity	Material Number	Material Description	Length (mm) Width (mm)
	1			
Sheet: A2		Extra info:		General tolerance: ISO 2768- mK
Drawn: PV		24V, 27W		Drawn according: ISO268; ISO1101; ISO2553
Date: 6-6-2017		Duty cycle: 50%, max 10 min		Status: Standard
Spare part: False		Source:		Customer reference number:
Quick search: EHKA0310				Document number: E0076796 Doc.Rev: -
Description: HEB-50x40-0310-GC		<small>© All rights reserved. Reproduction is not permitted without written permission of GOUDSMIT Magnetic Systems BV</small>		Part number: E0076795 Rev: -