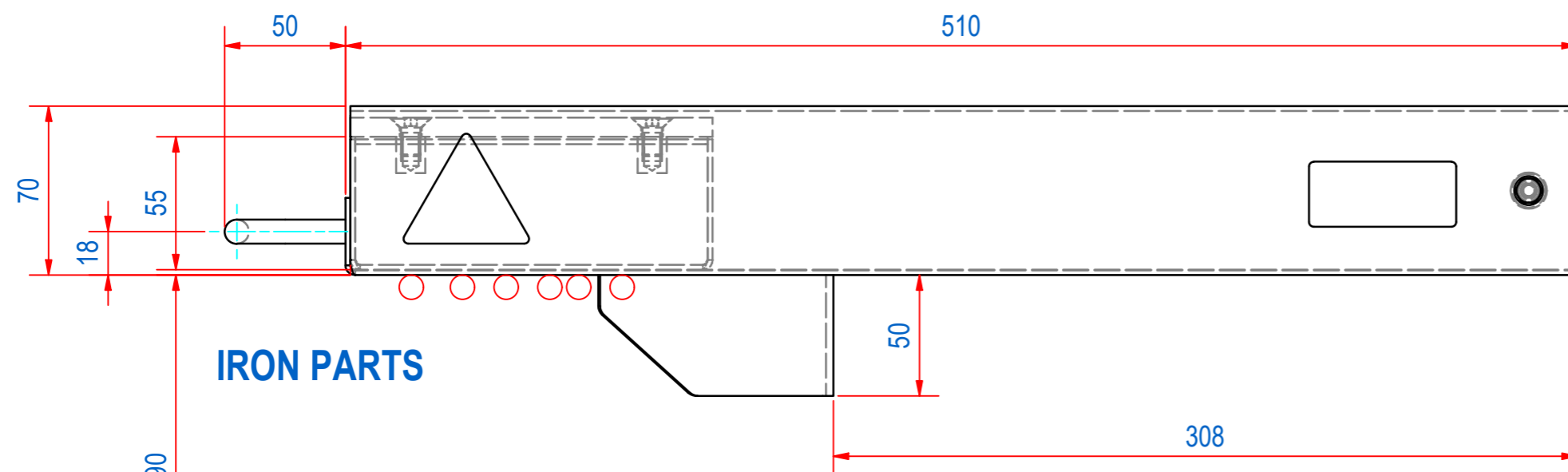
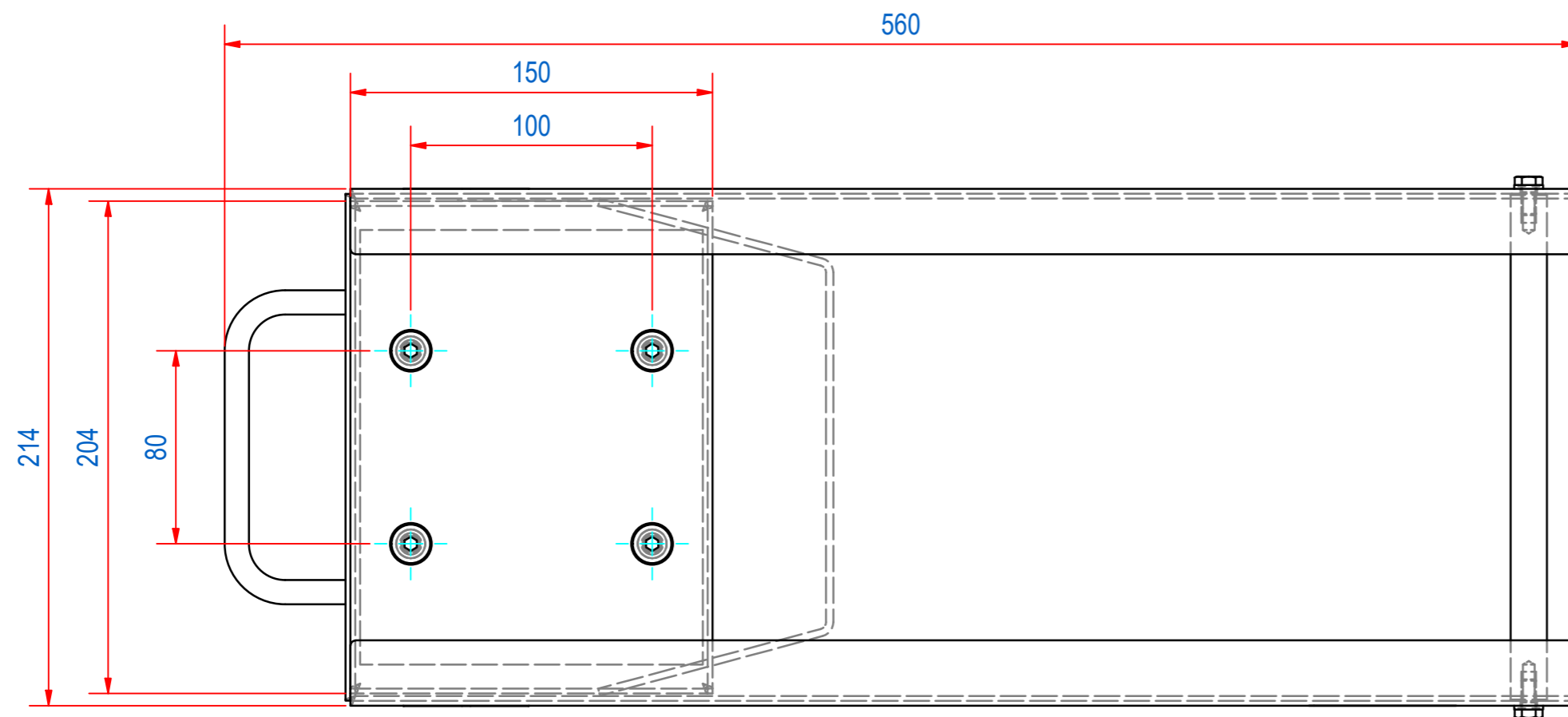
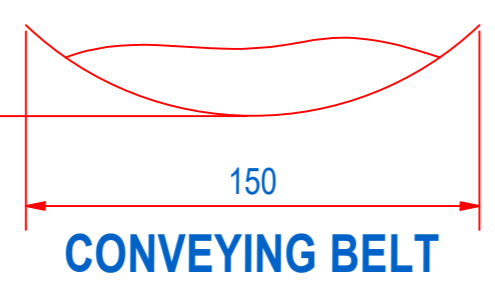


REV	DATE	BY	DESCRIPTION
-	2-4-2019	CR	REFERENCE DRAWING SEVN010660
A	22-6-2022	CR	COMPLETELY AISI316L, BOM CHANGED

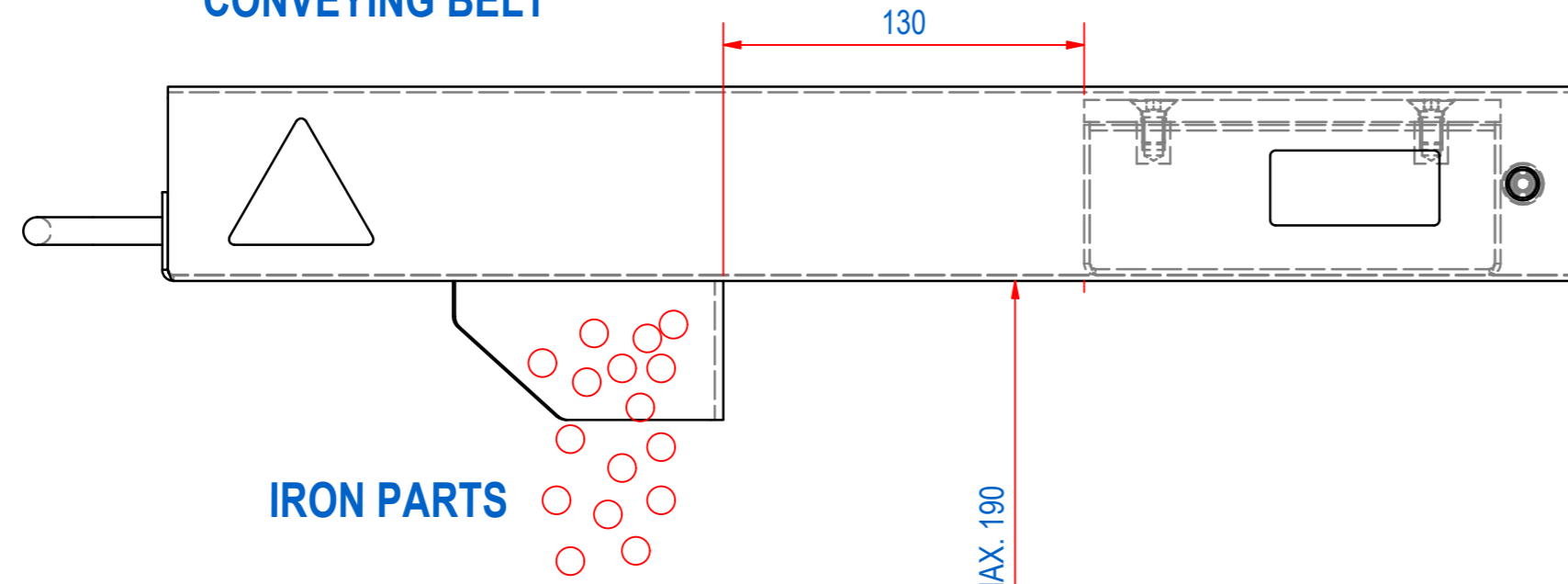


IRON PARTS

MAX. 190

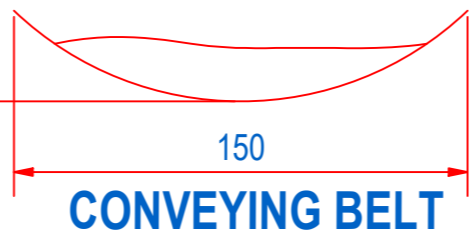


CONVEYING BELT



IRON PARTS

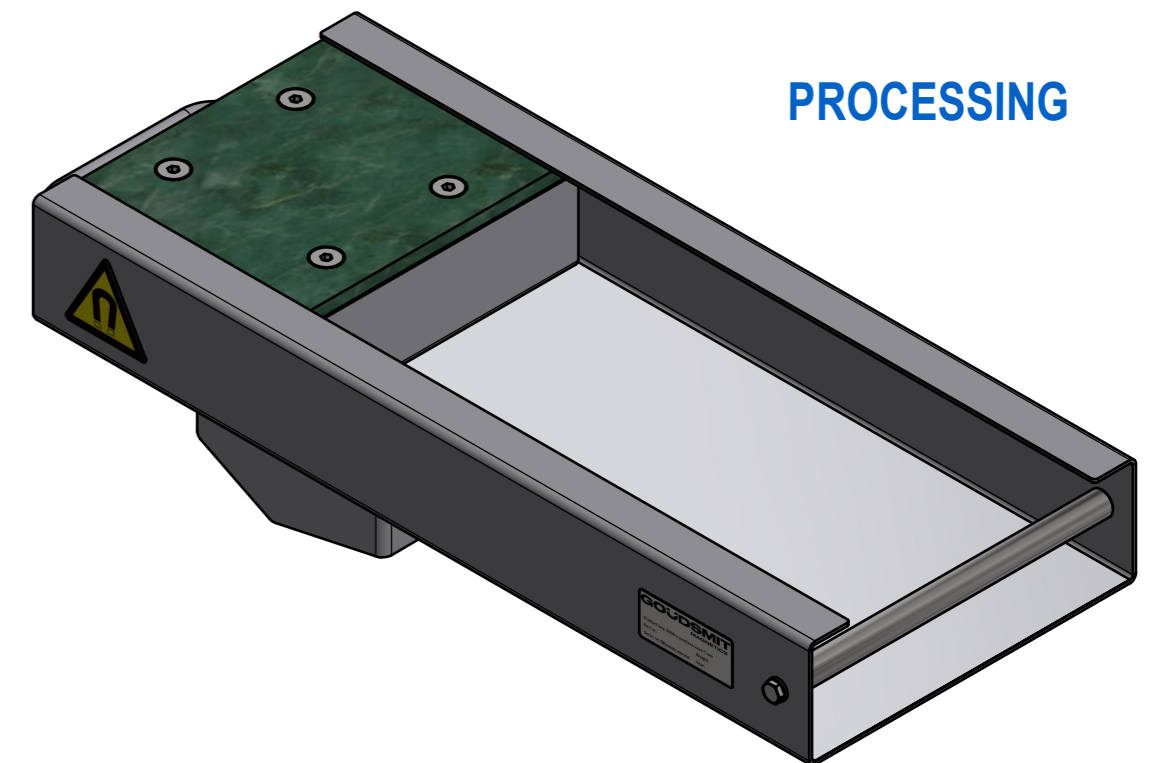
MAX. 190



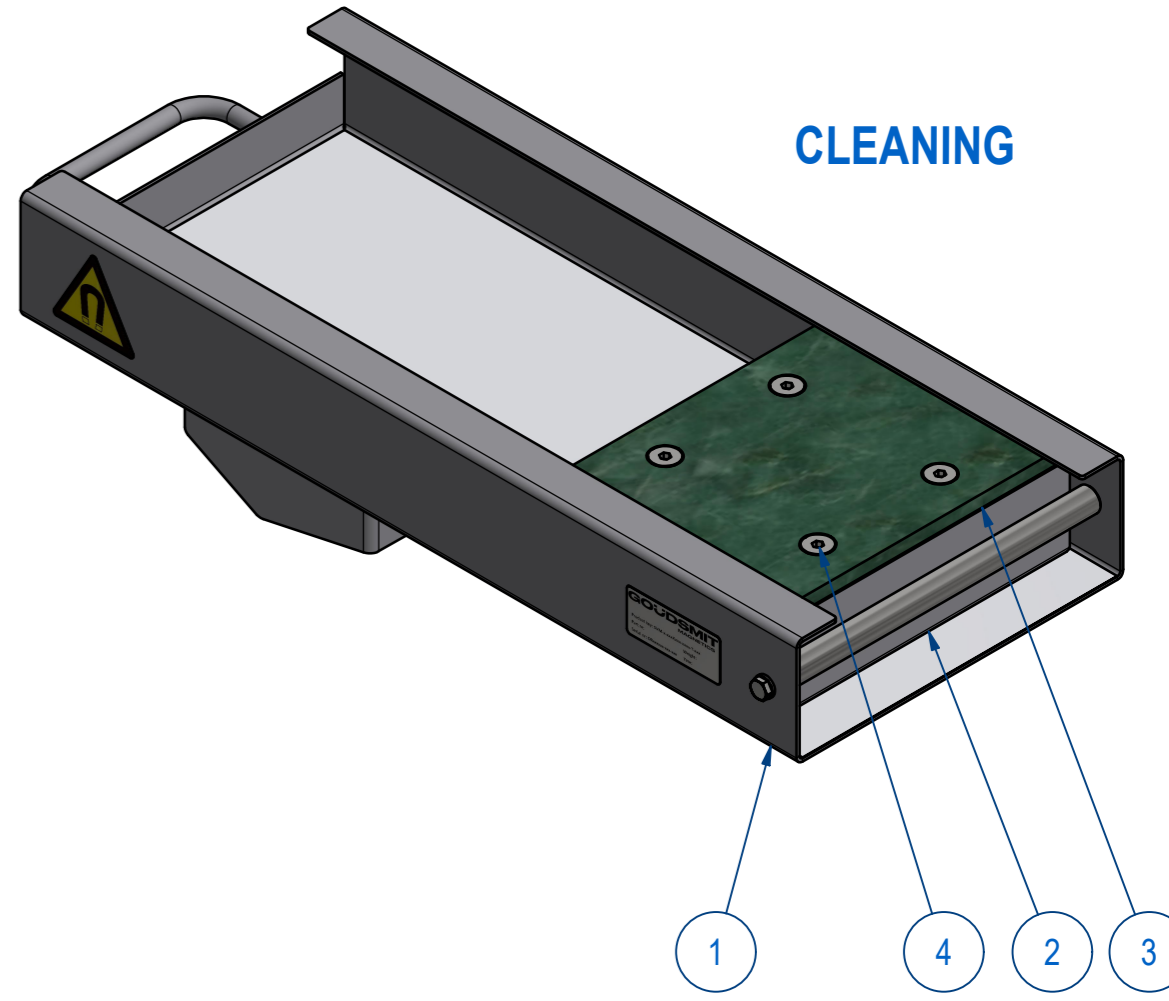
CONVEYING BELT

PROCESSING

CLEANING



PROCESSING



CLEANING

ITEM	QTY	PART NUMBER	DESCRIPTION	Dimensions	
4	4	52.0308016	SCREW, HEX S CS M8x16 - A4	M8x16	
3	1	E0083219	SVM-150 GUIDANCE STRIP L=150		
2	1	SVMN020150	SVM-N-204x55-0150-B-F1M		
1	1	E0153375	SVM-150 EXTRACTOR TRAY ASSY		
RAW MAT.	Quantity	Material Number	Material Description	Length (mm)	Width (mm)
	1				
Sheet: A2		Extra info:		General tolerance: ISO 2768- mK	
Drawn: CR		Weight (kg): 14		Drawn according: ISO268; ISO1101; ISO2553	
Date: 5-7-2019		Source: MC-C		Status: Released	
Spare part: False		Quick search: SVMN-150		Customer reference number:	
Description: SVM-N-204x55-0150-T-F1M		Document number: E0083221		Doc.Rev: A	
		Part number: E0083221		Rev: A	



© All rights reserved. Reproduction is not permitted without written permission of GOUDSMIT Magnetic Systems BV