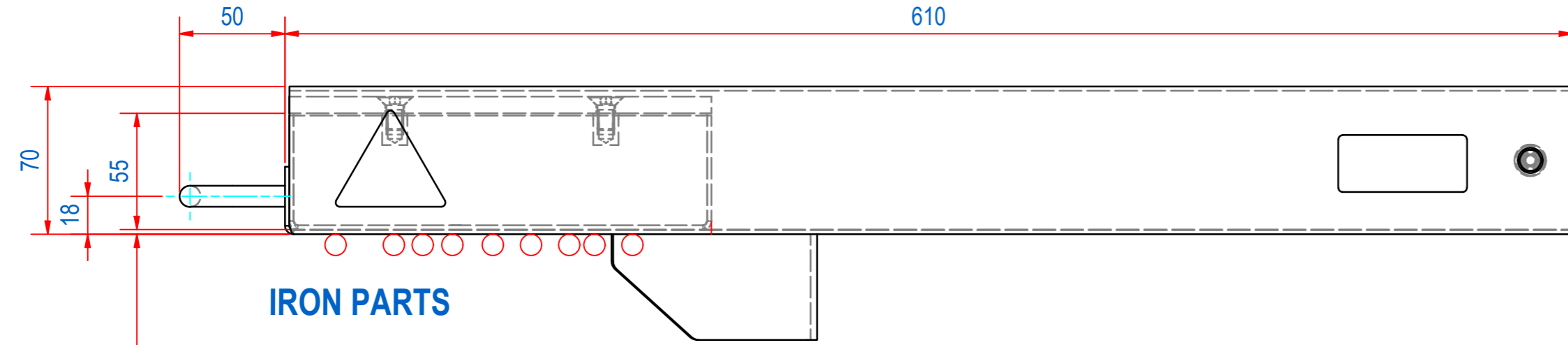
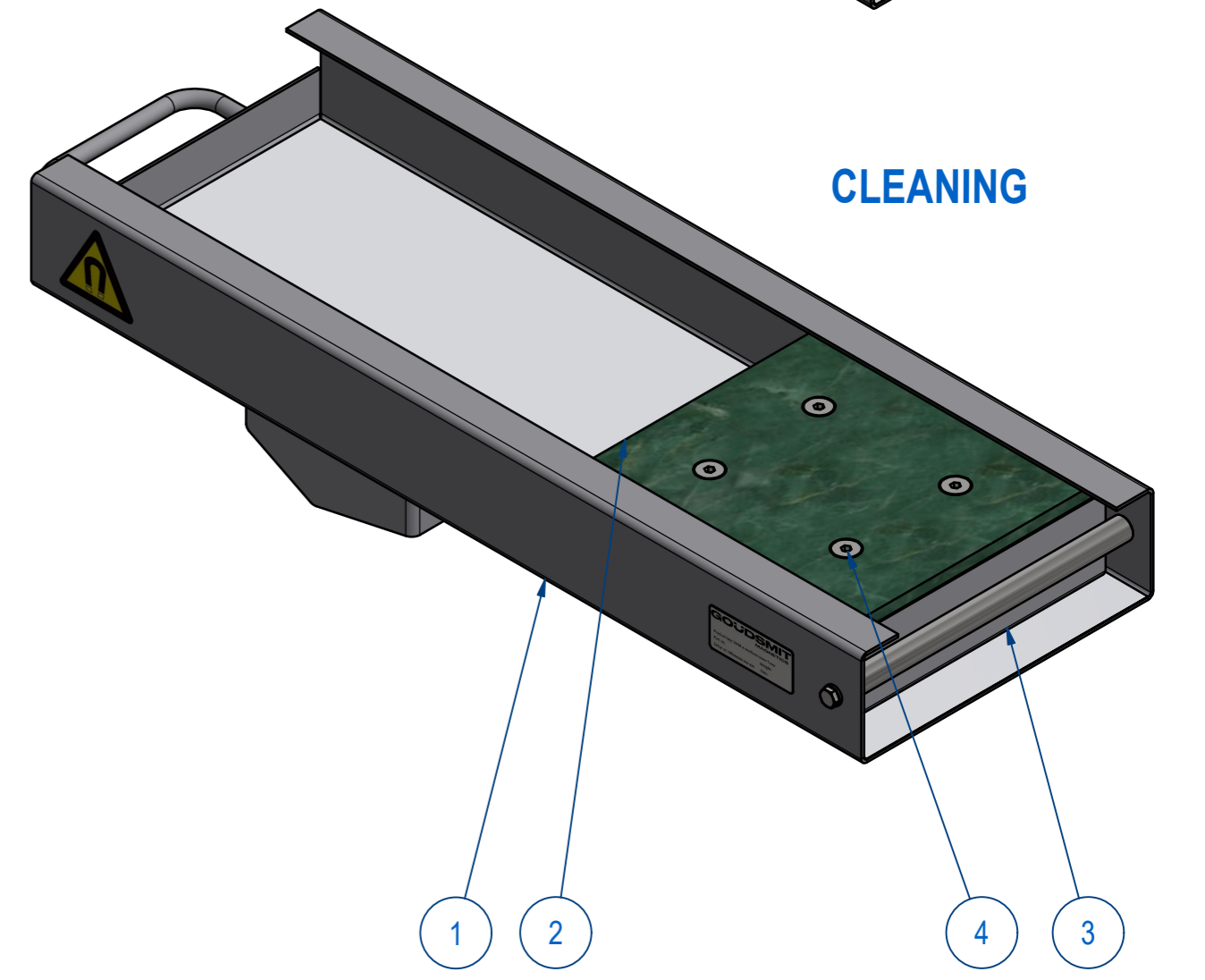
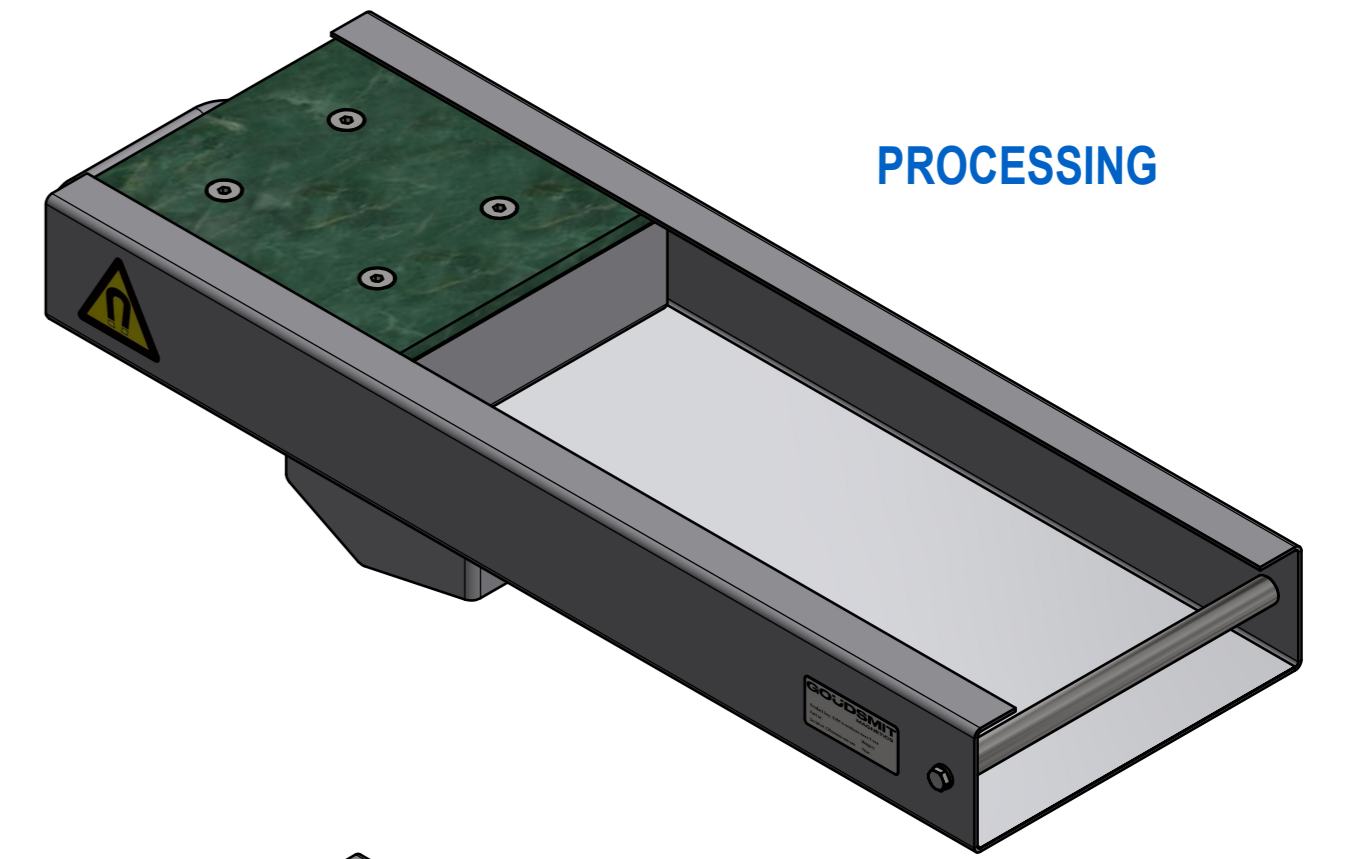
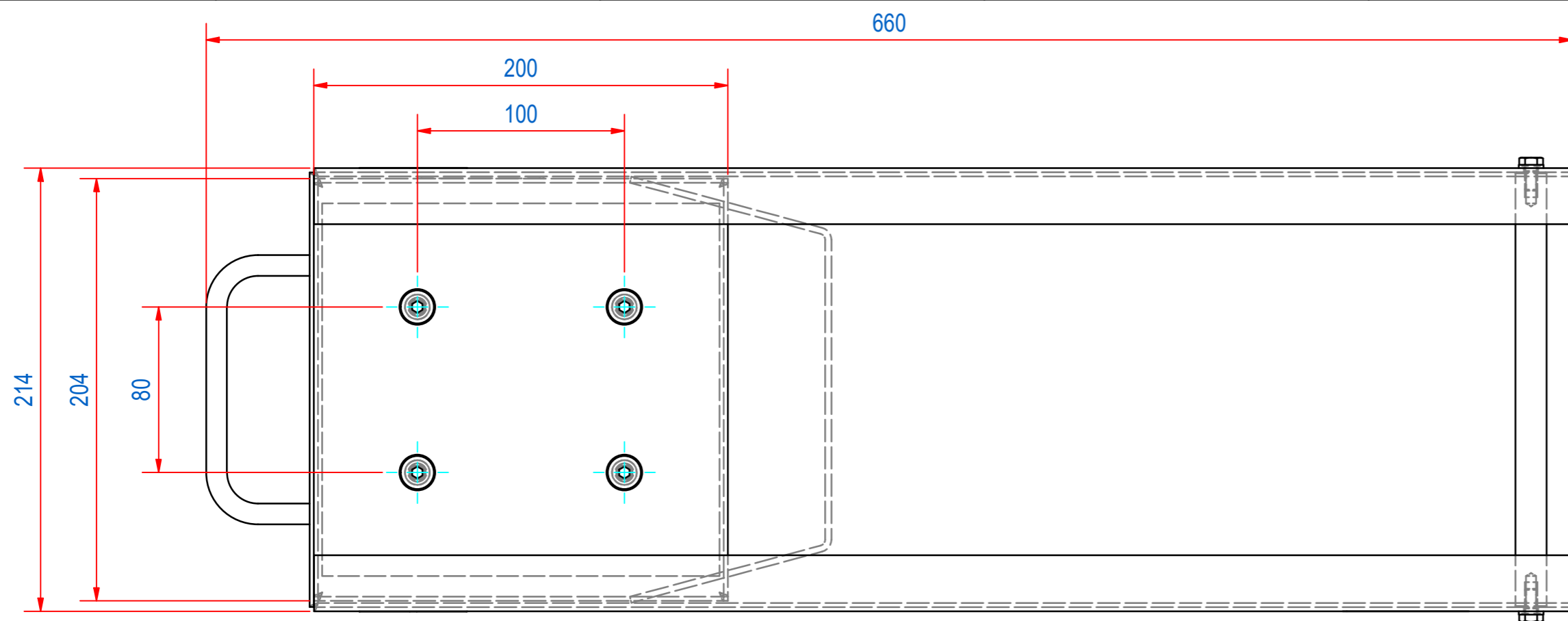
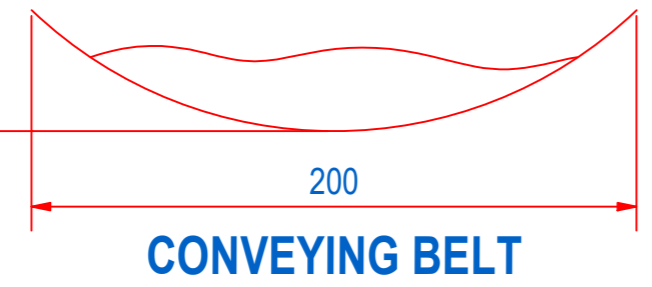


| REV | DATE | BY | DESCRIPTION |
|-----|-----------|----|-------------------------------------|
| - | 2-4-2019 | CR | REFERENCE DRAWING SEVN010660 |
| A | 29-7-2022 | CR | COMPLETELY AISI316L AND BOM CHANGED |

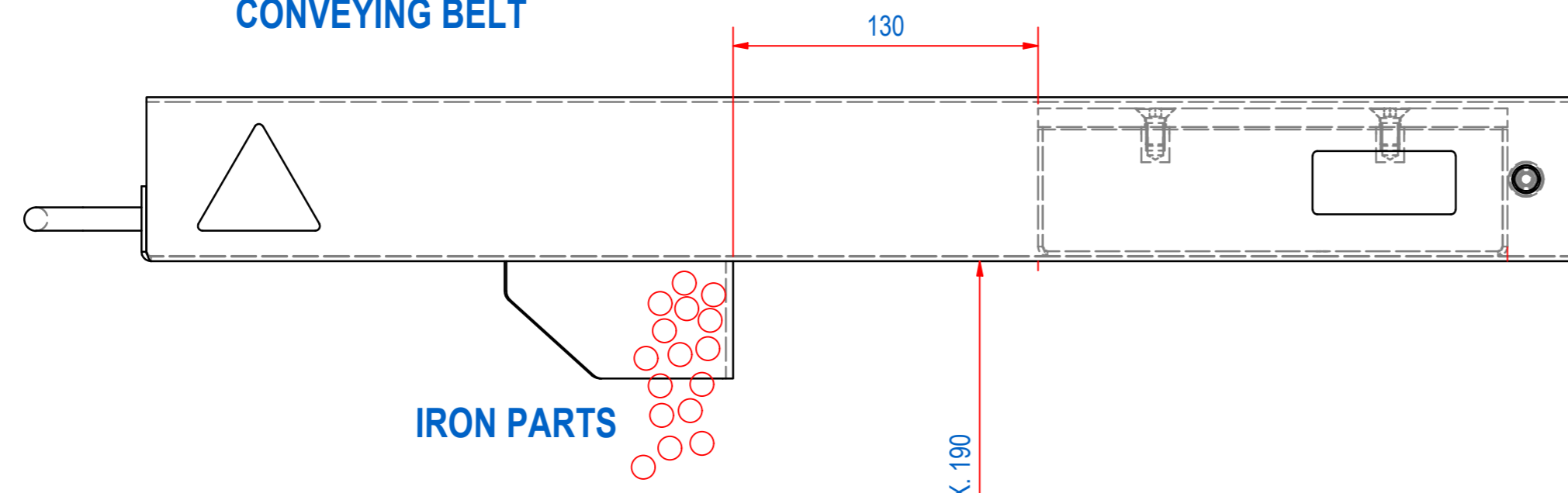


PROCESSING

IRON PARTS

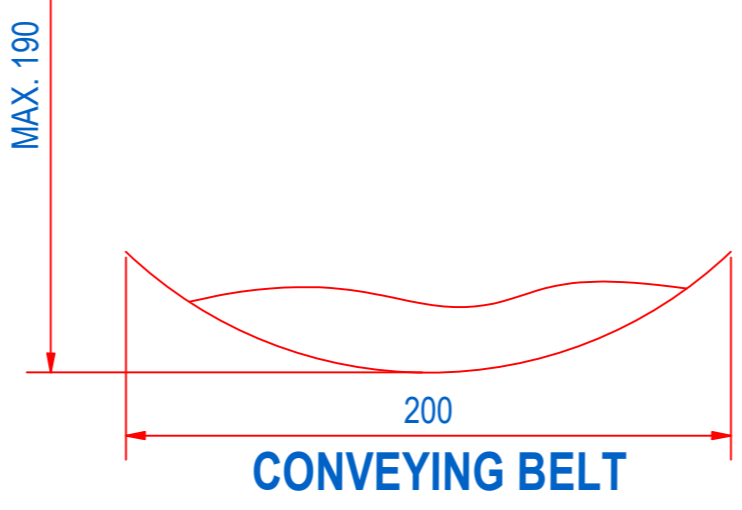


CONVEYING BELT



CLEANING

IRON PARTS



CONVEYING BELT

| ITEM | QTY | PART NUMBER | DESCRIPTION | Dimensions | |
|-------------------|----------|--------------------------------------|------------------------------|---|------------|
| 4 | 4 | 52.0308016 | SCREW, HEX S CS M8x16 - A4 | M8x16 | |
| 3 | 1 | SVMN020200 | SVM-N-204x55-0200-B-F1M | | |
| 2 | 1 | E0083230 | SVM-200 GUIDANCE STRIP L=200 | | |
| 1 | 1 | E0153430 | SVM-200 EXTRACTOR TRAY ASSY | | |
| RAW MAT. | Quantity | Material Number | Material Description | Length (mm) | Width (mm) |
| | 1 | | | | |
| Sheet: A2 | | Extra info: | | General tolerance: ISO 2768- mK | |
| Drawn: CR | | Weight (kg): 18 | | Drawn according: ISO268; ISO1101; ISO2553 | |
| Date: 5-7-2019 | | Status: Released | | Customer reference number: | |
| Spare part: False | | Source: | | Document number: E0083233 | |
| Quick search: | | Description: SVM-N-204x55-0200-T-F1M | | Doc.Rev: A | |
| | | | | Part number: E0083233 | |
| | | | | Rev: A | |