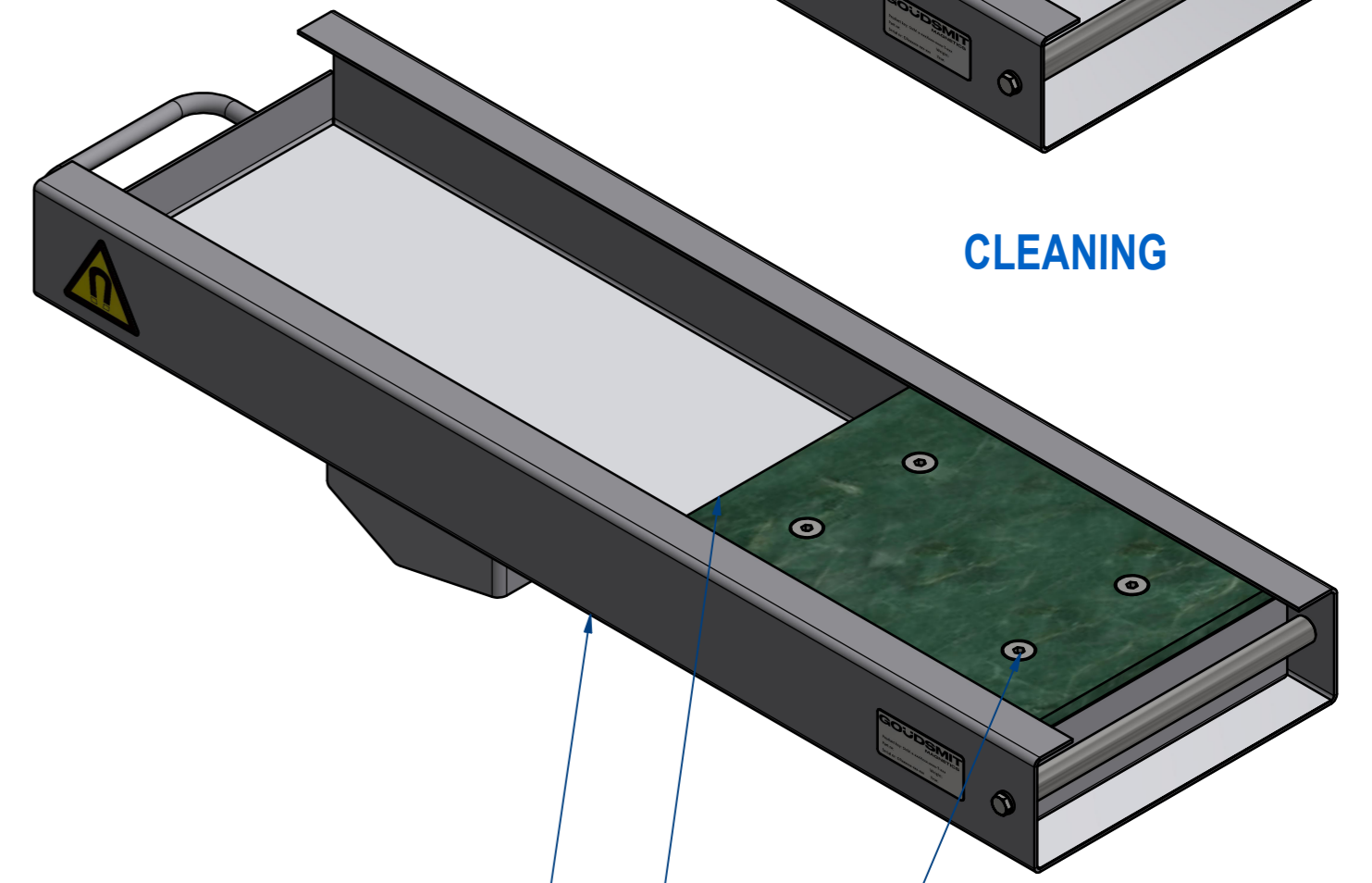
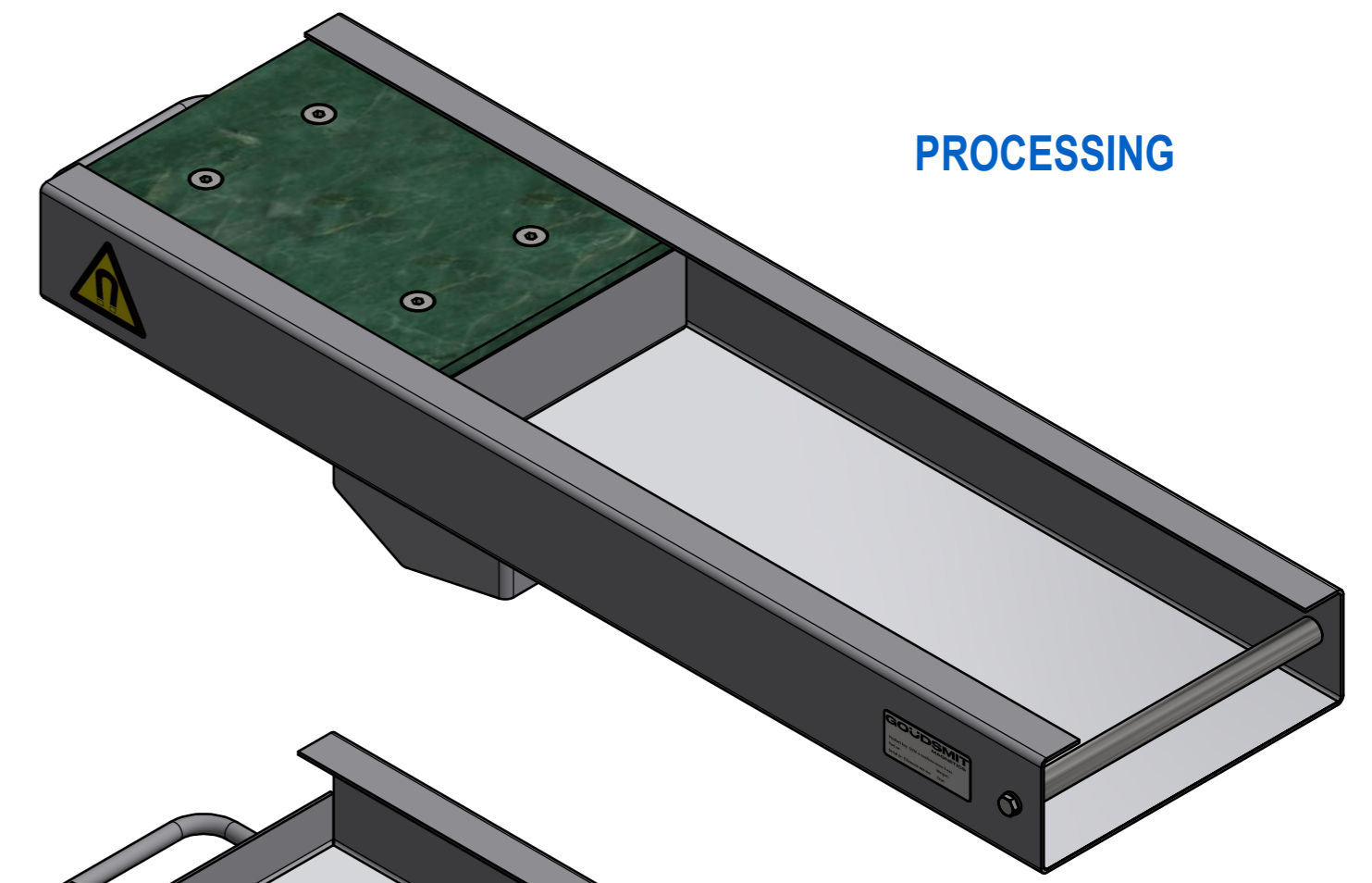
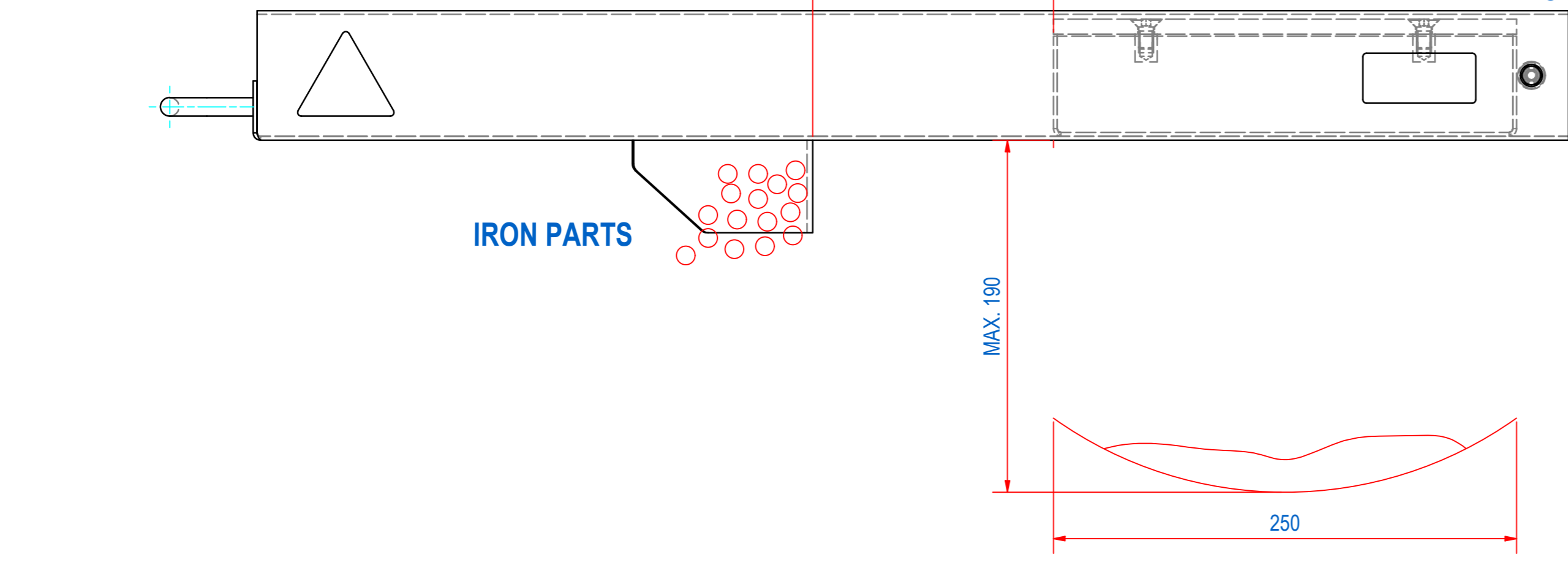
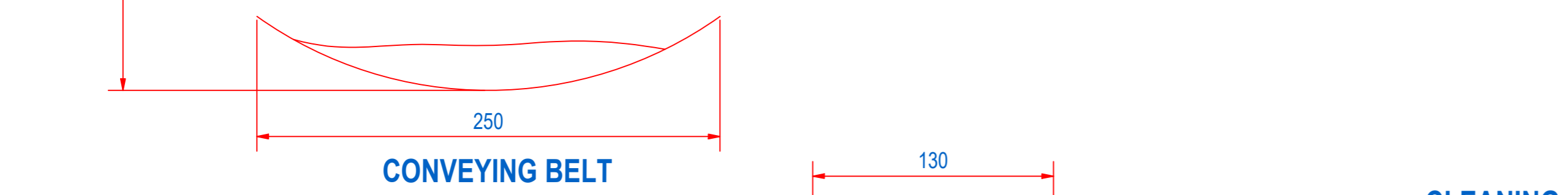
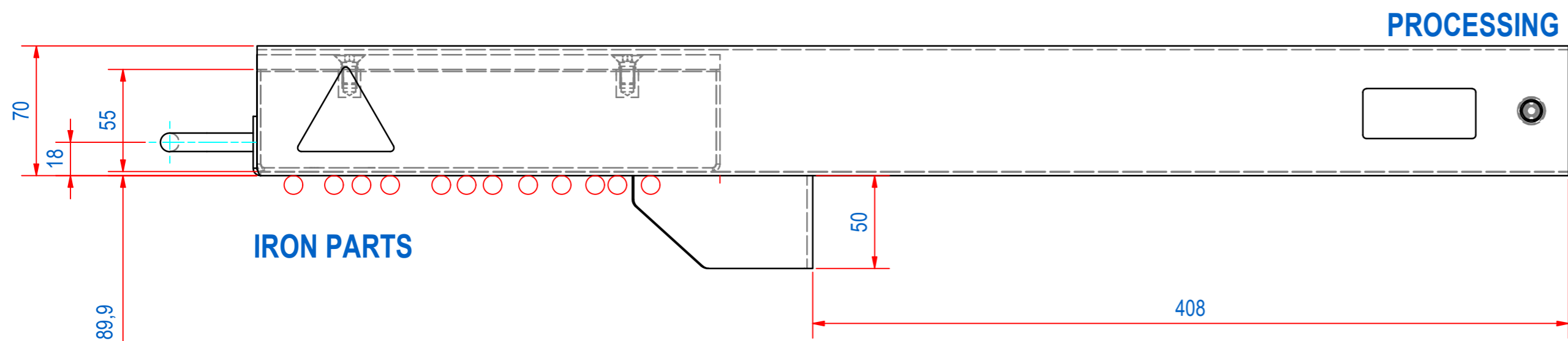
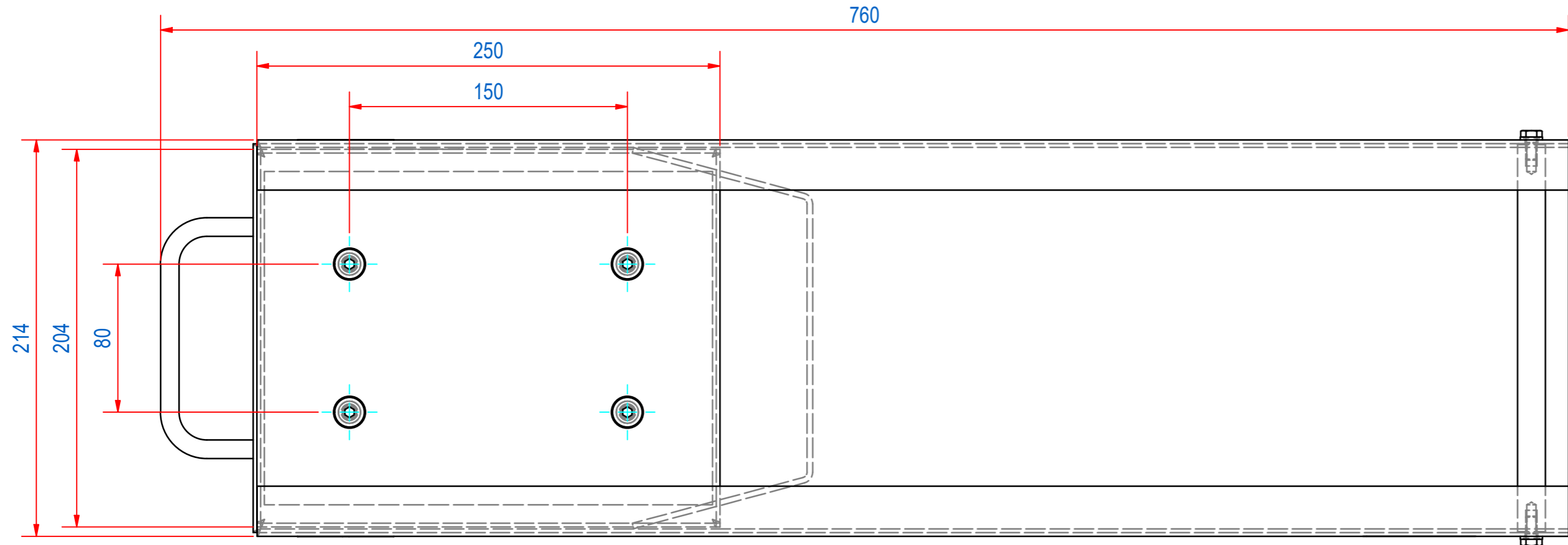


REV	DATE	BY	DESCRIPTION
-	2-4-2019	CR	REFERENCE DRAWING SEVN010660
A	29-7-2022	CR	COMPLETELY AISI316L AND BOM CHANGED



- 1
- 2
- 4

ITEM	QTY	PART NUMBER	DESCRIPTION	Dimensions	
4	4	52.0308016	SCREW, HEX S CS M8x16 - A4	M8x16	
3	1	SVMN020250	SVM-N-204x55-0250-B-F1M		
2	1	E0083296	SVM-250 GUIDANCE STRIP L=250		
1	1	E0153435	SVM-250 EXTRACTOR TRAY ASSY		
RAW MAT.	Quantity	Material Number	Material Description	Length (mm)	Width (mm)
	1				
Sheet: A2		Extra info:		General tolerance: ISO 2768 - mK	
Drawn: CR		Weight (kg): 22		Drawn according: ISO268; ISO1101; ISO2553	
Date: 5-7-2019				Status: Released	
Spare part: False		Source:		Customer reference number:	
Quick search:		© All rights reserved. Reproduction is not permitted without written permission of GOUDSMIT Magnetic Systems BV		Document number: E0083298 Doc.Rev: A	
Description: SVM-N-204x55-0250-T-F1M		Part number: E0083298		Rev: A	