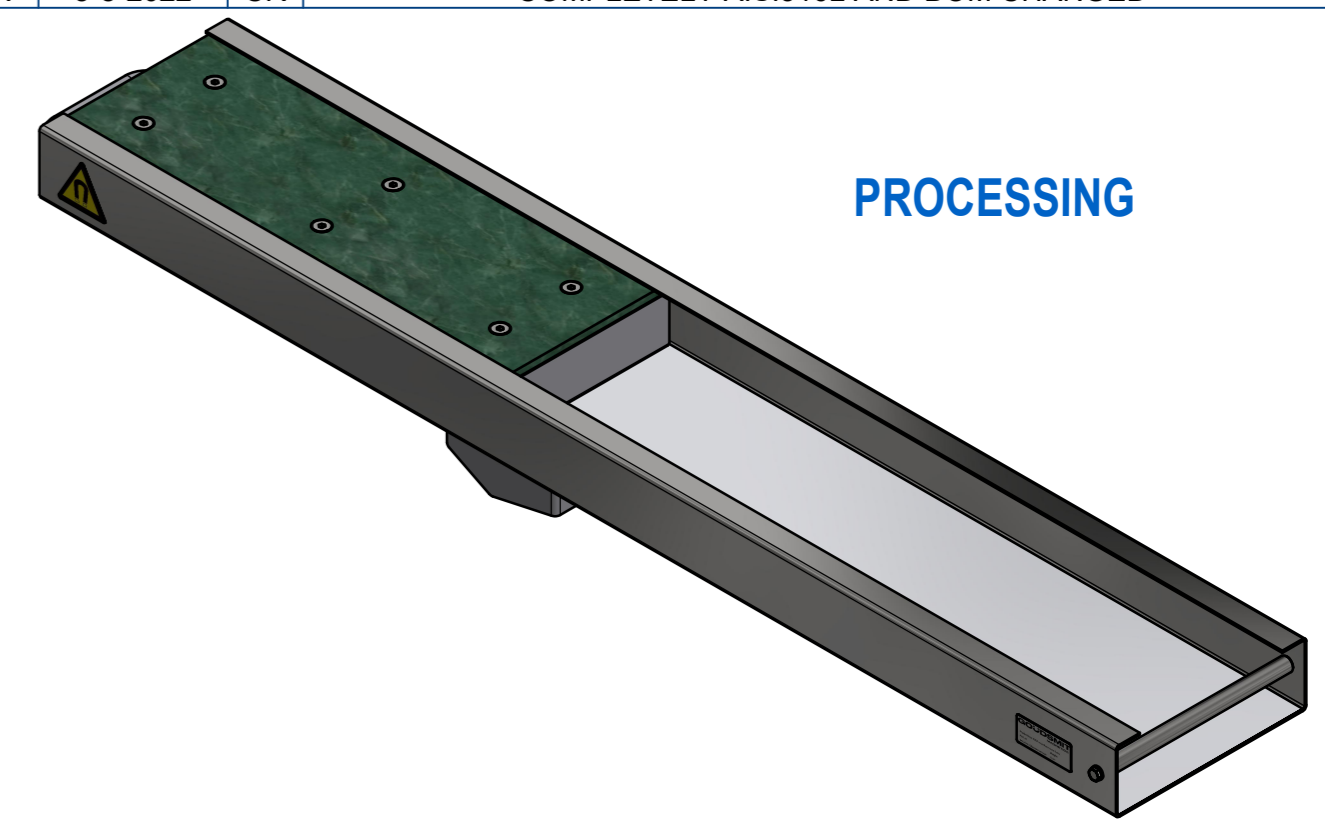
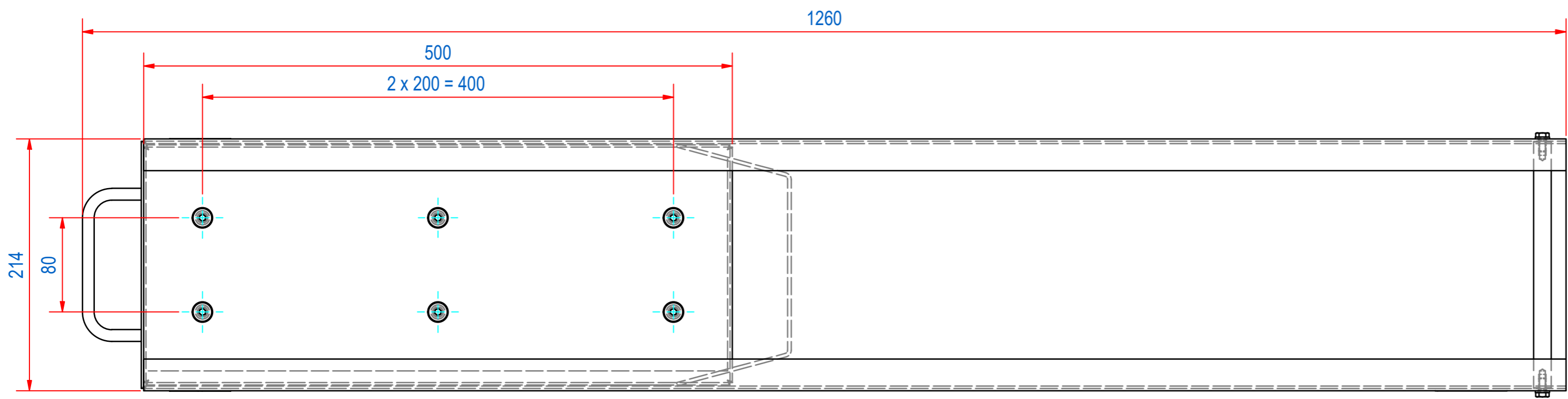
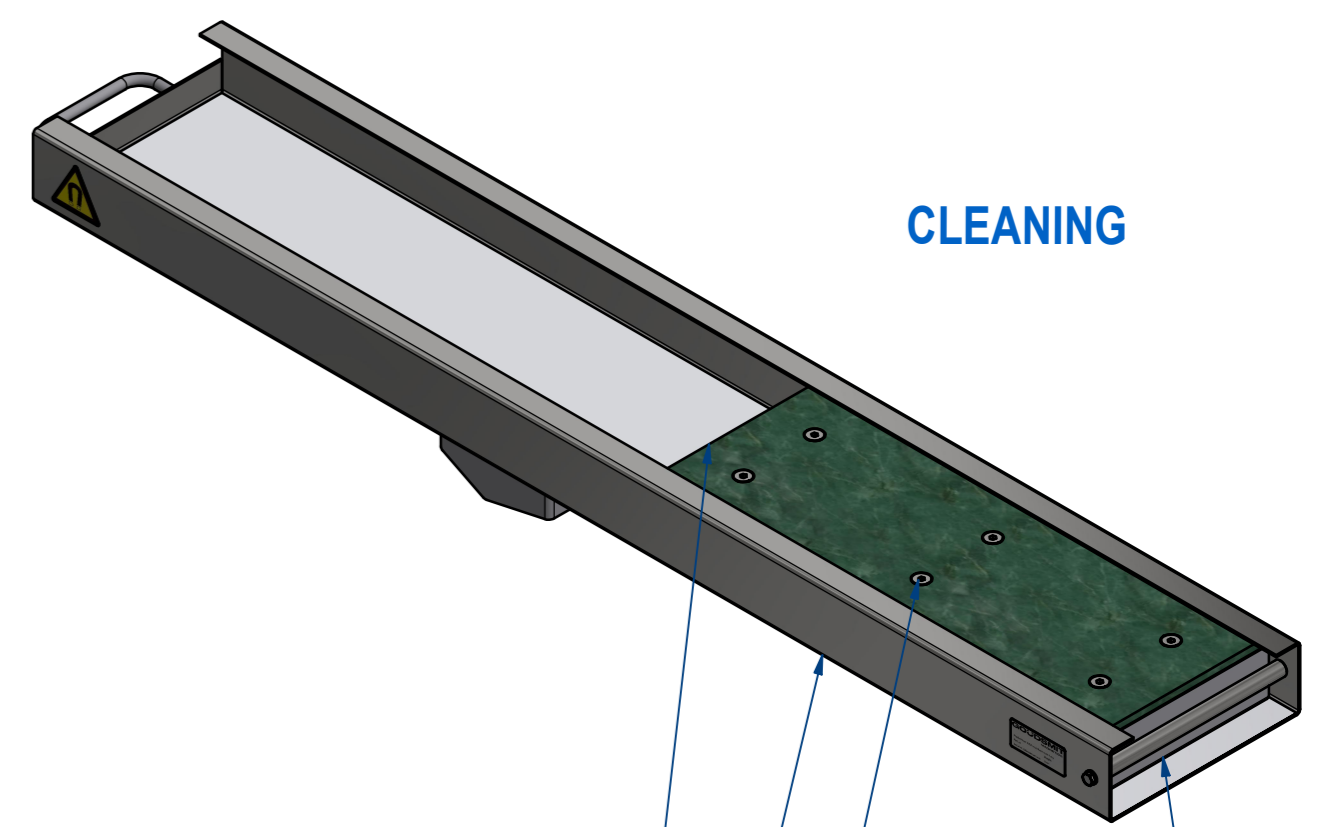
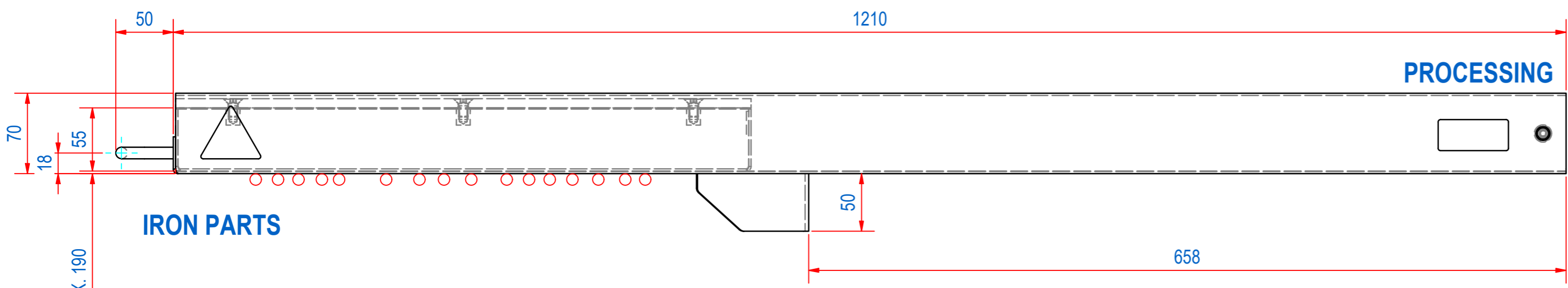


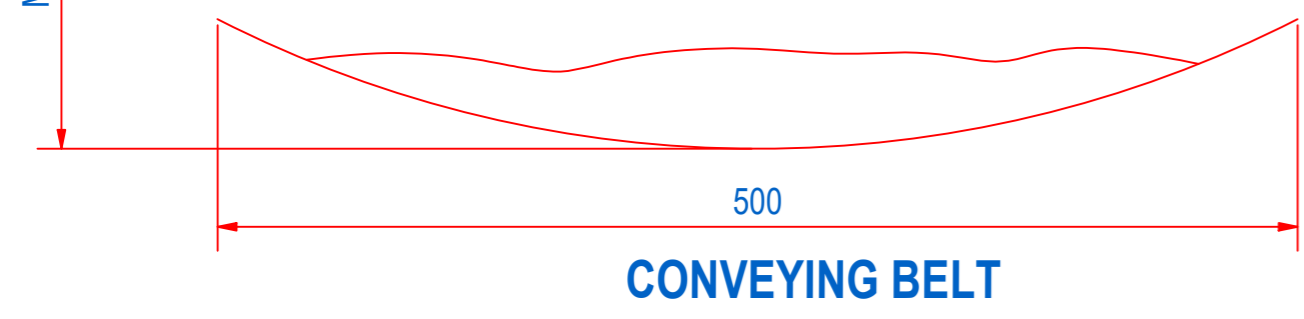
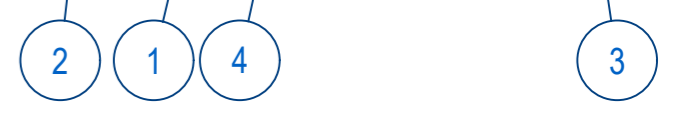
REV	DATE	BY	DESCRIPTION
-	2-4-2019	CR	REFERENCE DRAWING SEVN010660
A	5-8-2022	CR	COMPLETELY AISI316L AND BOM CHANGED



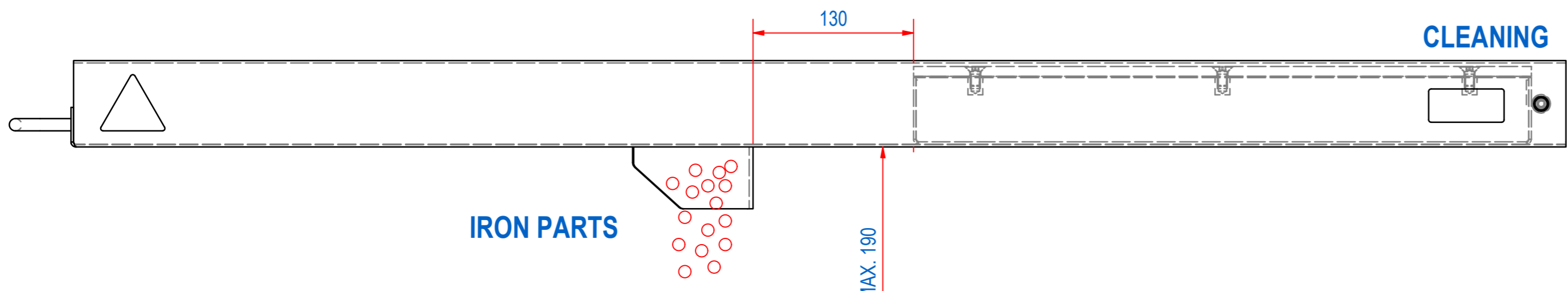
PROCESSING



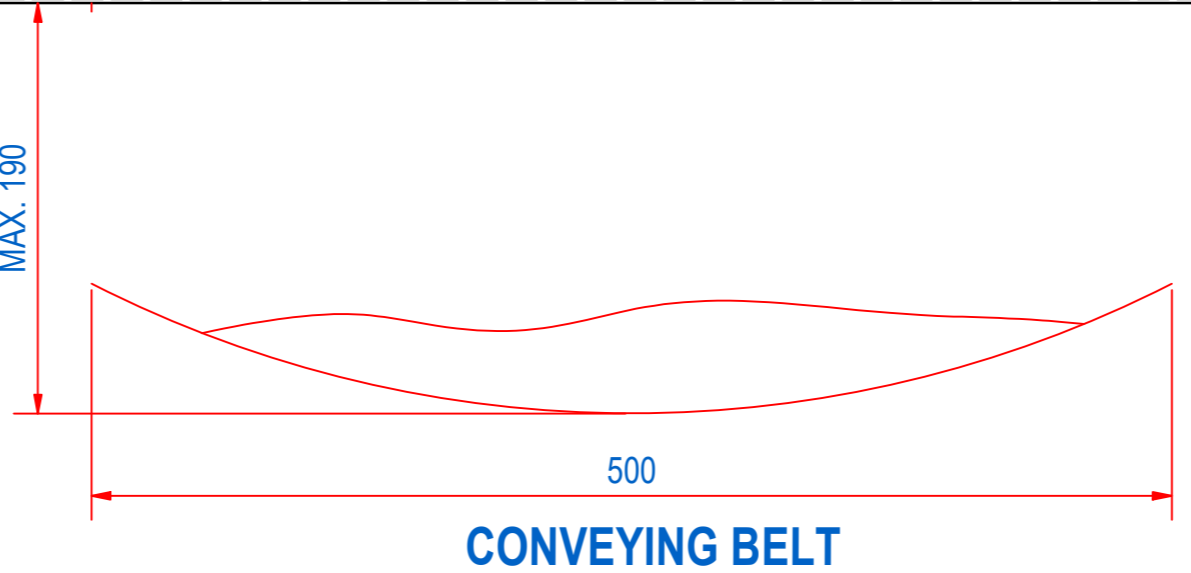
CLEANING



CONVEYING BELT




CLEANING



CONVEYING BELT

ITEM	QTY	PART NUMBER	DESCRIPTION	Dimensions
4	6	52.0308016	SCREW, HEX S CS M8x16 - A4	M8x16
3	1	SVMN020500	SVM-N-204x55-0500-B-F1M	
2	1	E0083352	SVM-500 GUIDANCE STRIP L=500	
1	1	E0153451	SVM-500 EXTRACTOR TRAY ASSY	

RAW MAT.	Quantity	Material Number	Material Description	Length (mm)	Width (mm)
⊕	1				

Sheet: A2	Extra info:	General tolerance: ISO 2768 - mK
Drawn: CR	Weight (kg): 42	Drawn according: ISO268; ISO1101; ISO2553
Date: 8-7-2019		Status: Released
Spare part: False	Source: MC-C	Customer reference number:
Quick search: SVMN-500		
Description: SVM-N-204x55-0500-T-F1M	Document number: E0083350	Doc.Rev: A
	Part number: E0083350	Rev: A