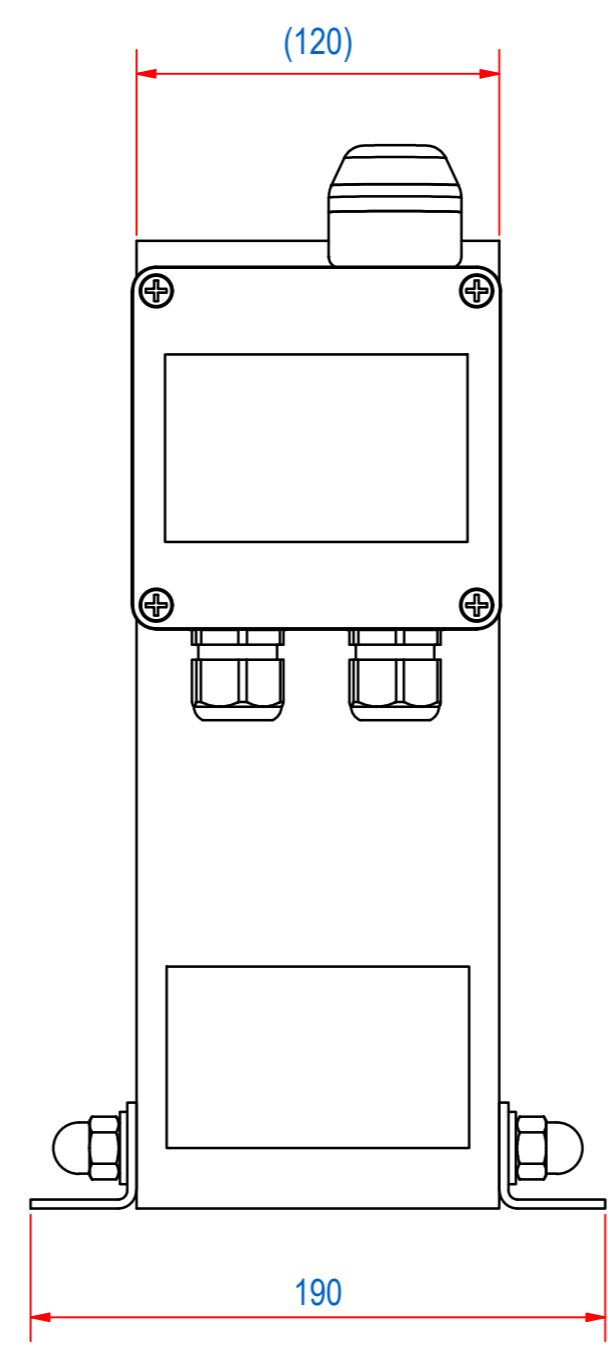
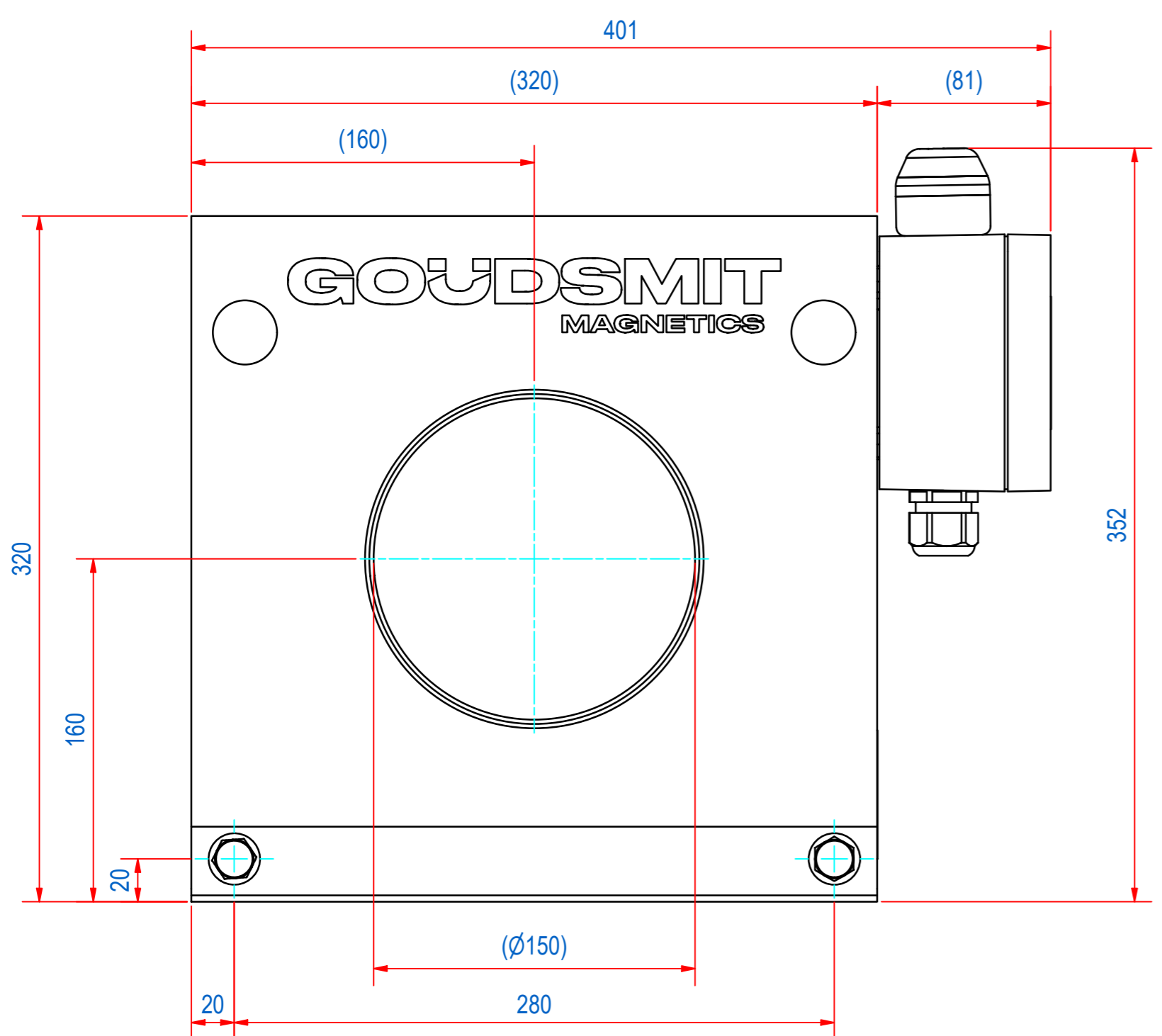
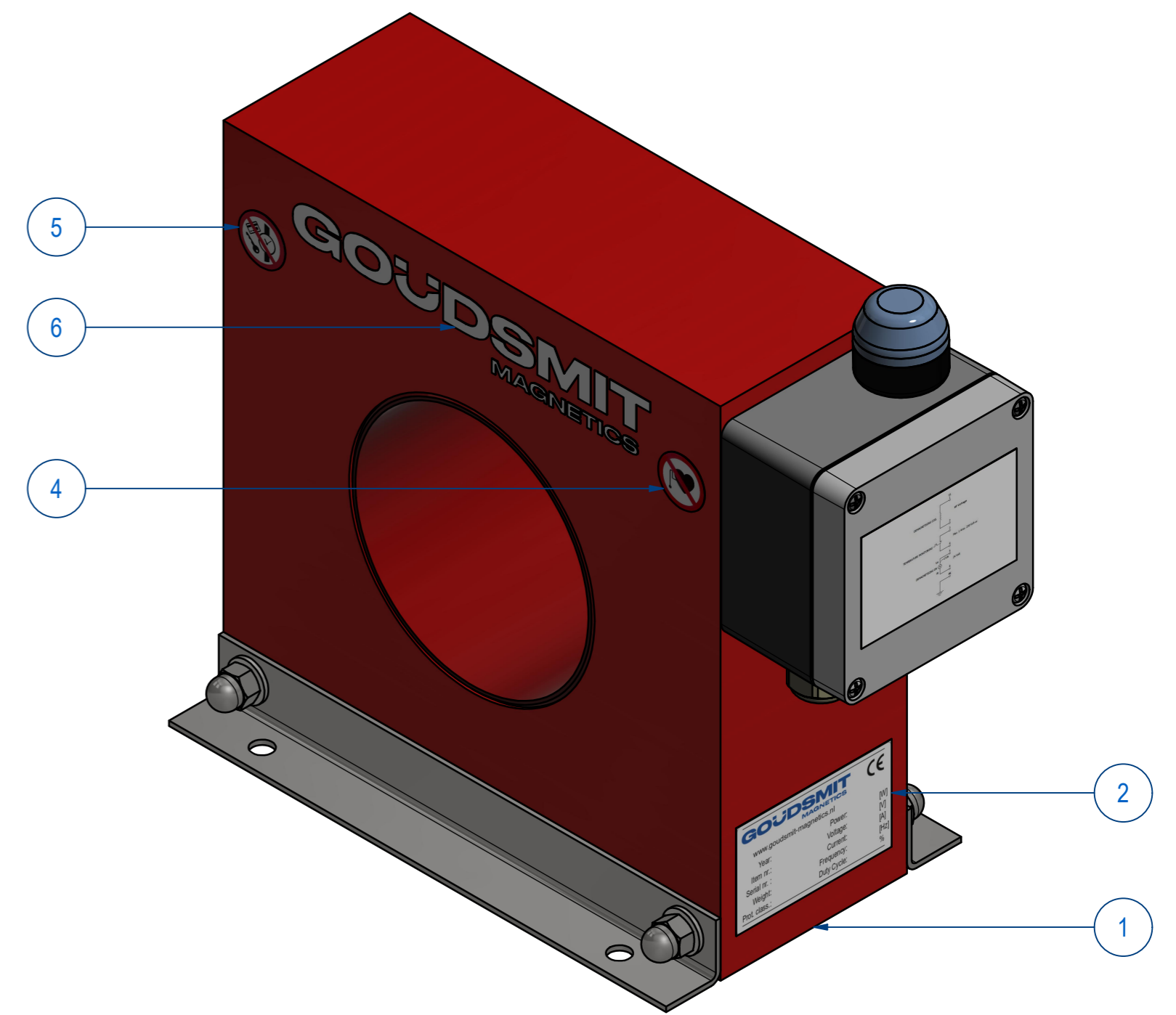
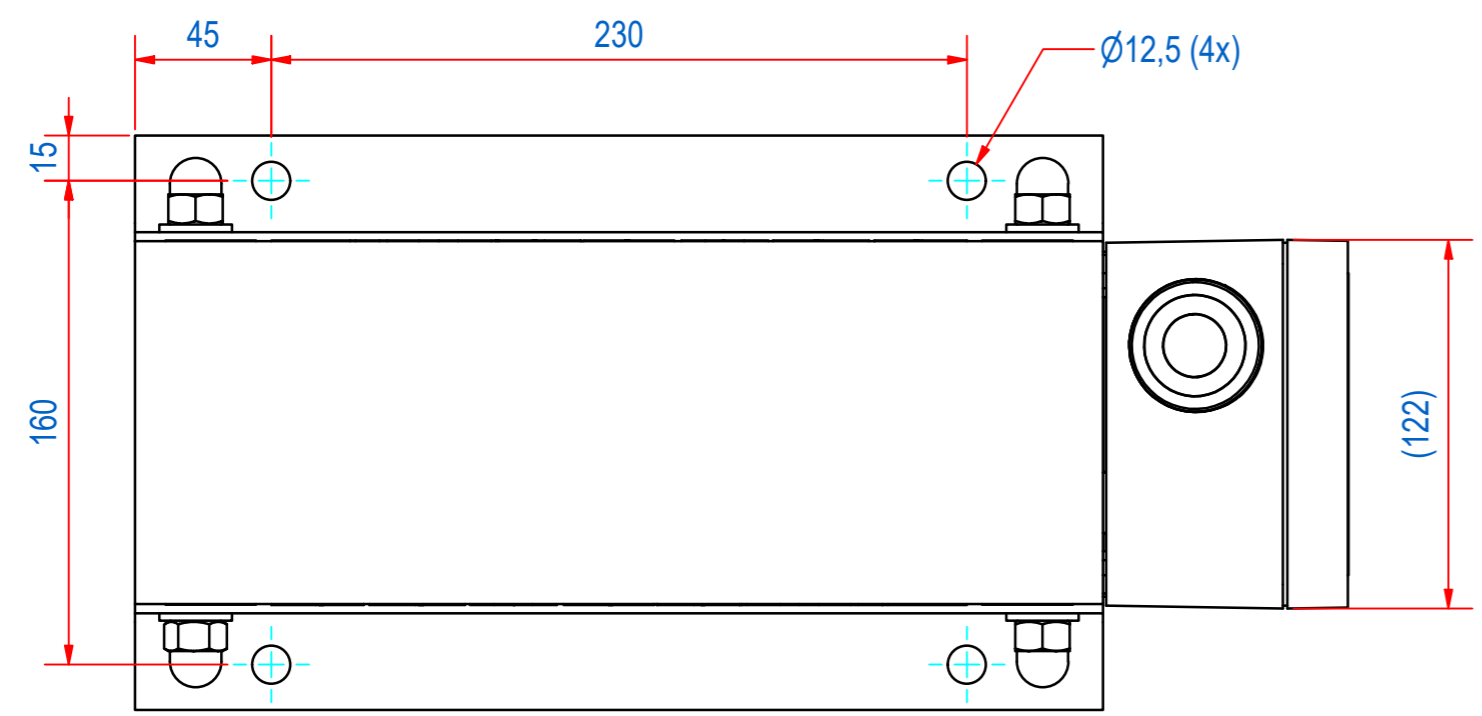


REV	DATE	BY	DESCRIPTION
-	2-10-2017	PV	REFERENCE DRAWING WAS EDTD015001
A	19-1-2023	TT	CONNECTION BOX REPLACED
B	14-3-2023	DK	NUMBER OF HOLES Ø12.5 WAS 8x



ITEM	QTY	PART NUMBER	DESCRIPTION	Dimensions
6	2	E0125602	STICKER GOUDSMIT W230 H35	
5	2	1000.20019	STICKER ARTICLES FORBID D30	
4	2	1000.20020	STICKER PACEMAKER FORBID. D=30	
2	1	P190179	HDTU-STICKER DEMAG. TUNNEL	
1	1	E0083510	HDTU-DEMAG. ASSEMBLY	
RAW MAT.	1			1,000 mm   1,000 mm
Quantity		Material Number	Material Description	Length (mm)   Width (mm)
Sheet: A2		Extra info: DEMAG TUNNEL 1200VA		General tolerance: ISO 2768- mK
Drawn: PV		Weight (kg): 38		Drawn according: ISO268; ISO1101; ISO2553
Date: 2-10-2017		Source: MC-C		Status: Standard
Spare part: False		Quick search: EDTD15		Customer reference number:
Description: HDTU-H-O-D0150-230V-B		© All rights reserved. Reproduction is not permitted without written permission of GOUDSMIT Magnetic Systems BV		Document number: E0083508   Doc.Rev: B
		Part number: E0083508		Rev: B