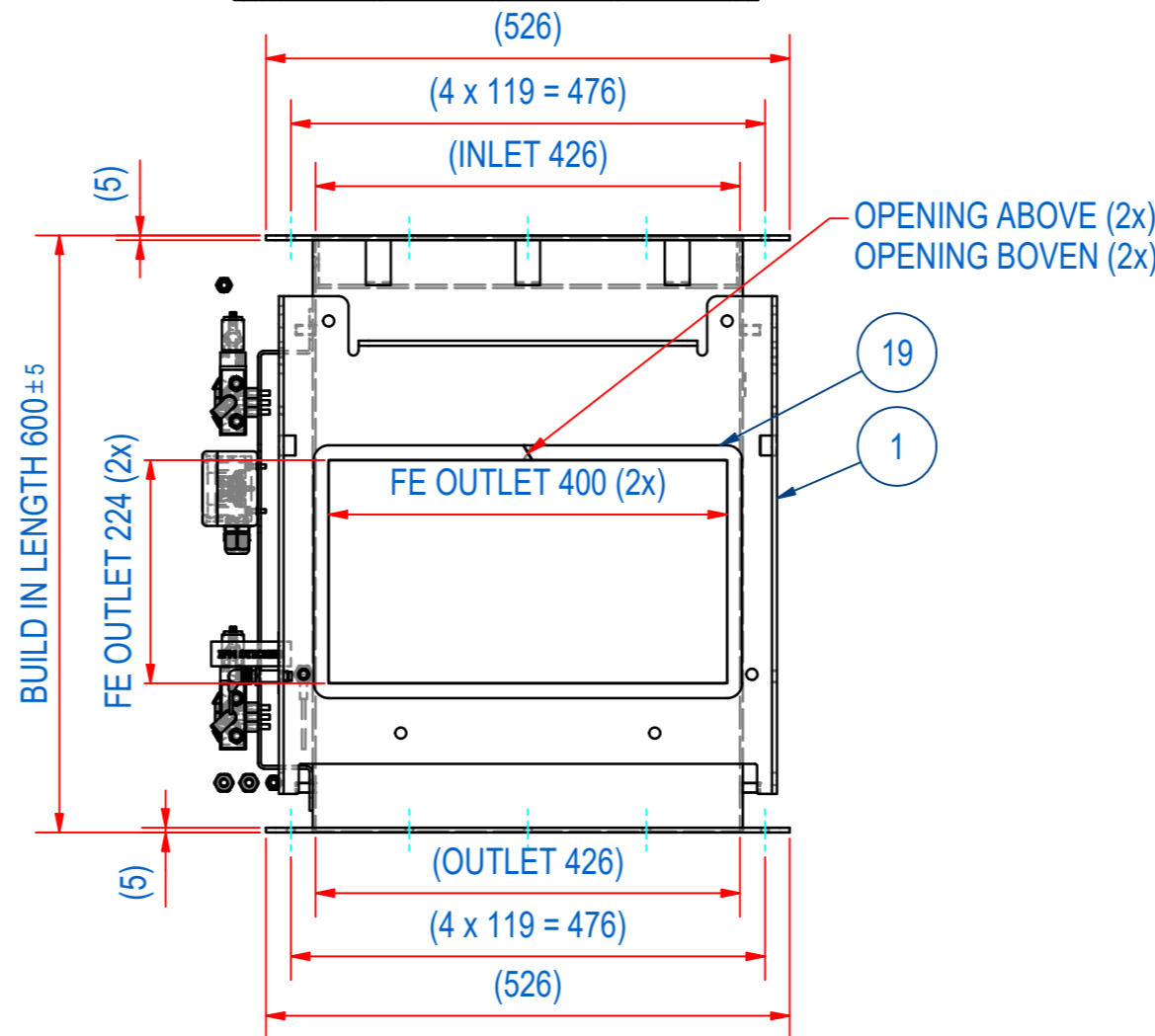
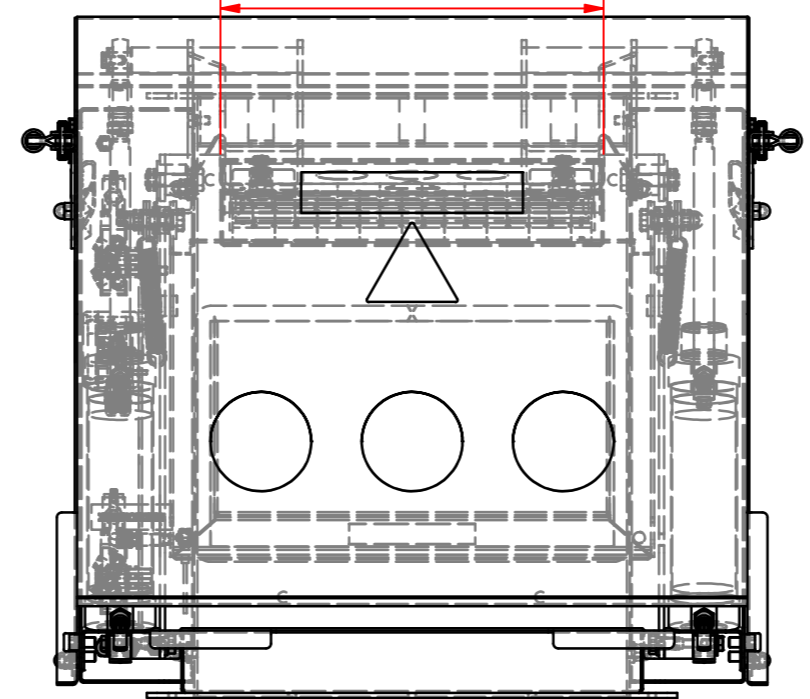
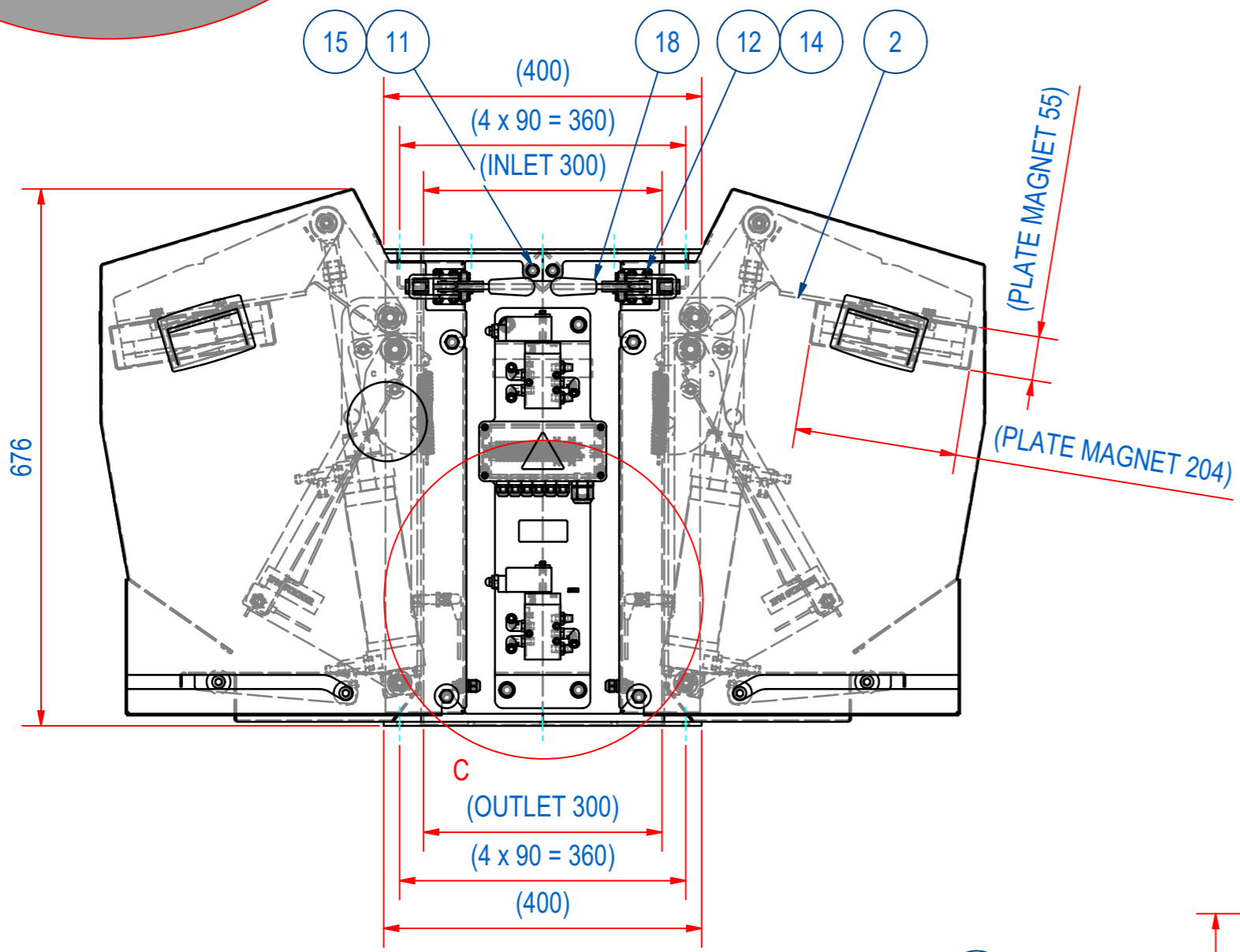
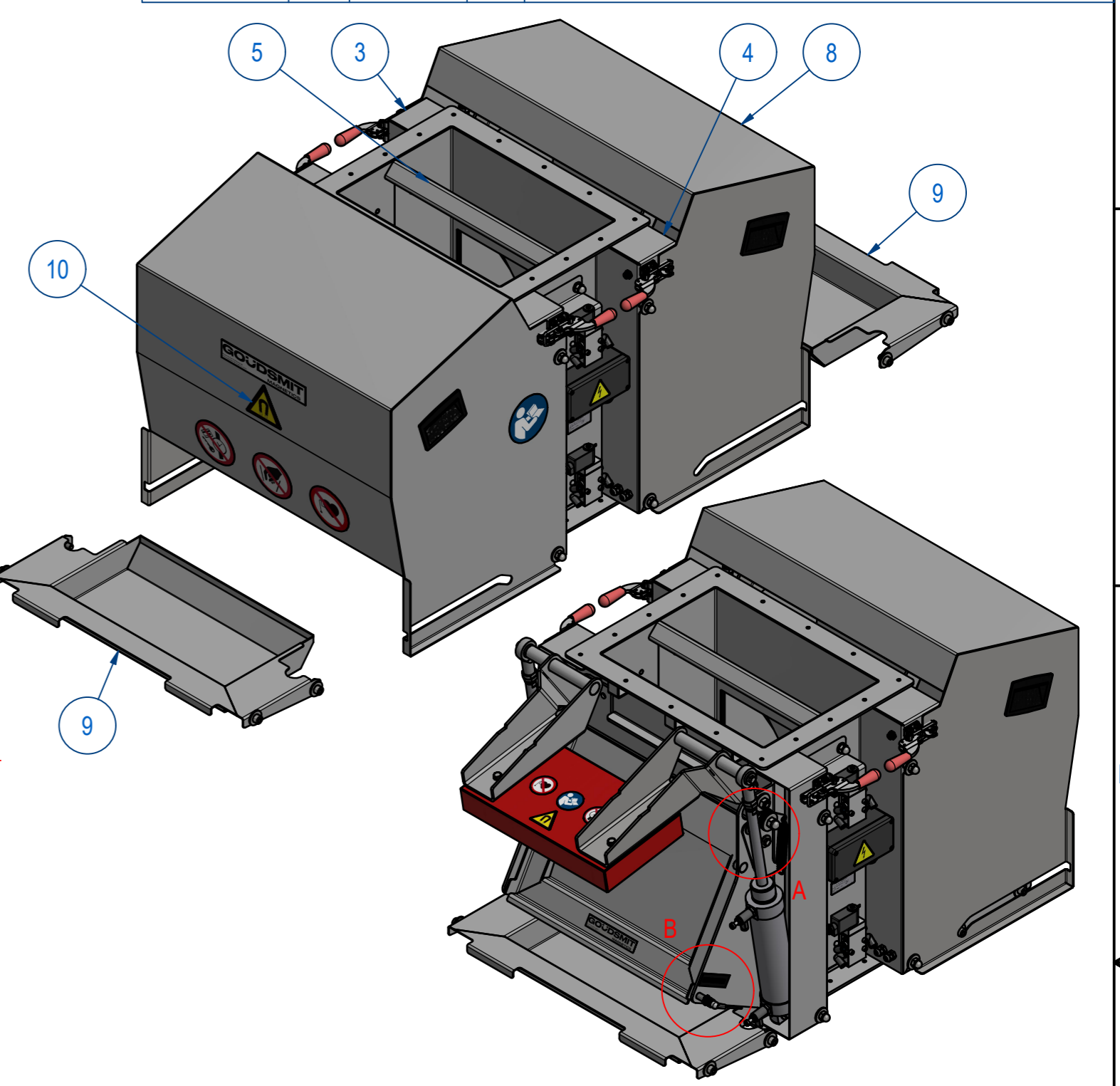
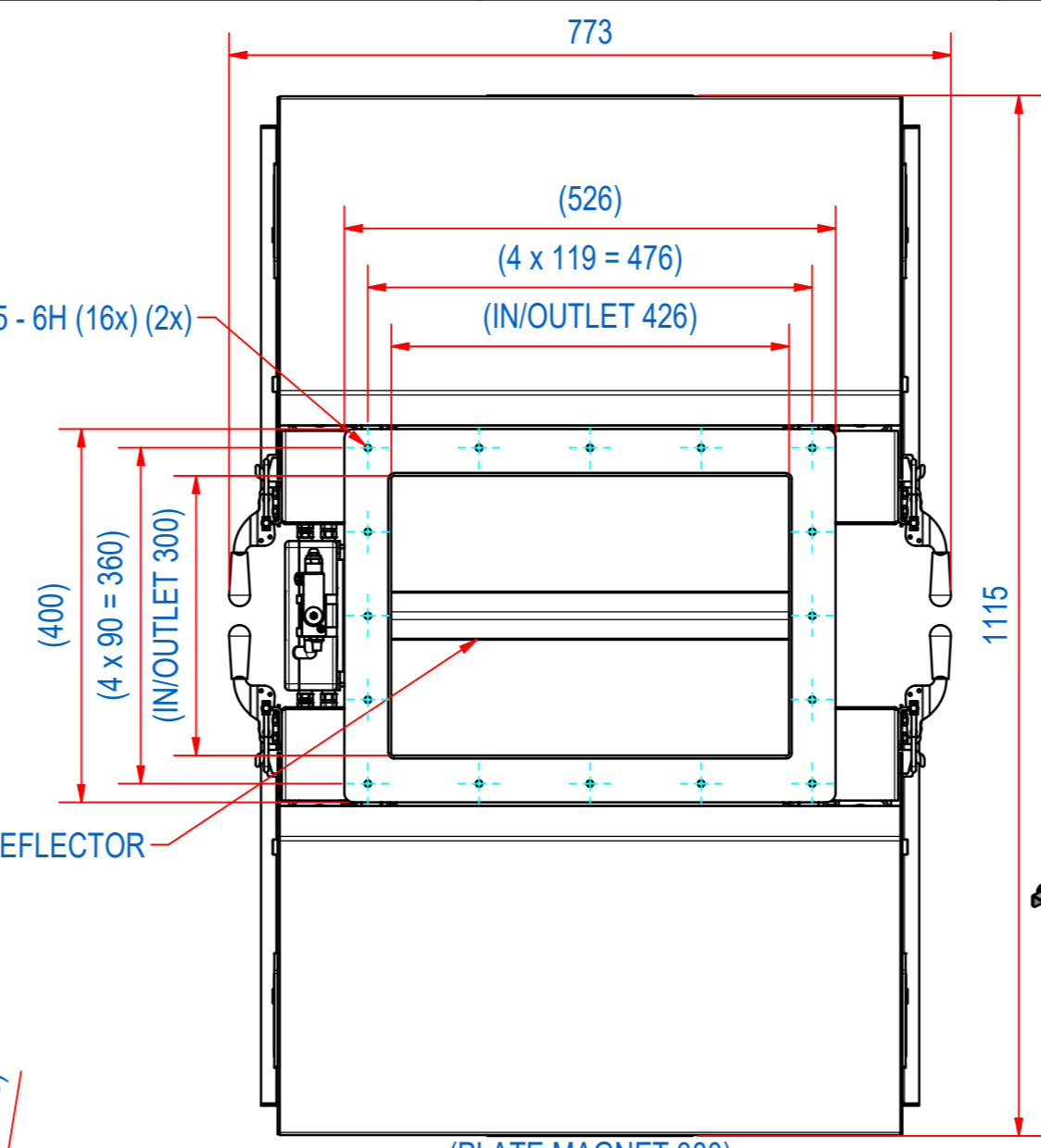
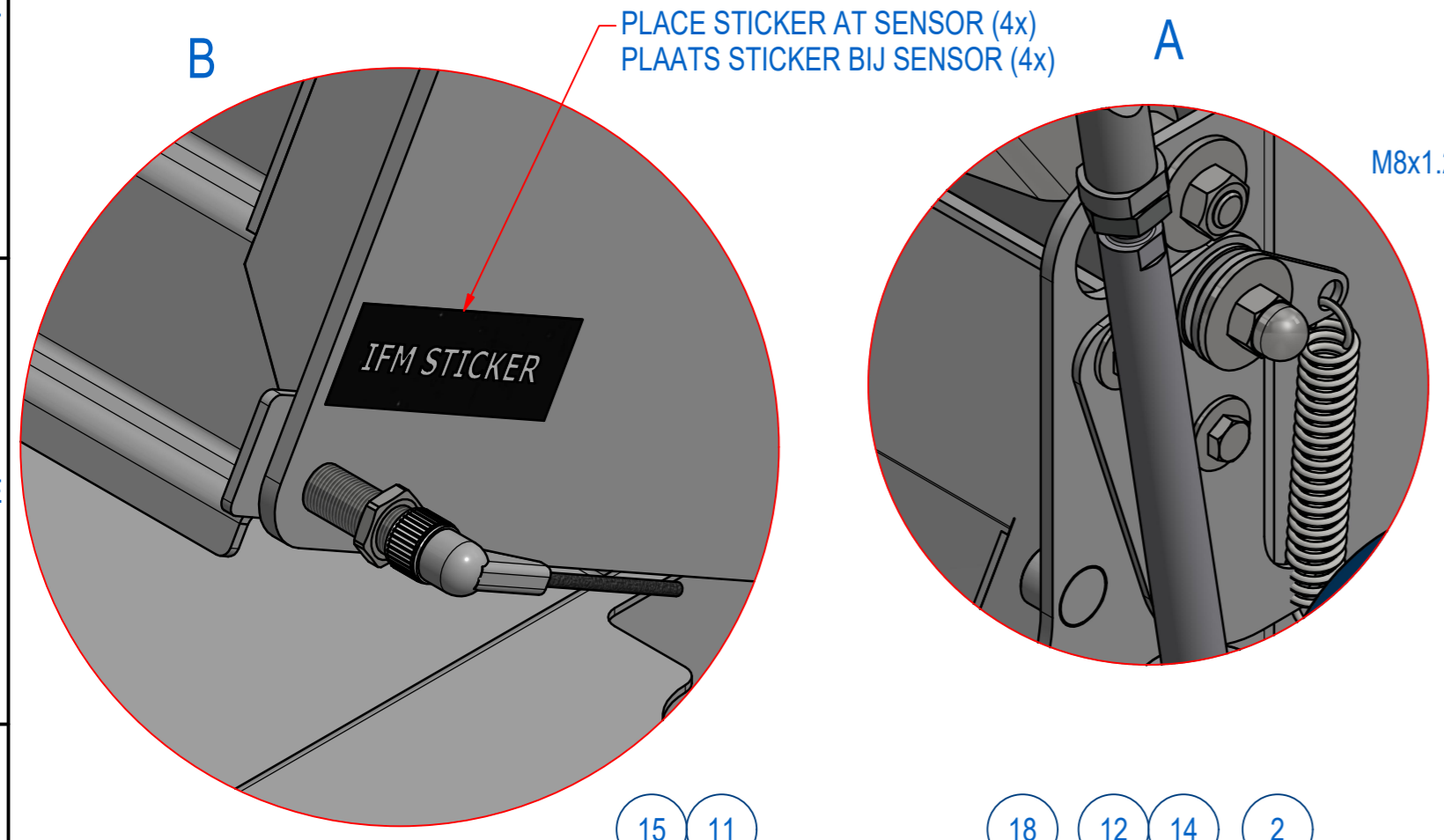


DOC.NR.	REV	DATE	BY	DESCRIPTION
E0102163	-	18-9-2018	AvD	REFERENCE DRAWING E0098264
E0102164	A	15-2-2022	CR	BOM CHANGED
E0102164	B	27-11-2023	CR	MC-C SOURCE CODE AND WARNING STICKERS ADDED



19	2	E0129907	SBPA-S GASKET FOR VMN22-400 WHITE	
18	4	1003.10006	QUICK ACTING CLAMP 331-SS	
17	8	70.8300010	WASHER 3xd M10x30 - A4	M10x30
16	8	70.0300010	WASHER M10 - A4	M10
15	4	70.0300008	WASHER M8 - A4	M8
14	16	70.0300006	WASHER M6 - A4	M6
13	16	60.3300010	NUT, HEX CAP M10 - A4	M10
12	16	60.0300006	NUT, HEX M6 - A4	M6
11	4	50.1308016	BOLT, HEX M8x16-A4	M8 x 16
10	1	E0149152	SBPA-000 WARNING STICKERS	
9	2	E0150131	SPBA-0400 COLLECTOR TRAY	
8	2	E0150132	SBPA-0400 COVER	
7	1	E0149151	SBPA-000 CONTROL UNIT EX I13GD	
6	1	E0154524	SBPA-TYPE PLATE Ex 1/3D	
5	1	E0102179	SBPA-S-0400 DEFLECTOR 40x40	
4	1	E0119946	SBPA-SUPPORT PLATE CHUTE WELD ASSY	
3	1	E0119970	SBPA-ASSY SUPPORT PLATE CHUTE	
2	2	E0102181	SCHZ-P-N-204x55-0400-B-B-B	
1	1	E0102177	SBPA-4330 HOUSE CHUTE	

ITEM	QTY	PART NUMBER	DESCRIPTION	Dimensions
RAW MAT.	1			
Quantity		Material Number	Material Description	Length (mm) Width (mm)
Sheet: A2		Extra info: CHUTE MAGNET		General tolerance: ISO 2768 - mK
Drawn: AvD		Weight (kg): 205		Drawn according: ISO286; ISO1101; ISO2553
Date: 18-9-2018		D63 CILINDERS + SPRINGS		Status: Standard
Spare part: False		Source: MC-C		Customer reference number:
Quick search: SBPA-0400		GOUDSMIT MAGNETICS		Document number: E0102164 Doc.Rev: B
Description: SBPA-4330-N-F1E-B-D3		© All rights reserved. Reproduction is not permitted without written permission of GOUDSMIT Magnetic Systems BV		Part number: E0102164 Rev: B