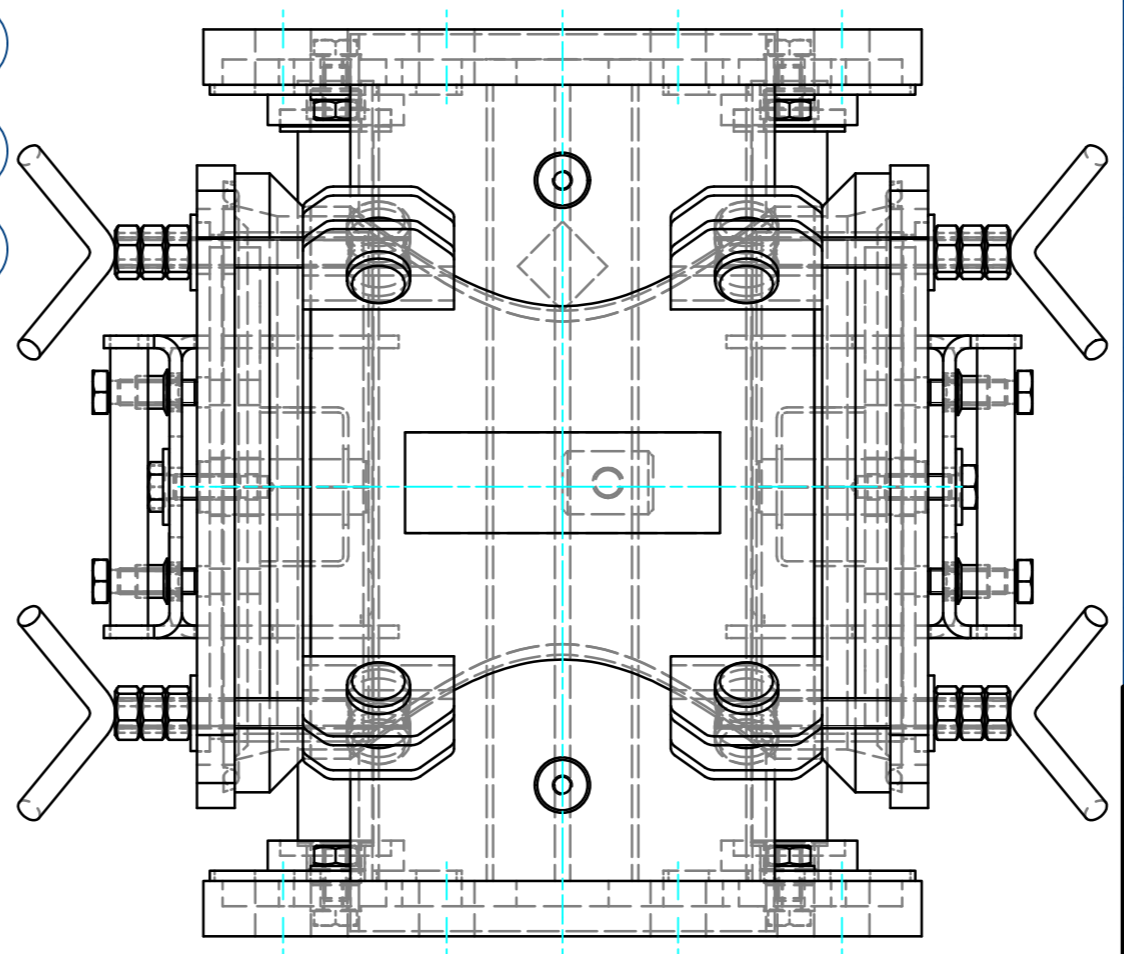
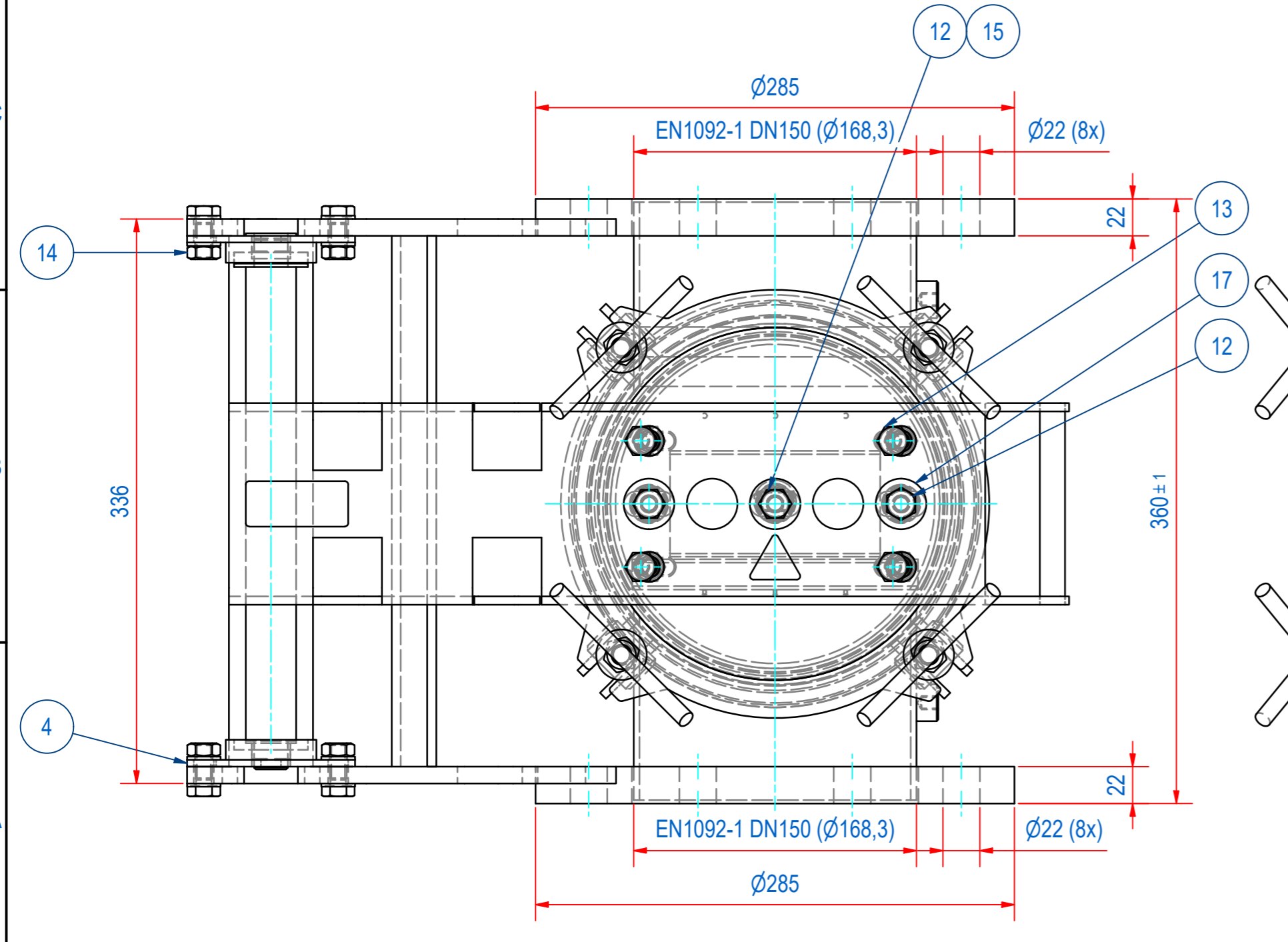
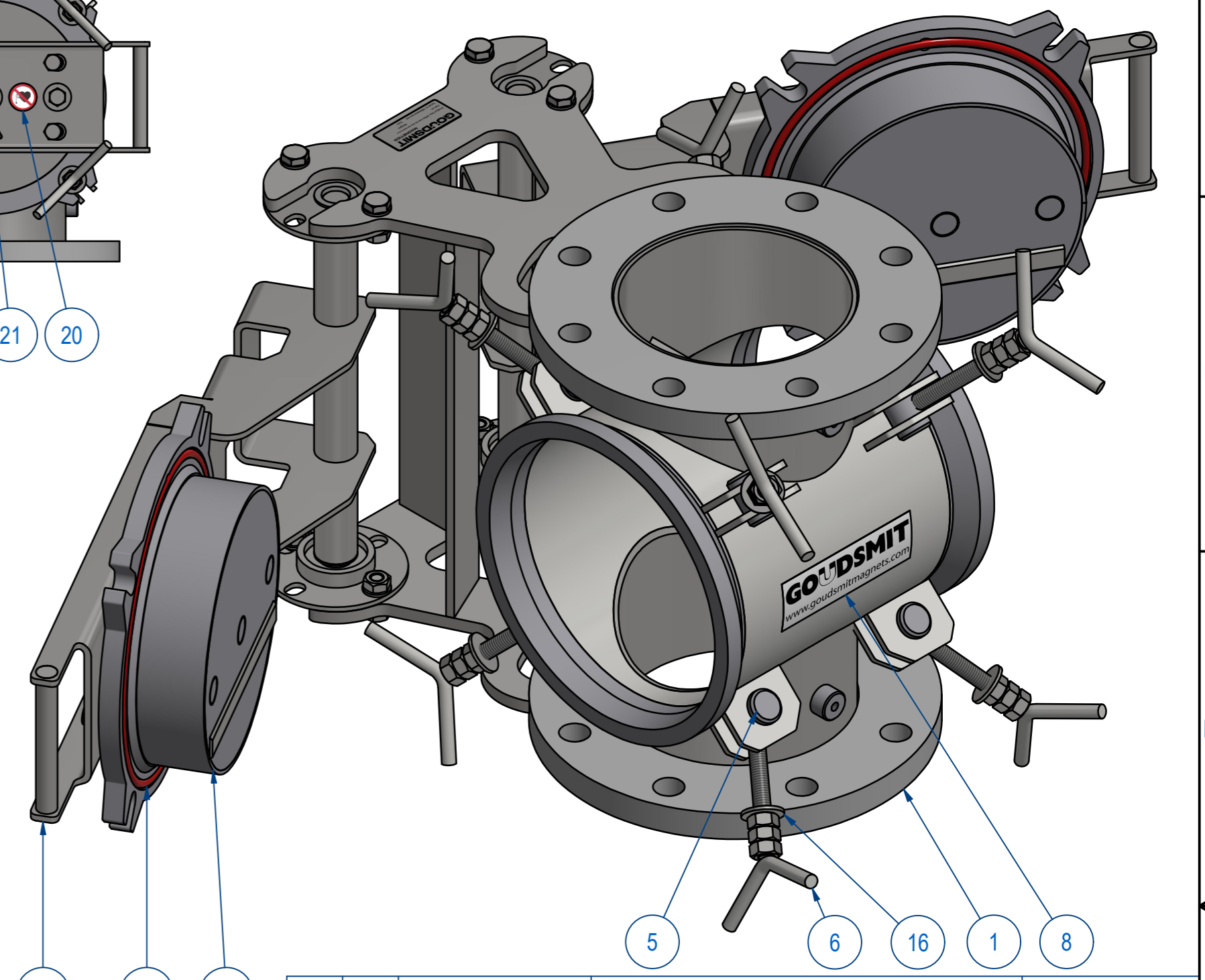
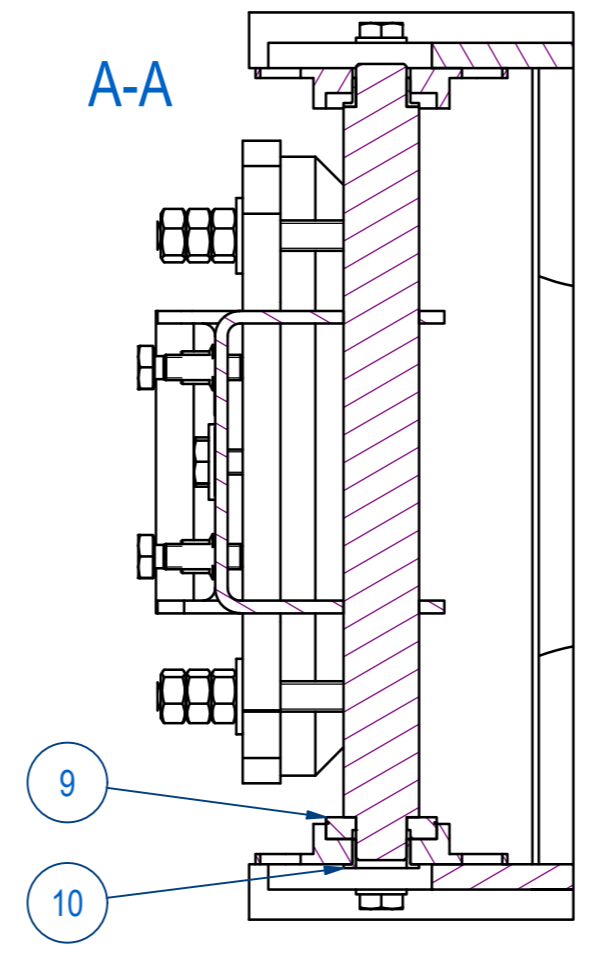
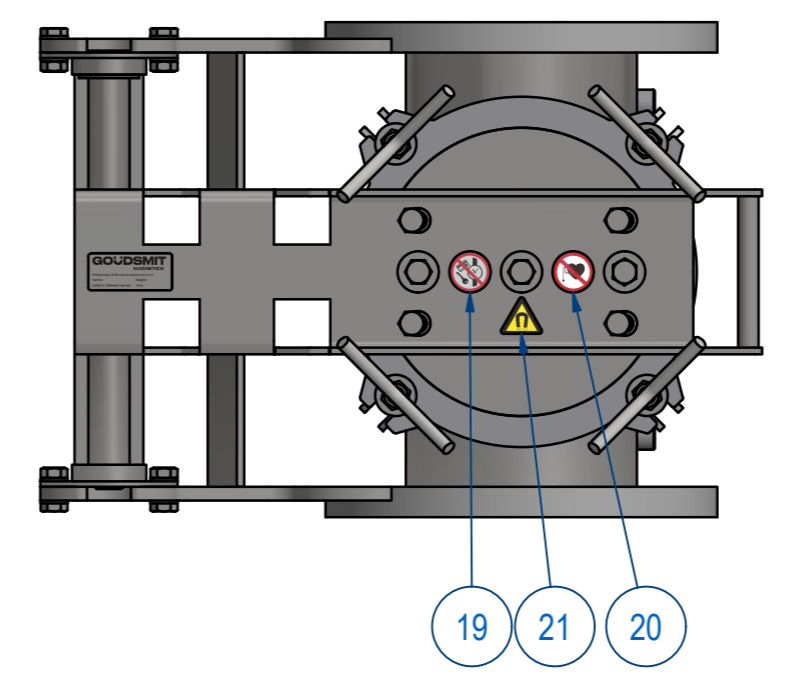
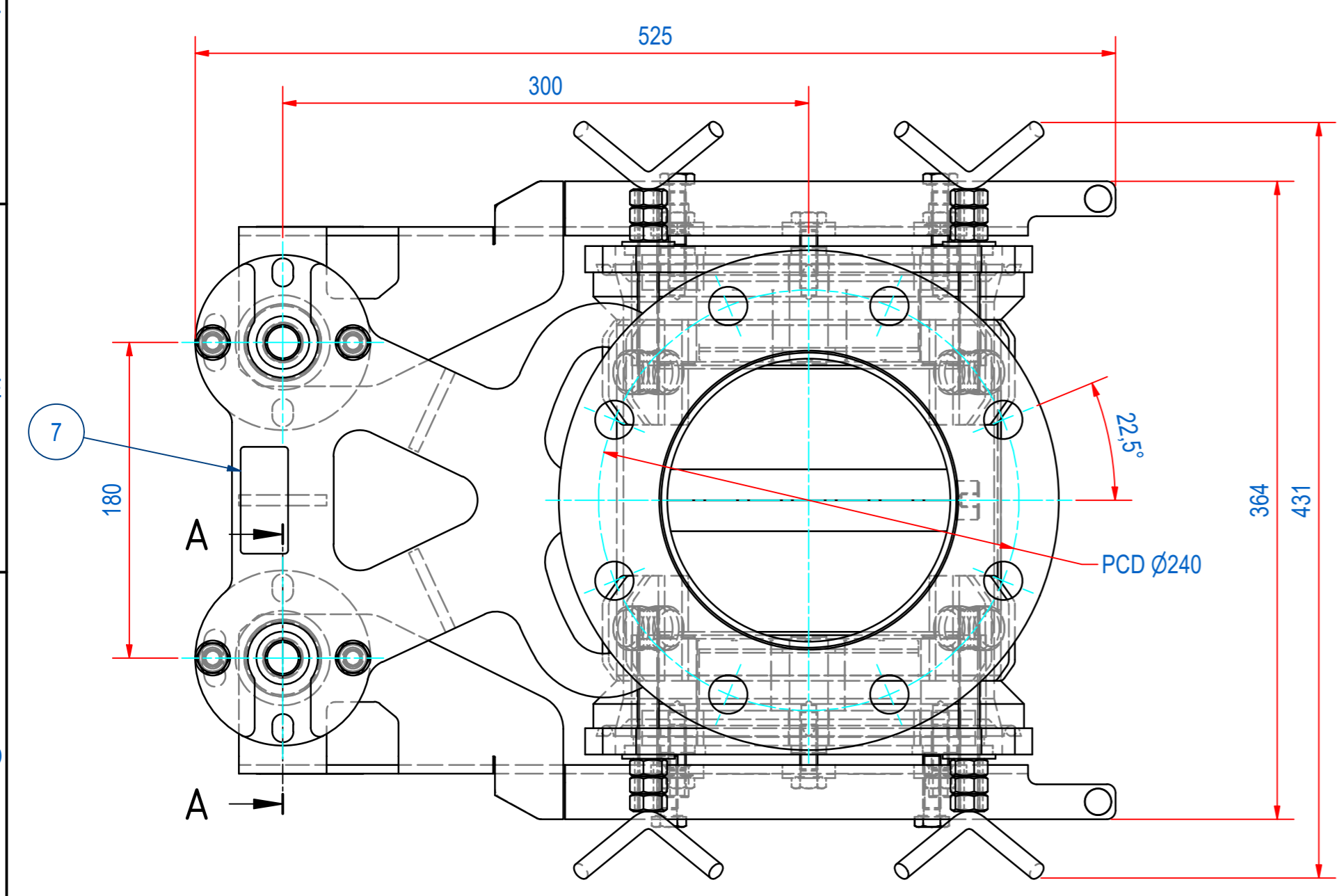


3	2	1		
DOC.NR.	REV	DATE	BY	DESCRIPTION
E0119191	-	18-7-2019	CR	REFERENCE DRAWING SZFN000260



ITEM	QTY	PART NUMBER	DESCRIPTION	Dimensions
21	2	1000.20027	STICKER MAGNETIC FIELD 30mm	
20	2	1000.20020	STICKER PACEMAKER FORBID. D=30	
19	2	1000.20019	STICKER ARTICLES FORBID D30	
18	2	78.1225600	O-RING Ø225 x 6 SILICONE EC1935	
17	6	70.9200004	WASHER 3xd M10x30 - A2	M10x30
16	8	70.8300010	WASHER 3xd M10x30 - A4	M10x30
15	16	70.0200010	WASHER M10- A2	M10
14	8	60.0200010	NUT, HEX M10 - A2	M10
13	8	50.1210035	BOLT, HEX M10x35 - A2	M10x35
12	6	50.1210030	BOLT, HEX M10x30 - A2	M10x30
11	8	50.1210025	BOLT, HEX M10x25 - A2	M10x25
10	4	15.9000043	BEARING IGLIDUR GFM-2023-11	
9	2	15.1004020	BEARING AXIAL IGUBAL SAM-20	
8	1	E0114656	NAME PLATE GOUDSMIT SFN200	
7	3	E0086453	TYPE PLATE FILTER SFN	
6	8	M54879	TOGGLE M12X100 316L	
5	9	M05119	TOGGLE BUSH D25x36 M12 316L	
4	4	M45350	BEARING BUSH IGUS SAM20	
3	2	M54868	HINGE DN150 304L	
2	2	M79907	FILTER TOP DN150 HINGE BP	
1	1	E0119196	BODY DN150 HINGE WELDING	

RAW MAT.	Quantity	Material Number	Material Description	Length (mm)	Width (mm)
⊕	Sheet:	A2	Extra info: MAGNETIC FILTER	General tolerance: ISO 2768 - mK	
Drawn:	Weight (kg):	77		Drawn according: ISO268; ISO1101; ISO2553	
Date:	18-7-2019			Status: Standard	
Spare part:	False			Customer reference number:	
Quick search:	FSN150			Document number: E0119191	Doc.Rev:
Description:	SFN-150-IF-020-N-F1m-S-B-B-B			Part number: E0119190	Rev: