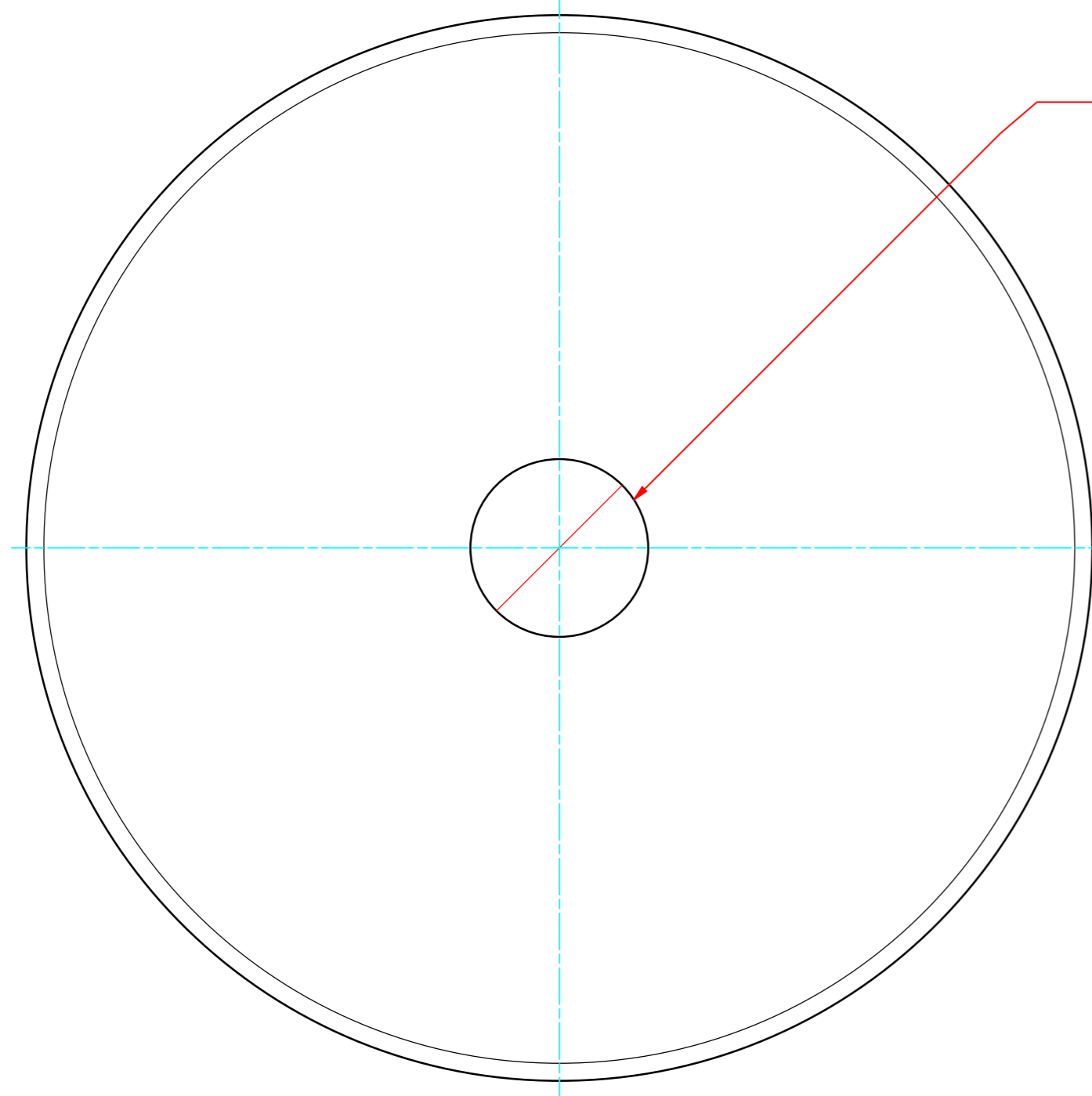
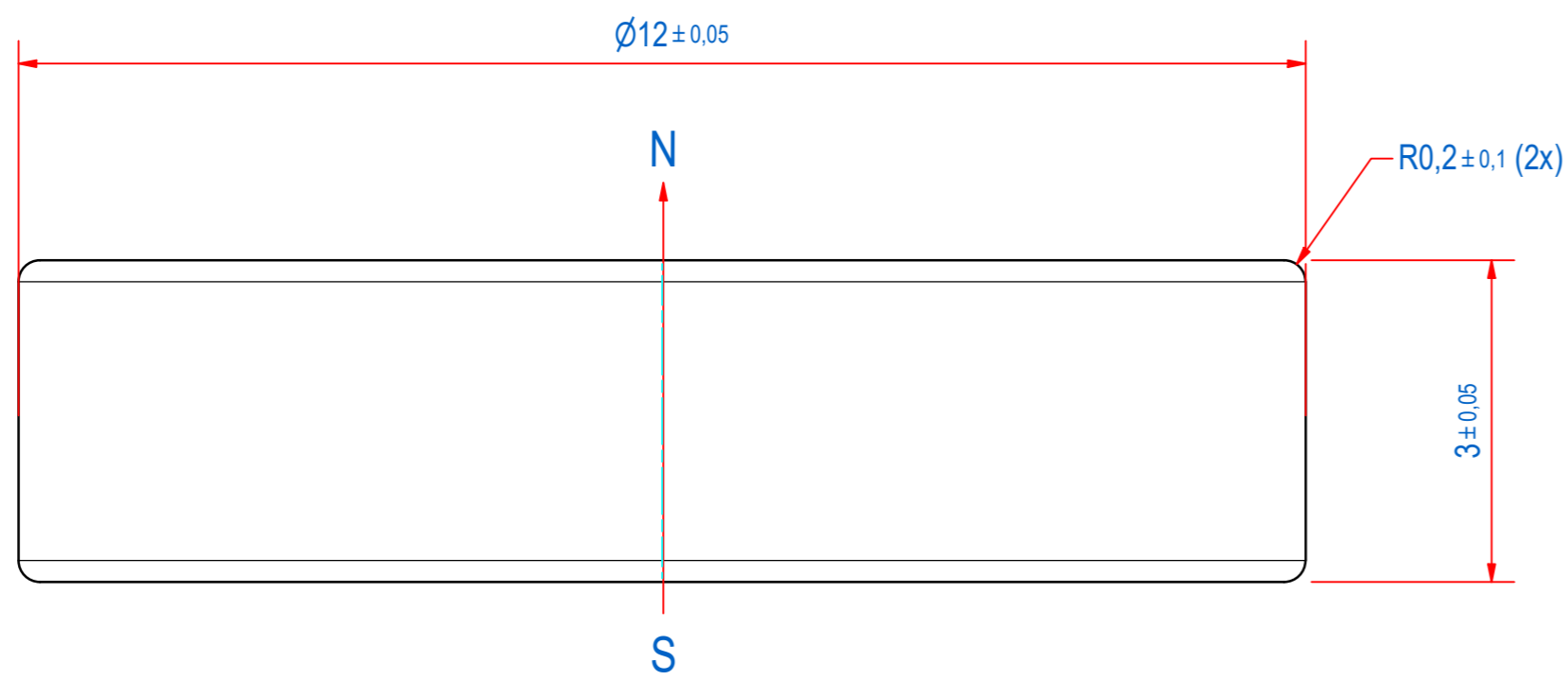
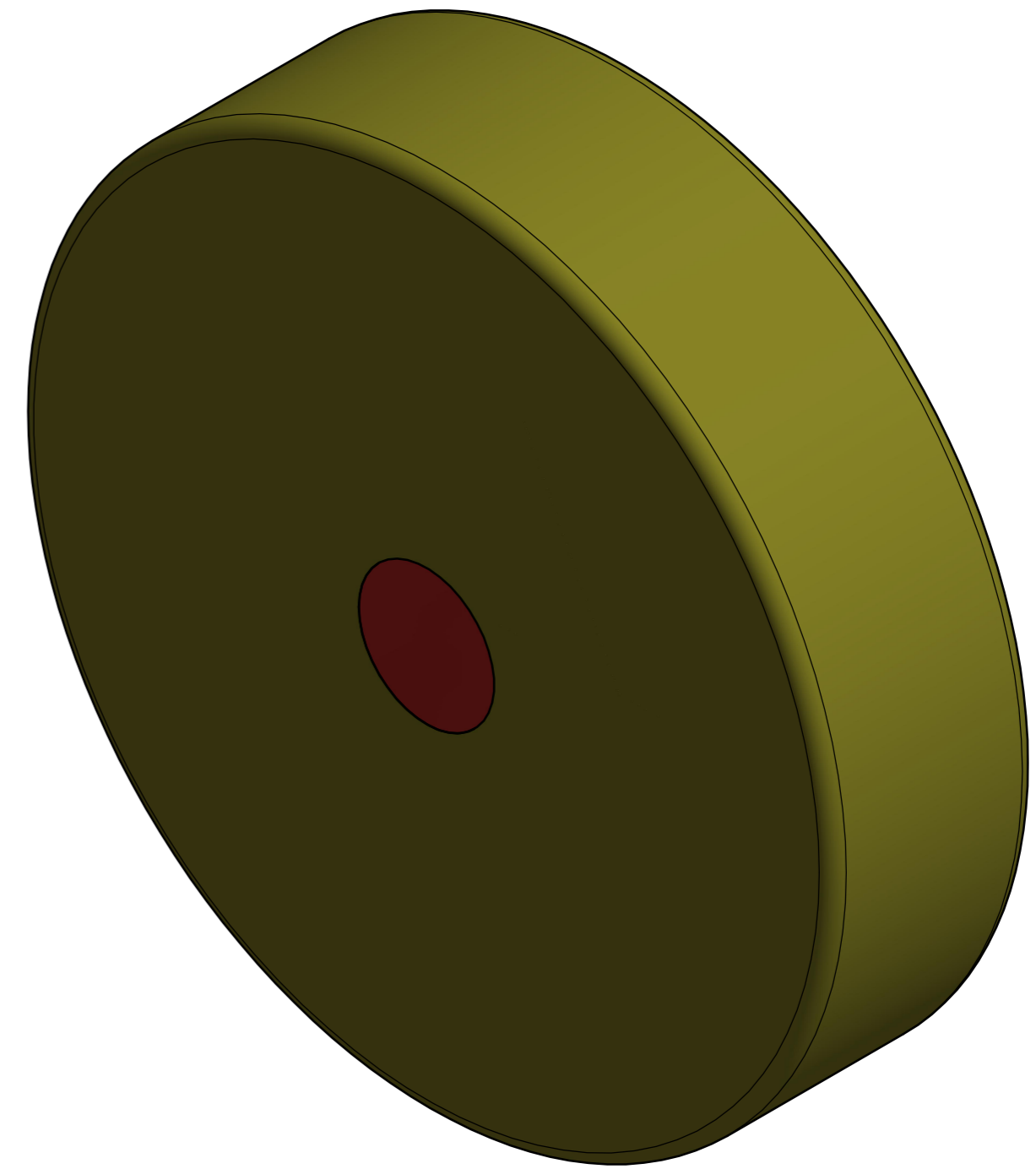


DOC.NR.	REV	DATE	BY	DESCRIPTION
E0123947	-	18-12-2019	PB	ORIGINAL DRAWING



NORTH POLE MARKED WITH RED DOT



RAW MAT.	1	Quantity	Material Number	Material Description	Length (mm)	Width (mm)
Sheet:	A2	Extra info:	MAGNET NdFeB N48			
Drawn:	PV	Weight (kg):	0,003			
Date:	23-10-2019			General tolerance:		ISO 2768- mK
Spare part:	False	Source:	<small>© All rights reserved. Reproduction is not permitted without written permission of GOUDSMIT Magnetic Systems BV</small>		Drawn according:	
Quick search:	NSC030	Description:		M-D-N48-A1-D12x3-NN		ISO268; ISO1101; ISO2553
				Status:		Standard
				Customer reference number:		
				Document number:		E0123947
				Part number:		E0123947
				Doc.Rev:		-
				Rev:		-