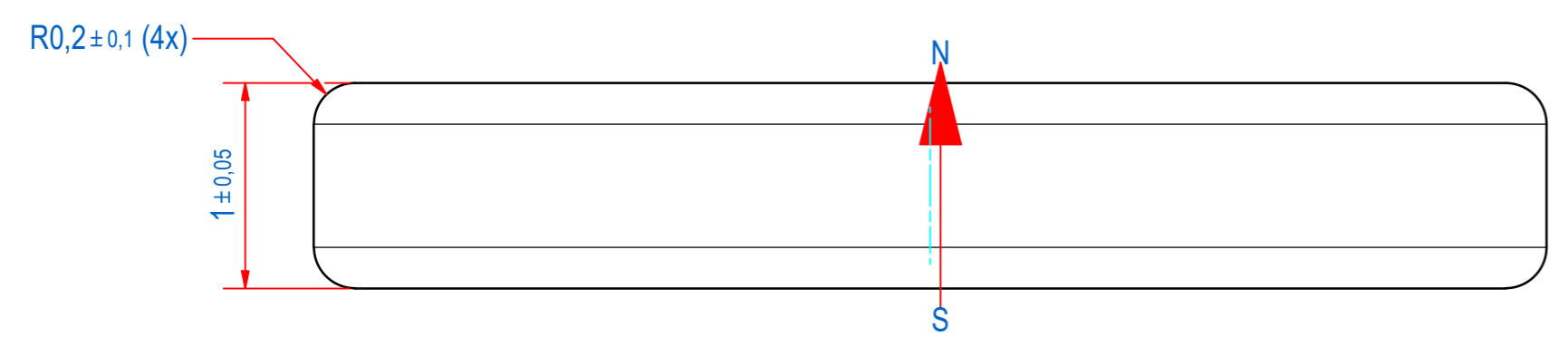
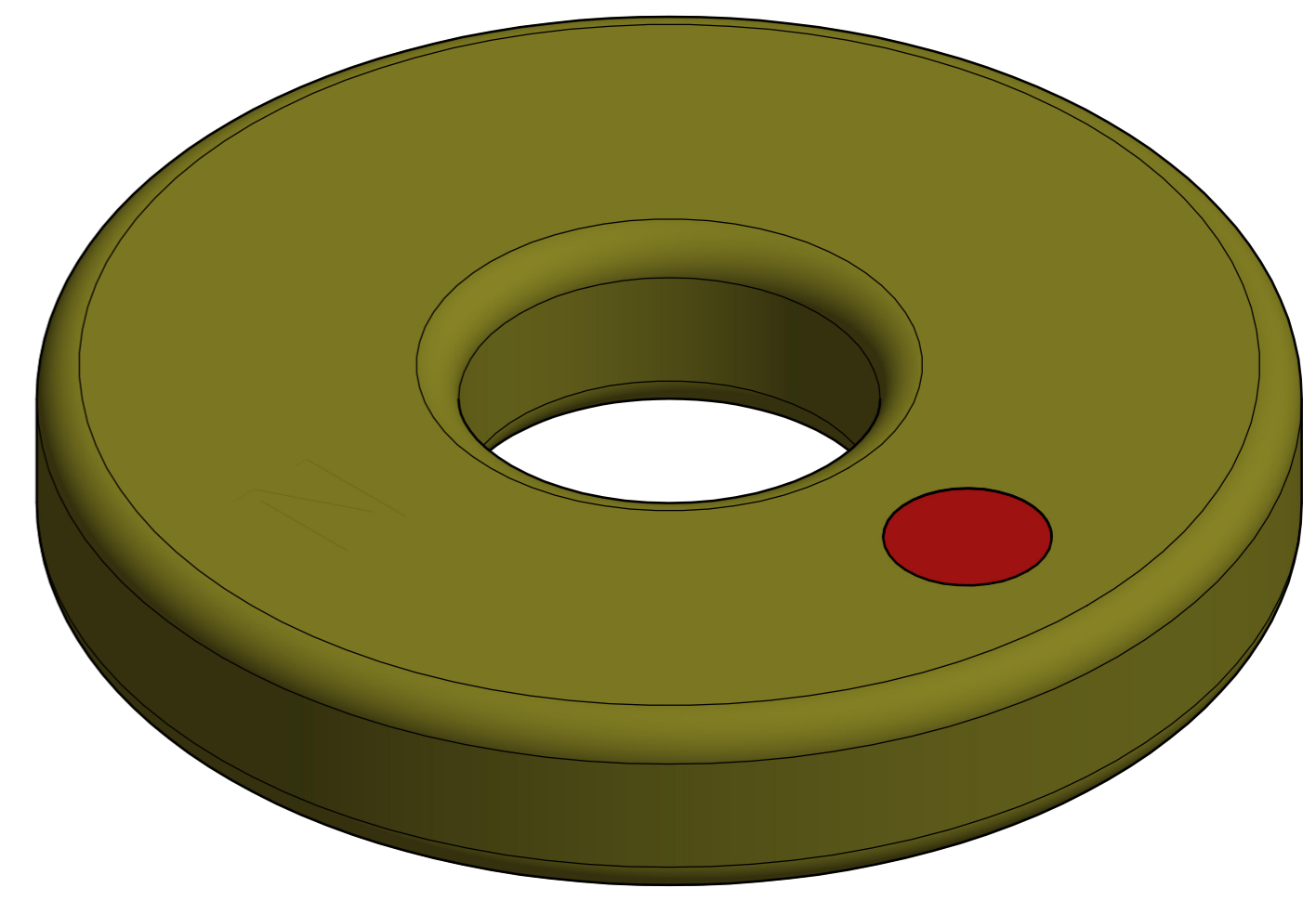
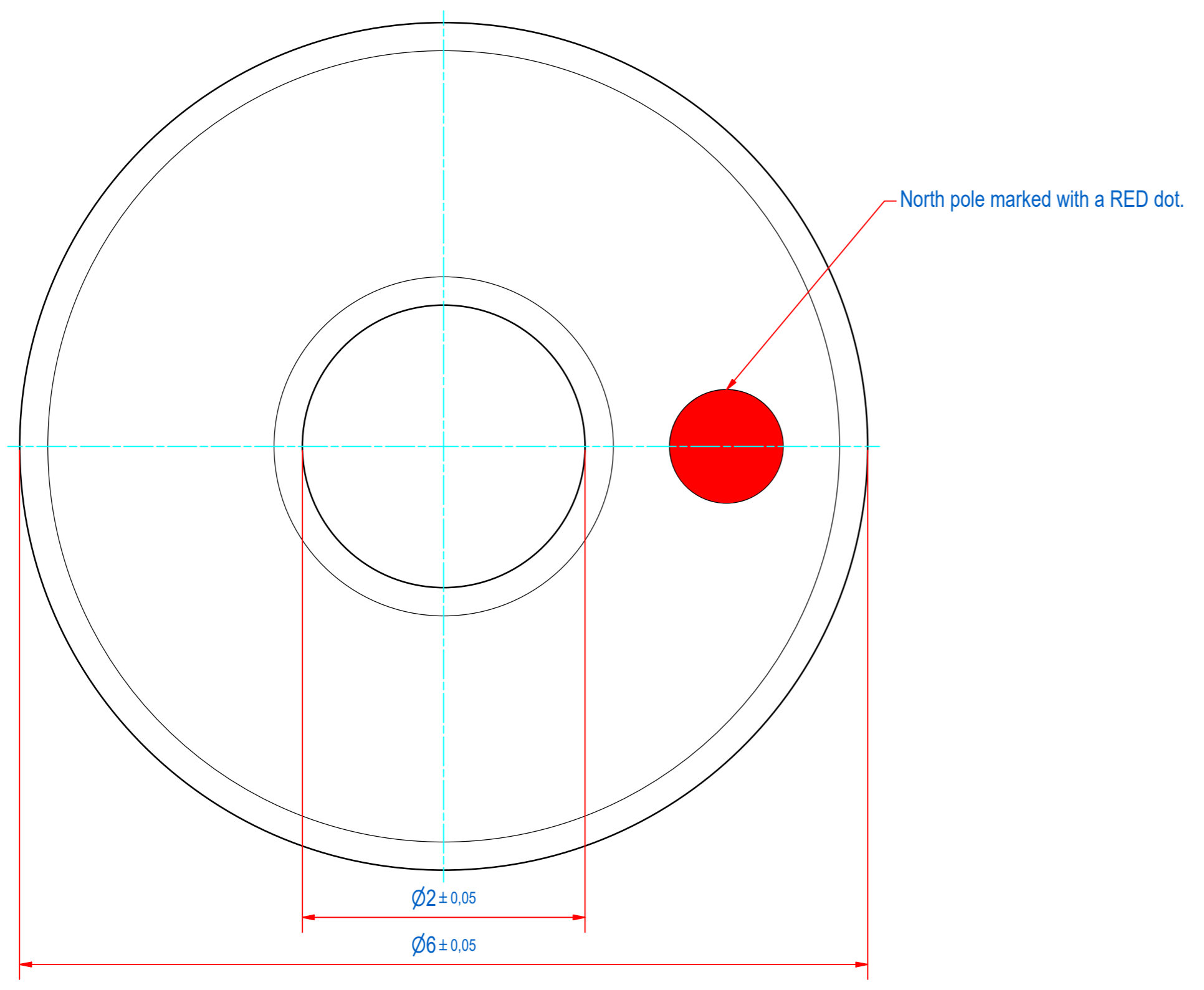


DOC.NR.	REV	DATE	BY	DESCRIPTION
E0133015	-	16-6-2020	TM	ORIGINAL DRAWING



RAW MAT.	Quantity	Material Number	Material Description	Length (mm)	Width (mm)
1					
Sheet:	A2	Extra info:	Magnet NdFeB N48	General tolerance:	ISO 2768- mK
Drawn:	TM	Weight (kg):	0,000	Drawn according:	ISO268; ISO1101; ISO2553
Date:	16-6-2020	Status:	Standard	Customer reference number:	
Spare part:	False	Source:		Document number:	E0133015
Quick search:	NR1010			Doc.Rev:	-
Description:	M-R-N48-A1-D6xd2x1-NN			Part number:	E0133015
				Rev:	-