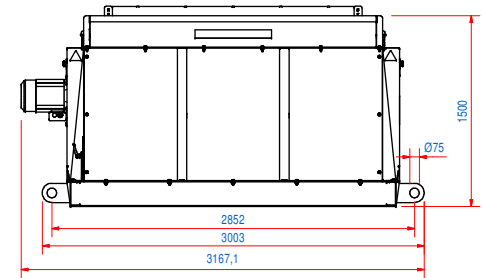
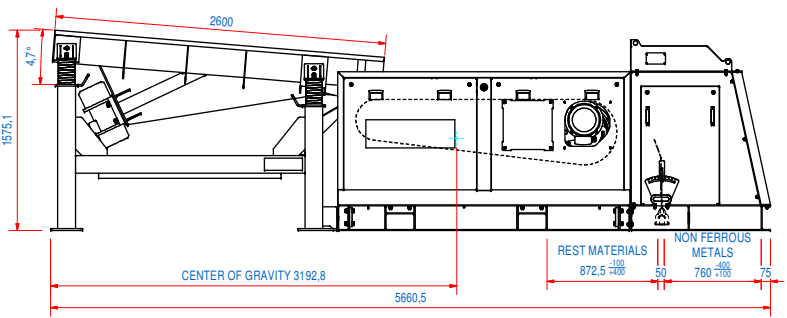
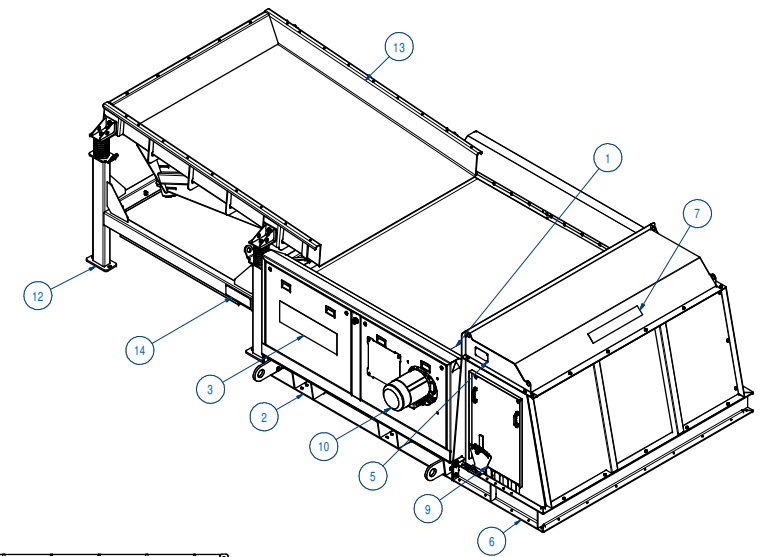
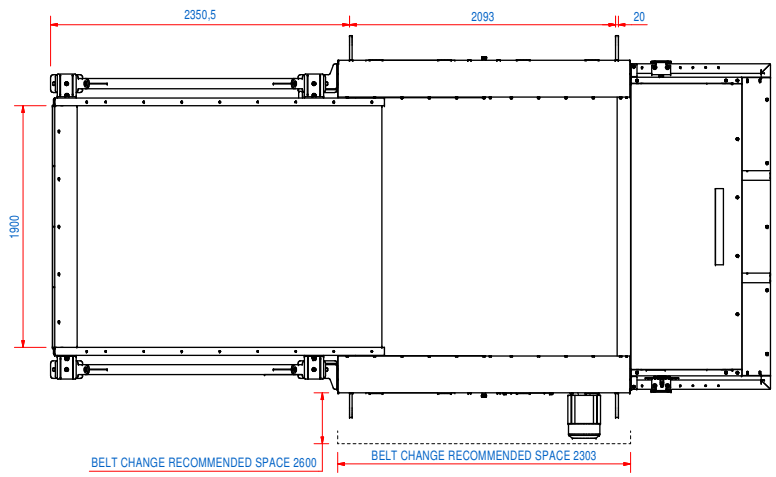
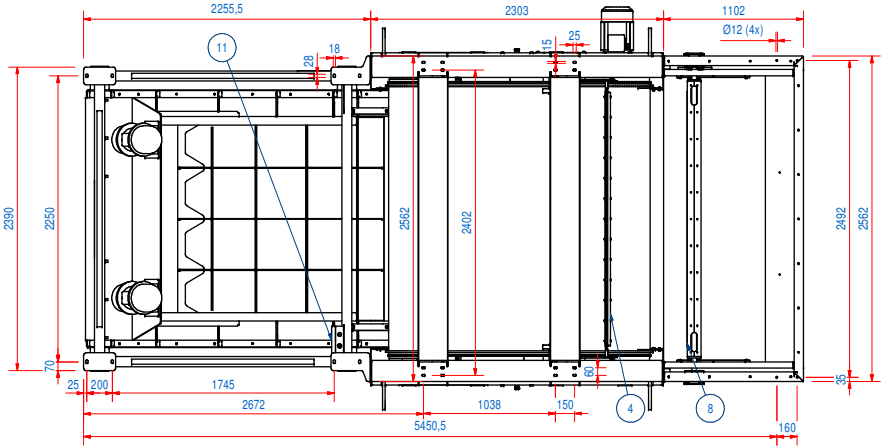


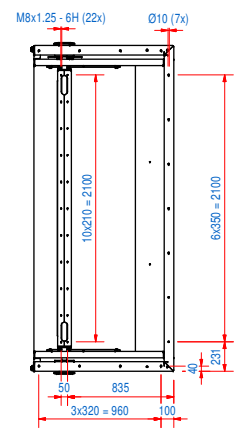
DOC.NR.	REV	DATE	BY	DESCRIPTION
E0136803	-			ORIGINAL DRAWING



LAYOUT MOUNTING HOLES



LAYOUT MOUNTING HOLES FUNNEL



RECOMMENDED FREE SPACE AROUND THE MACHINE FOR INSPECTION IS 800 MM

ITEM	QTY	PART NUMBER	DESCRIPTION	Dimensions
13	1	E0117504	RECV-VB-20-VM26-05-N	
12	1	E0117508	RECV-VF-20-N	
11	1	E0134050	RECV-CS-G-N	
10	1	E0118059	RECM-20-E12	
14	2	E0129382	STICKER ECS HOISTING	
9	1	E0075434	RECE-SA-M-B	
8	1	E0118256	RECE-SP-20-S	
7	2	E0120519	STICKER GOUDSMIT MAG. W600 WHITE	
6	1	E0118229	RECE-SB-20-M-ST	
5	1	E0098479	DATA PLATE	
4	1	E0118221	RECE-BS-20-X-NBR	
3	2	E0120504	STICKER EDDYXPERT W700 H222 WHITE	
2	1	E0117564	RECE-EF-20-X-R	
1	1	45.1800049	RECE-CB-20-X-PU-30	

RAW MAT.	Quantity	Material Number	Material Description	Length (mm)	Width (mm)
1	1				

Sheet: A1
 Drawn: IT
 Date: 21-10-2020
 Spare part: FALSE
 Source: MC-C
 Check search: REC-20
 Description: REC-20-E12-N-MAB-SM-PU-R

Extra info: WEBSITE MODEL
 General tolerance: ISO 2768- mK
 Drawn according: ISO268, ISO1101, ISO2553
 Status: Work in Progress
 Customer reference number:
 Document number: E0136803
 Part number: E0136803

GOUDSMIT MAGNETICS
 © All rights reserved. Reproduction is not permitted without written permission of GOUDSMIT Magnetic Systems BV.

ELECTRICAL PROPERTIES
 CURRENT: 32 A
 POWER: 17,5 KVA