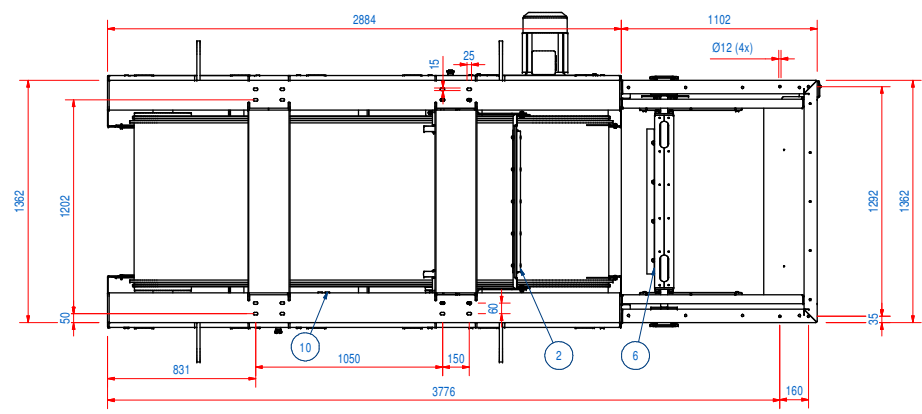
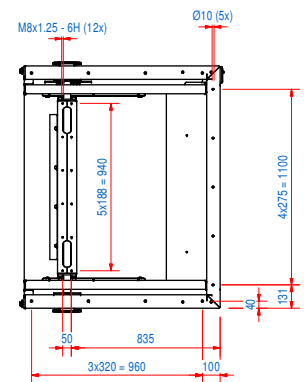


LAYOUT MOUNTING HOLES



LAYOUT MOUNTING HOLES FUNNEL



RECOMMENDED FREE SPACE AROUND THE MACHINE FOR INSPECTION IS 800 MM

ITEM	QTY	PART NUMBER	DESCRIPTION	Dimensions
11	1	E0108037	RECE-SA-S-R	
10	1	E0109220	RECE-CS-C	
9	2	E0120506	STICKER EDDYFINES W700 H222 WHITE	
8	1	A200691	RECMS-08-E38H	
7	1	E0122808	RECE-EF-08-F-R	
6	1	E0123426	RECE-SP-08-FM	
5	1	E0120519	STICKER GOUDSMIT MAG. W600 WHITE	
4	1	E0123226	RECE-SB-08-M-ST	
3	1	E0098479	DATA PLATE	
2	1	E0123391	RECE-BS-08-F-NBR	
1	1	E0122682	RECE-CB-08-F-PU-24	

RAW MAT.	Quantity	Material Number	Material Description	Length (mm)	Width (mm)
1	1				

Drawn	Sheet	Extra info	General tolerance
11	A1	WEBSITE MODEL	ISO 2768- mK
Date	Weight (kg)	Drawn according	ISO 2688, ISO 1101, ISO 2553
21-10-2020	2505	Status	Work in Progress
Spare part	Source	Customer reference number	
F385	MC-C		
Quick search	REC-08	Doc. No.	E0136808
Description	REC-08-E38H-N-N-FMS-PU-R	Part number	E0136808

ELECTRICAL PROPERTIES  
CURRENT: 25 A  
POWER: 14,4 KVA