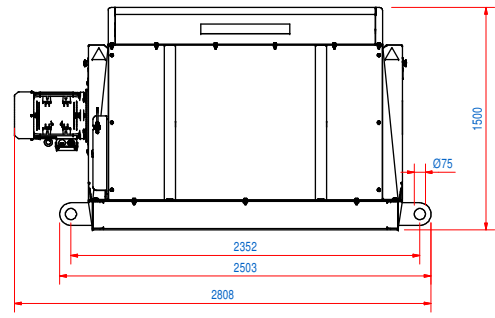
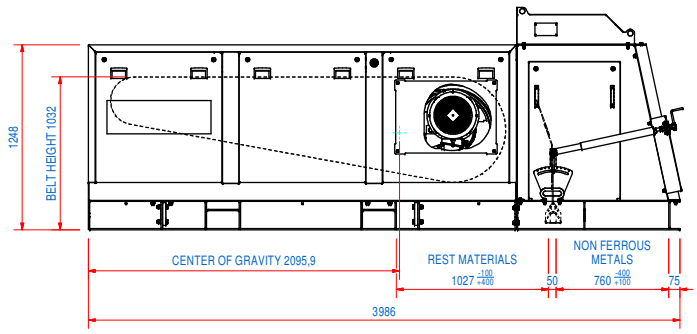
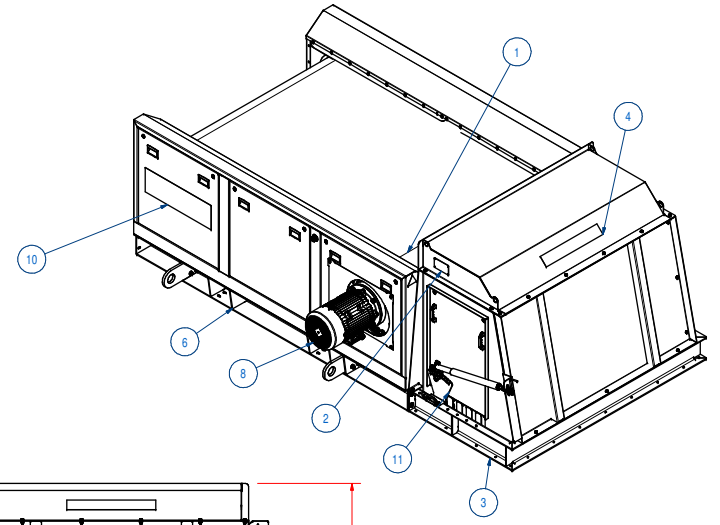
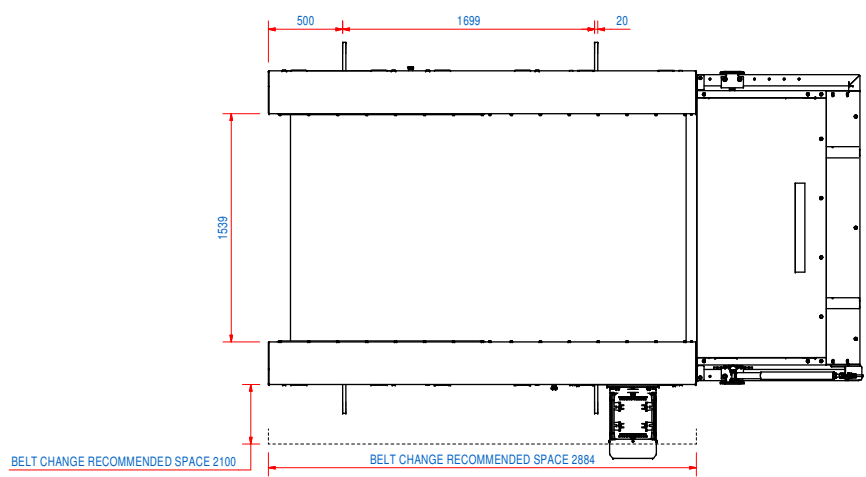
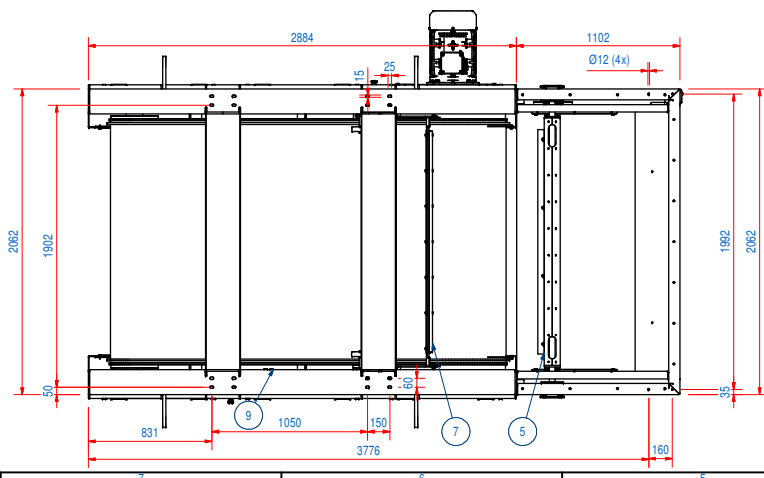


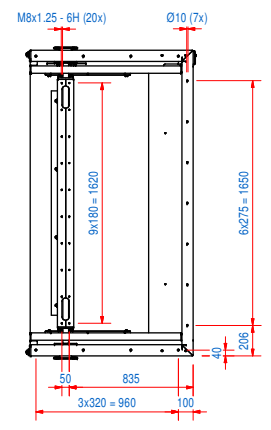
DOC. NR.	REV	DATE	BY	DESCRIPTION
E0136823	-			ORIGINAL DRAWING



LAYOUT MOUNTING HOLES



LAYOUT MOUNTING HOLES FUNNEL



RECOMMENDED FREE SPACE AROUND THE MACHINE FOR INSPECTION IS 800 MM

11	1	E0108037	RECE-SA-S-R	
10	2	E0120506	STICKER EDDYFINES W700 H222 WHITE	
9	1	E0109220	RECE-CS-C	
8	1	A280329	RECM-15-E38HI	
7	1	E0111559	RECE-BS-15-F-NBR	
6	1	E0107864	RECE-EF-15-F-R	
5	1	E0108097	RECE-SP-15-FM	
4	1	E0120519	STICKER GOUDSMIT MAG. W600 WHITE	
3	1	E0075432	RECE-SB-15-M-ST	
2	1	E0098479	DATA PLATE	
1	1	45.1800085	RECE-CB-15-F-PU-24	

ITEM	QTY	PART NUMBER	DESCRIPTION	Dimensions
RAW MAT.	1			
Quantity		Material Number	Material Description	Length (mm) Width (mm)

Sheet	A1	WEBSITE MODEL	General tolerance: ISO 2768- mK
Drawn	IT		Drawn according: ISO268, ISO1101, ISO2553
Date:	21-10-2020		Status: Work in Progress
Spare part:	FALSE	MC-C	Customer reference number:
Check search:	REC-15		Document number: E0136823
Description:	REC-15-E38HI-N-N-FMS-PU-R		Part number: E0136823

ELECTRICAL PROPERTIES
CURRENT: 35 A
POWER: 19,9 KVA