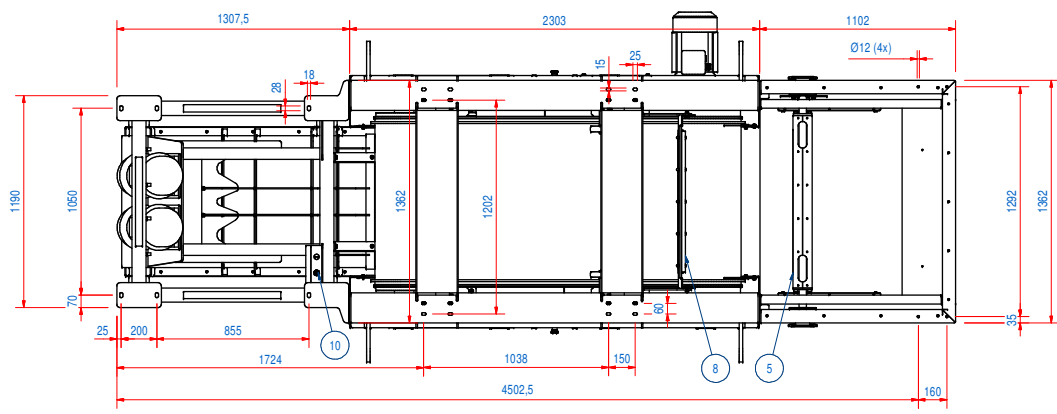
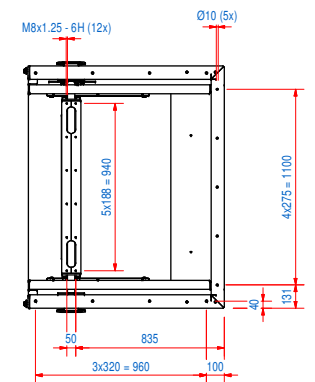


RECOMMENDED FREE SPACE AROUND THE MACHINE FOR INSPECTION IS 800 MM

LAYOUT MOUNTING HOLES



LAYOUT MOUNTING HOLES FUNNEL



ELECTRICAL PROPERTIES
CURRENT: 25 A
POWER: 14,0 KVA

ITEM	QTY	PART NUMBER	DESCRIPTION	Dimensions
14	2	E0129382	STICKER ECS HOISTING	
13	1	E0122479	RECV-VB-08-VM16-05-N	
12	1	E0122567	RECV-VF-08-N	
11	2	E0120504	STICKER EDDYXPRT W700 H222 WHITE	
10	1	E0134050	RECV-CS-G-N	
9	1	E0126923	RECM-08-E12	
8	1	E0123218	RECE-BS-08-X-NBR	
7	1	E0122727	RECE-EF-08-X-R	
6	1	E0075434	RECE-SA-M-B	
5	1	E0123399	RECE-SP-08-S	
4	2	E0120519	STICKER GOUDSMIT MAG. W600 WHITE	
3	1	E0123226	RECE-SB-08-M-ST	
2	1	E0098479	DATA PLATE	
1	1	E0122670	RECE-CB-08-X-PU-30	

RAW MAT.	Quantity	Material Number	Material Description	Length (mm)	Width (mm)
1	1				

Drawn by: IT	Weight (kg): 2360	General tolerance: ISO 2768- mK
Date: 22-10-2020	Source: MC-C	Drawn according: ISO268, ISO1101, ISO2553
Scale: 1:1	Customer reference number:	Status: Work in Progress
Check search: REC-08	Customer number: E0136849	Doc Rev:
Description: REC-08-E12-N-MAB-SM-PU-R	Part number: E0136849	Rev: