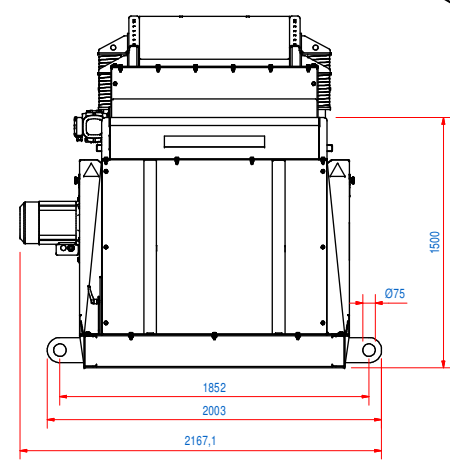
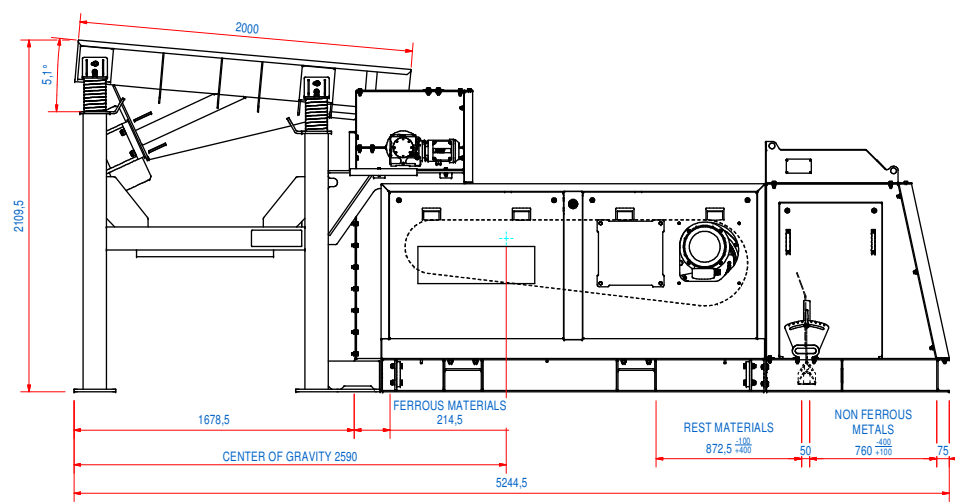
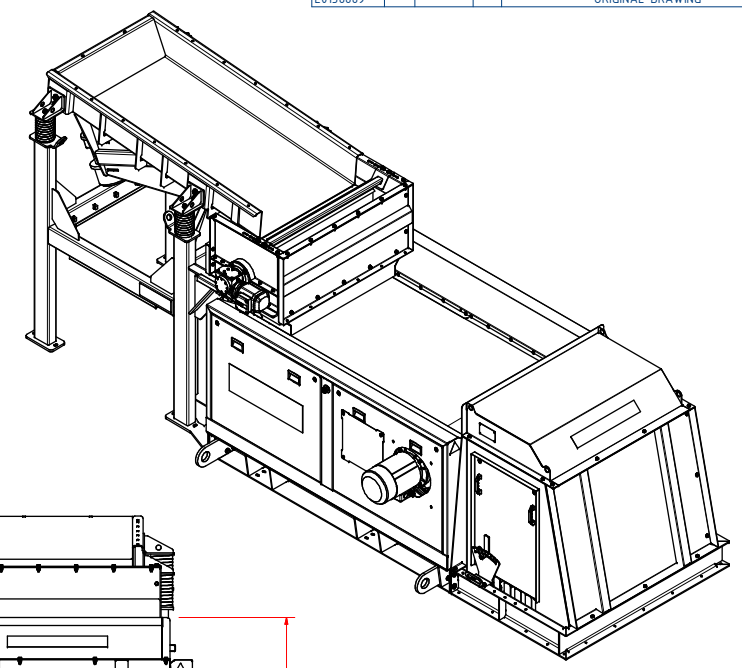
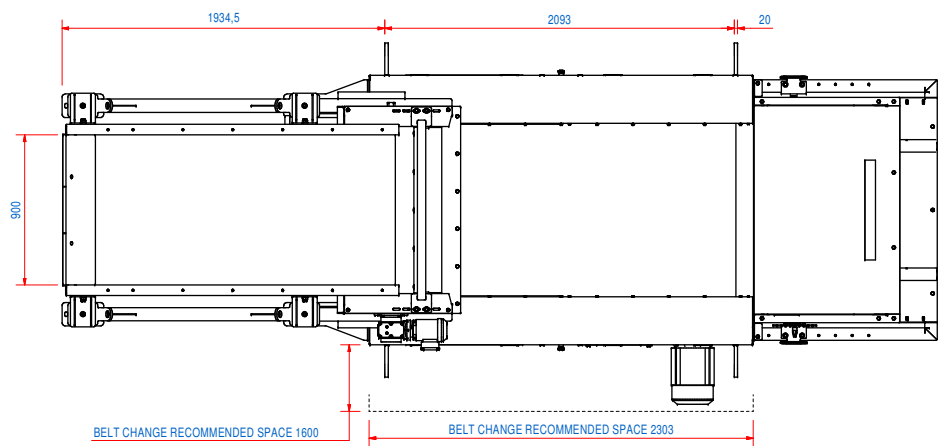
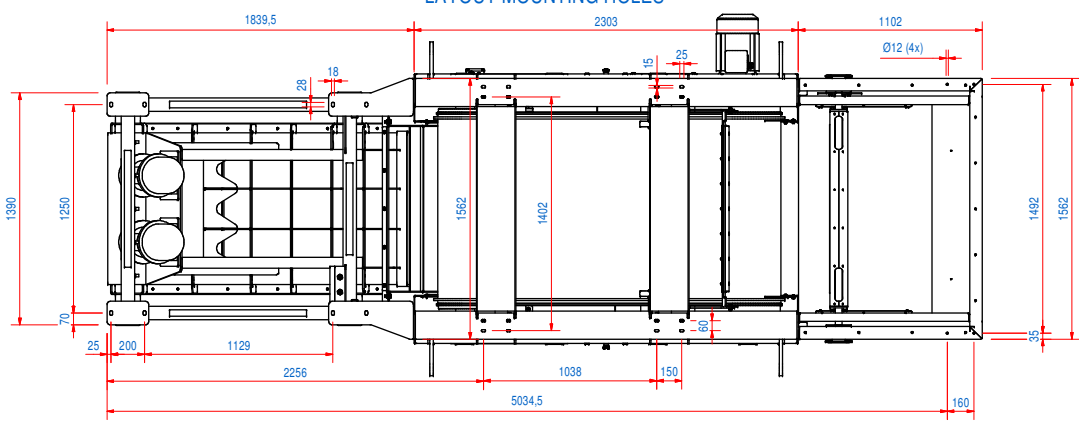


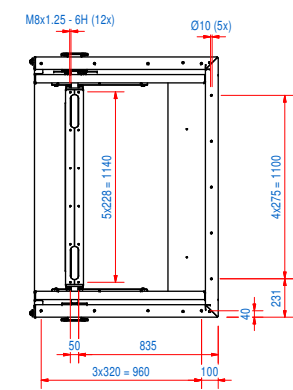
DOC.NR.	REV	DATE	BY	DESCRIPTION
E0136869	-			ORIGINAL DRAWING



LAYOUT MOUNTING HOLES



LAYOUT MOUNTING HOLES FUNNEL



ITEM	QTY	PART NUMBER	DESCRIPTION	Dimensions
18	1	E0109733	RECV-DM-055-F36	
17	2	E0129382	STICKER ECS HOISTING	
16	1	E0121322	RECV-DS-10-S3	
15	1	E0024388	RMD-10-32-RN-B-OR-30S2	
14	1	E0121185	RECV-DH-10-M	
13	1	E0121082	RECV-VB-10-VM20-05-N	
12	1	E0121150	RECV-VF-10-MD	
11	2	E0120504	STICKER EDDYPERT W700 H222 WHITE	
10	1	E0133469	RECV-CS-G-D	
9	1	E0121837	RECM-10-E22H	
8	1	E0121842	RECE-BS-10-X-NBR	
7	1	E0121696	RECE-EF-10-X-R	
6	1	E0075434	RECE-SA-M-B	
5	1	E0121866	RECE-SP-10-S	
4	2	E0120519	STICKER GOUDSMIT MAG. W600 WHITE	
3	1	E0121904	RECE-SB-10-M-ST	
2	1	E0098479	DATA PLATE	
1	1	45.1800041	RECE-CB-10-X-PU-30	

RAW MAT.	QTY	Material Number	Material Description	Length (mm)	Width (mm)
1	1				

Sheet: A1
 Weight (kg): 3230
 Date: 22-10-2020
 Spare part: FUSE
 Source: MC-C
 Check search: REC-10
 Description: REC-10-E22H-B-MAB-SM-PU-R

Extra info: WEBSITE MODEL
 General tolerance: ISO 2768- mK
 Drawn according: ISO268, ISO1101, ISO2553
 Status: Work in Progress
 Customer reference number:
 Document number: E0136869
 Part number: E0136869

ELECTRICAL PROPERTIES
CURRENT: 25 A
POWER: 15,1 KVA