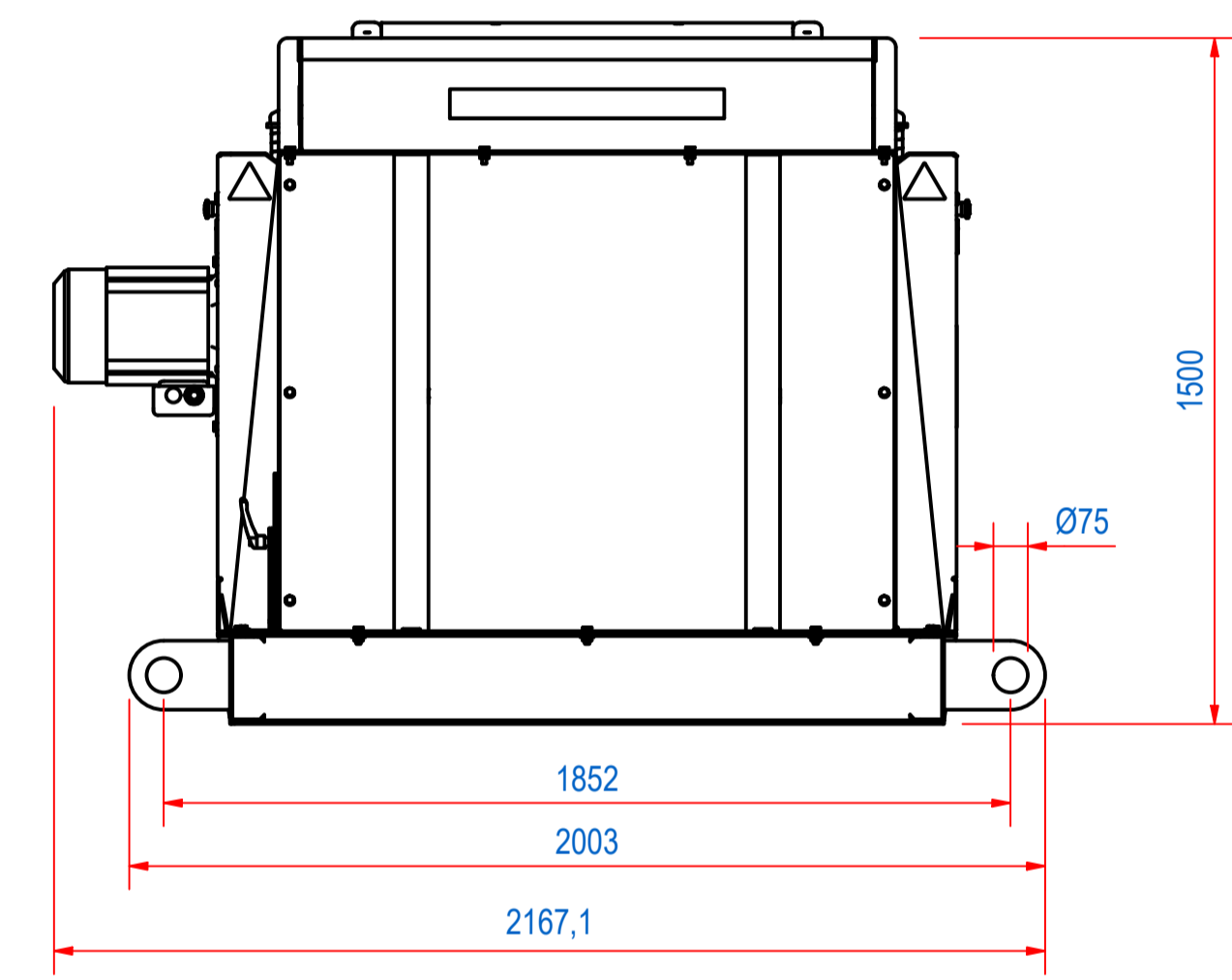
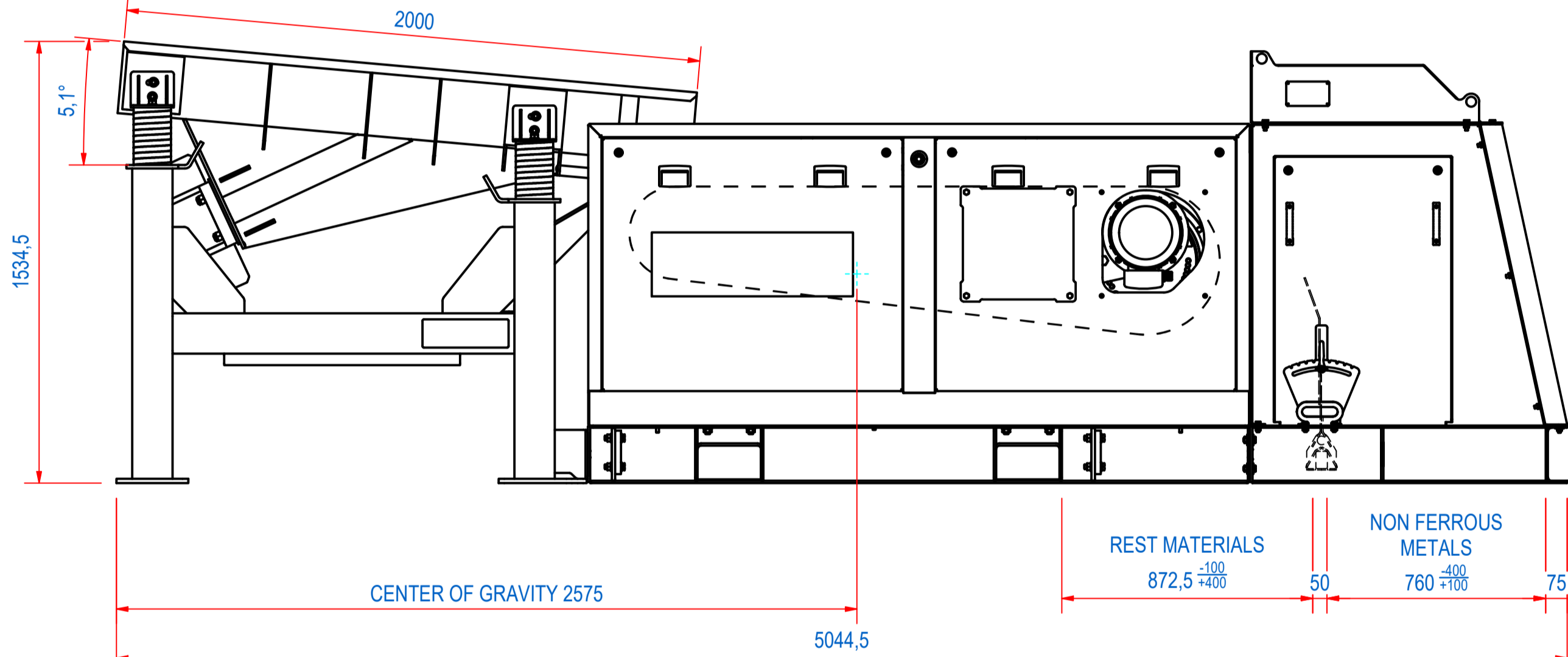
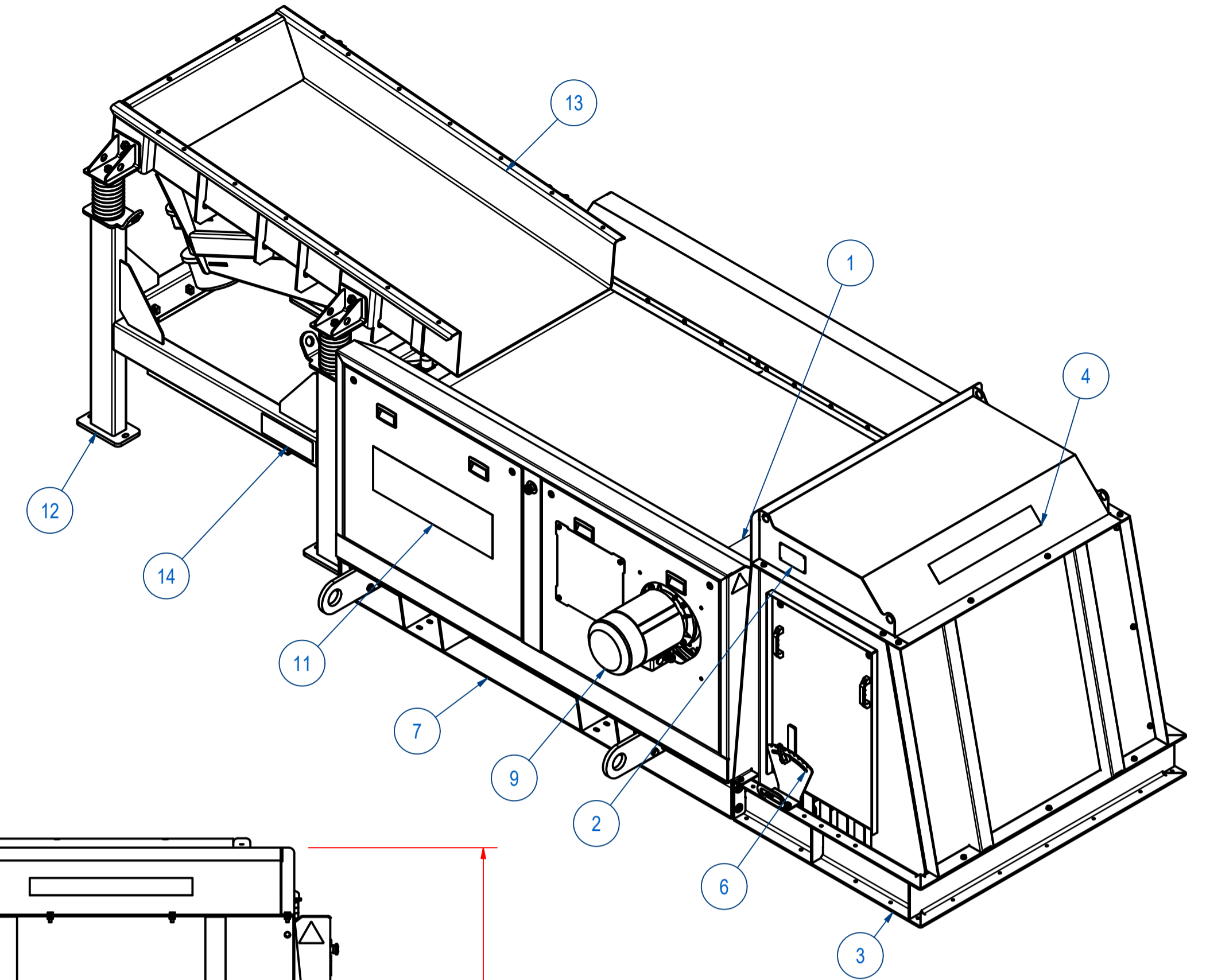
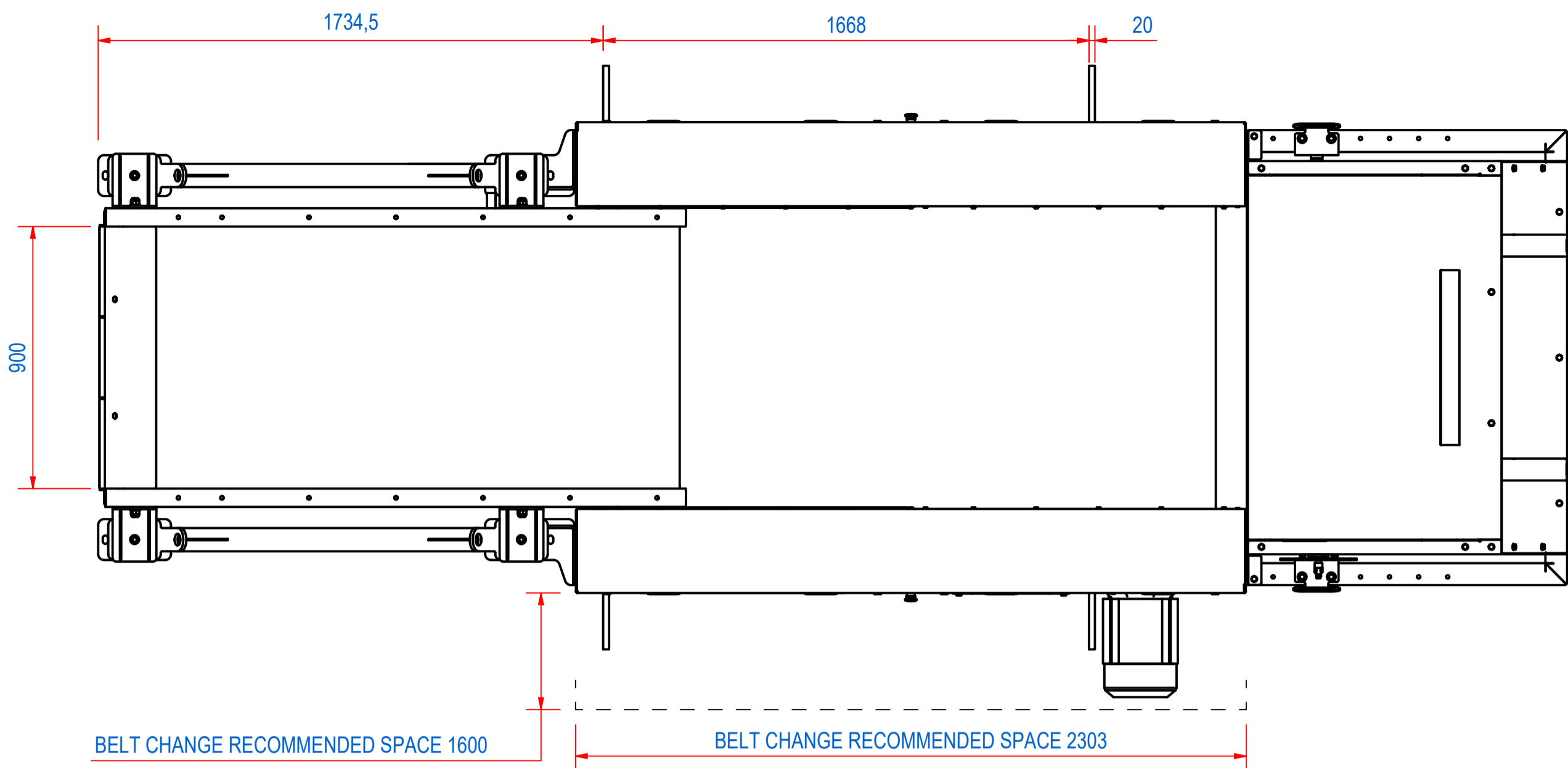
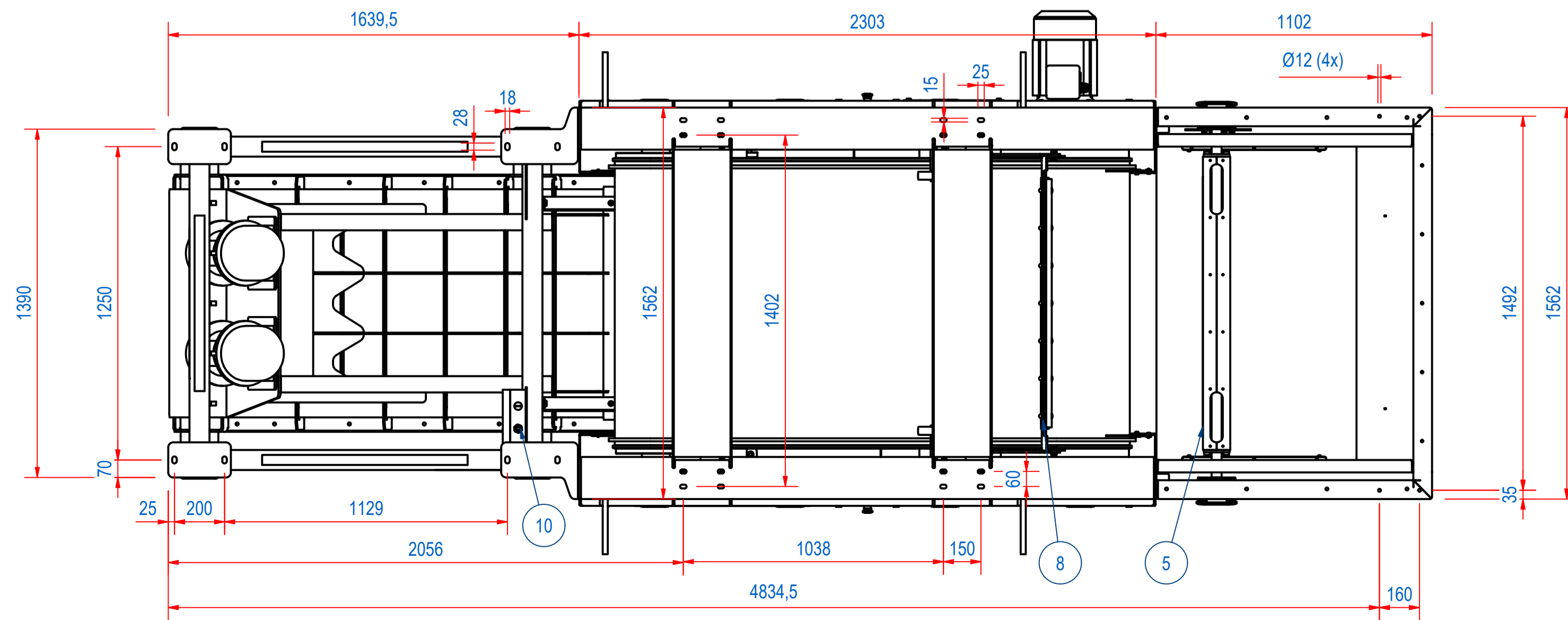


DOC.NR.	REV	DATE	BY	DESCRIPTION
E0136894	-	26-1-2021	TT	ORIGINAL DRAWING

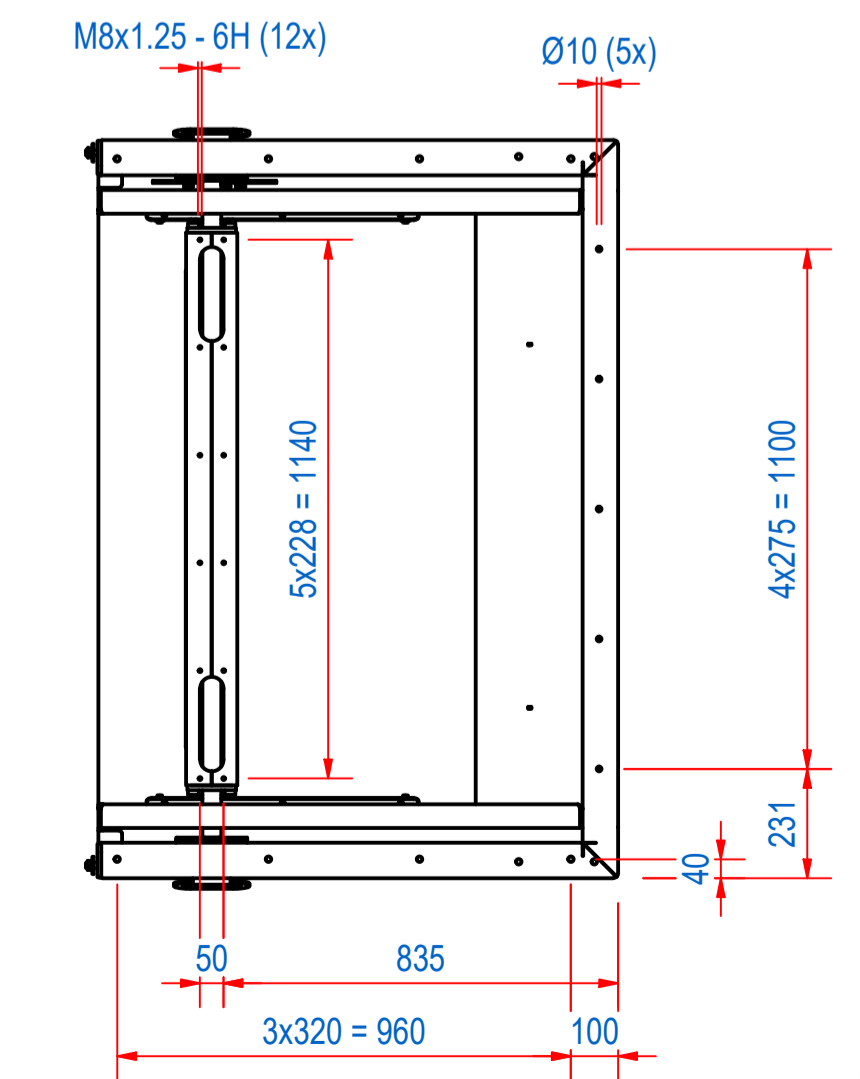


RECOMMENDED FREE SPACE AROUND THE MACHINE FOR INSPECTION IS 800 MM

LAYOUT MOUNTING HOLES



LAYOUT MOUNTING HOLES FUNNEL



ELECTRICAL PROPERTIES
CURRENT: 25 A
POWER: 14,0 KVA

ITEM	QTY	PART NUMBER	DESCRIPTION	Dimensions
14	2	E0129382	STICKER ECS HOISTING	
13	1	E0121082	RECV-VB-10-VM20-05-N	
12	1	E0121118	RECV-VF-10-N	
11	2	E0120504	STICKER EDDYXPRT W700 H222 WHITE	
10	1	E0134050	RECV-CS-G-N	
9	1	E0121837	RECM-10-E22HI	
8	1	E0121842	RECE-BS-10-X-NBR	
7	1	E0121696	RECE-EF-10-X-R	
6	1	E0075434	RECE-SA-M-B	
5	1	E0121866	RECE-SP-10-S	
4	2	E0120519	STICKER GOUDSMIT MAG. W600 WHITE	
3	1	E0121904	RECE-SB-10-M-ST	
2	1	E0098479	DATA PLATE	
1	1	45.1800041	RECE-CB-10-X-PU-30	

RAW MAT.	Quantity	Material Number	Material Description	General tolerance:	Length (mm)	Width (mm)
1	1			ISO 2768 - mK		

Drawn: TT	Weight (kg): 2695	Source: MC-C	Drawn according to: ISO268; ISO1101; ISO2553
Date: 27-10-2020	Quick search: REC-10	Part number: E0136894	Status: Released
Description: REC-10-E22HI-N-MAB-SM-PU-R		Doc number: E0136894	Rev: E0136894