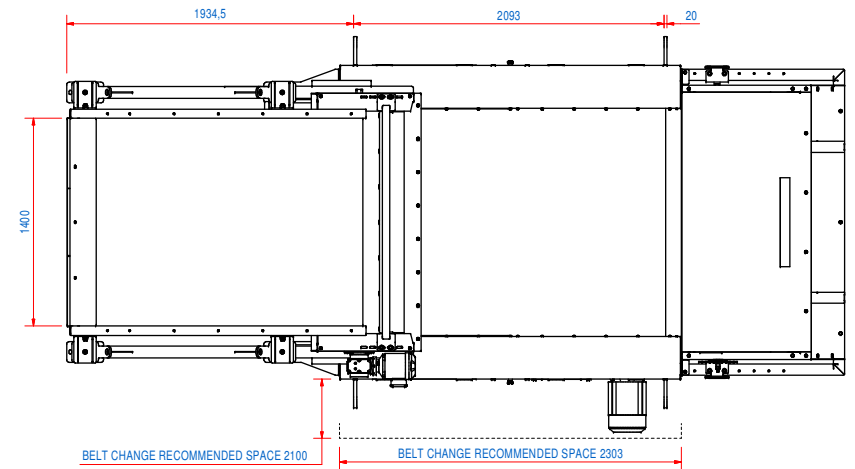
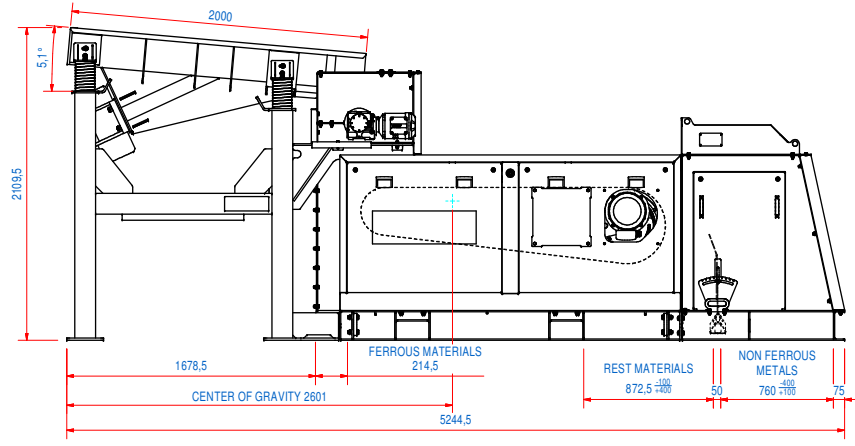


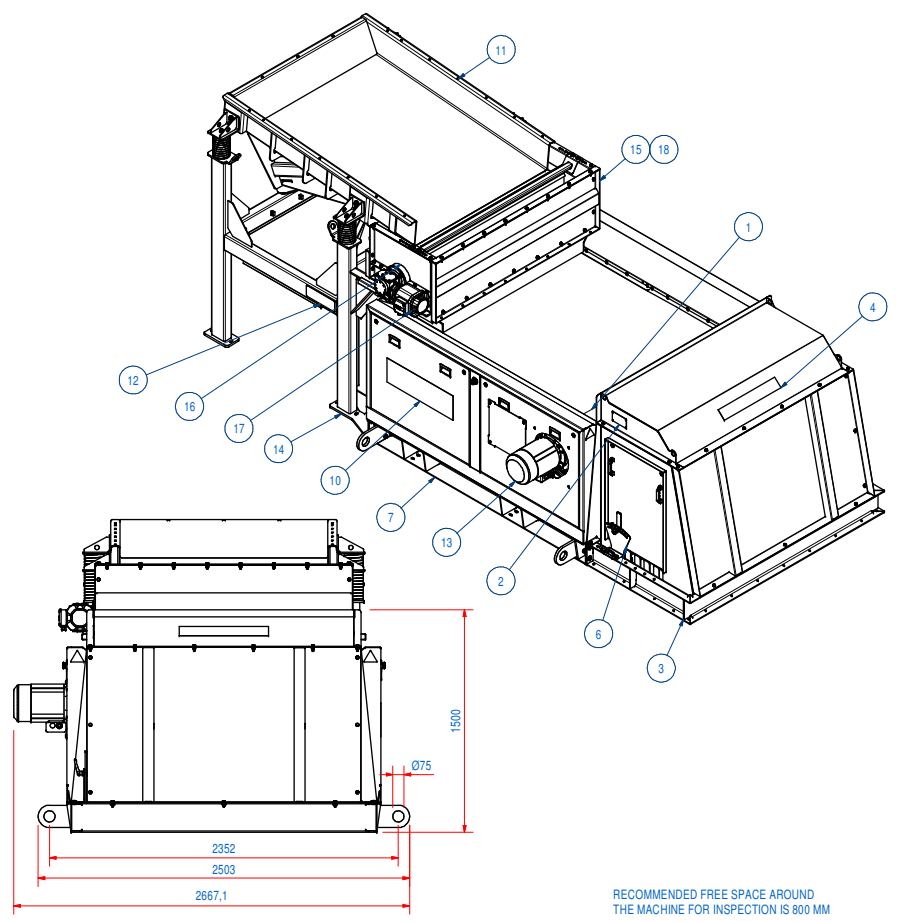
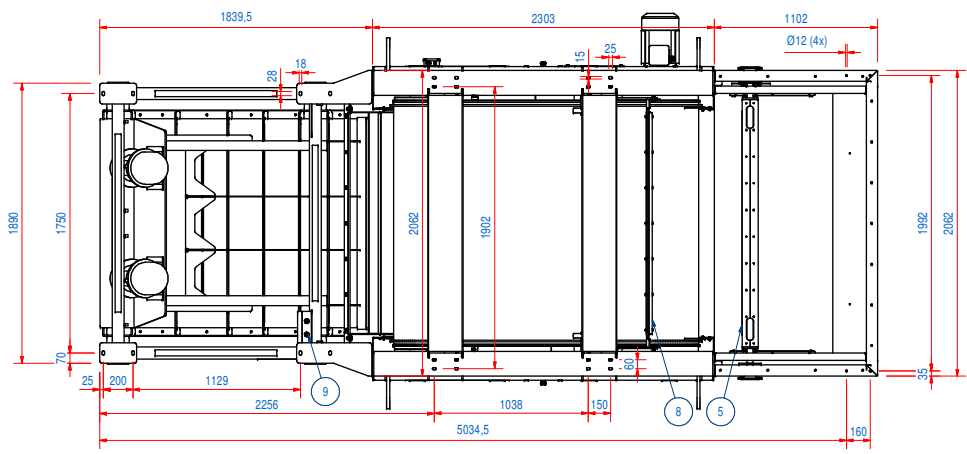
DOC.NR.	REV	DATE	BY	DESCRIPTION
E0115698	-			ORIGINAL DRAWING



BELT CHANGE RECOMMENDED SPACE 2100      BELT CHANGE RECOMMENDED SPACE 2303

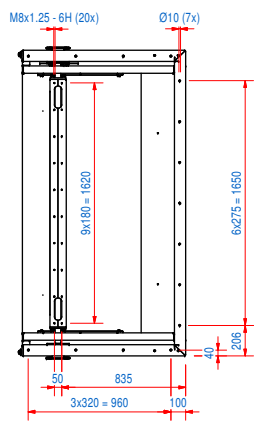


LAYOUT MOUNTING HOLES



RECOMMENDED FREE SPACE AROUND THE MACHINE FOR INSPECTION IS 800 MM

LAYOUT MOUNTING HOLES FUNNEL



ELECTRICAL PROPERTIES  
CURRENT: 32 A  
POWER: 20,1 KVA

ITEM	QTY	PART NUMBER	DESCRIPTION	Dimensions
17	1	E0114174	RECV-DM-110-F37	
16	1	E00293952	RMD-15-32-RN-B-OR-30S2	
15	1	E0107706	RECV-DH-15-M	
14	1	E0107695	RECV-VF-15-MD	
13	1	E0112456	RECM-15-E22HI	
12	2	E0129382	STICKER ECS HOISTING	
11	1	E0106804	RECV-VB-15-X-NBR	
10	2	E0120504	STICKER EDDYXPERT W700 H222 WHITE	
9	1	E0133469	RECV-CS-G-D	
8	1	E0111557	RECE-BS-15-X-NBR	
7	1	E0107821	RECE-EF-15-X-R	
6	1	E0075434	RECE-SA-M-B	
5	1	E0107956	RECE-SP-15-S	
4	2	E0120519	STICKER GOUDSMIT MAG. W600 WHITE	
3	1	E0075432	RECE-SB-15-M-ST	
2	1	E0098479	DATA PLATE	
1	1	45.1800047	RECE-CB-15-X-PU-30	

RAW MAT.	Quantity	Material Number	Material Description	Length (mm)	Width (mm)
1	1				

Drawn: **TT**      Weight (kg): **3395**  
 Date: **27-10-2020**  
 Spare part: **False**      Source: **MC-C**

**GOUDSMIT**  
**MAGNETICS**

General tolerance: **ISO 2768- mK**  
 Drawn according: **ISO268, ISO1101, ISO2553**  
 Status: **Work in Progress**  
 Customer reference number:  
 Part number: **E0115698**  
 Description: **REC-15**  
**REC-15-E22HI-B-MAB-SM-PU-R**  
 Part number: **E0136911**