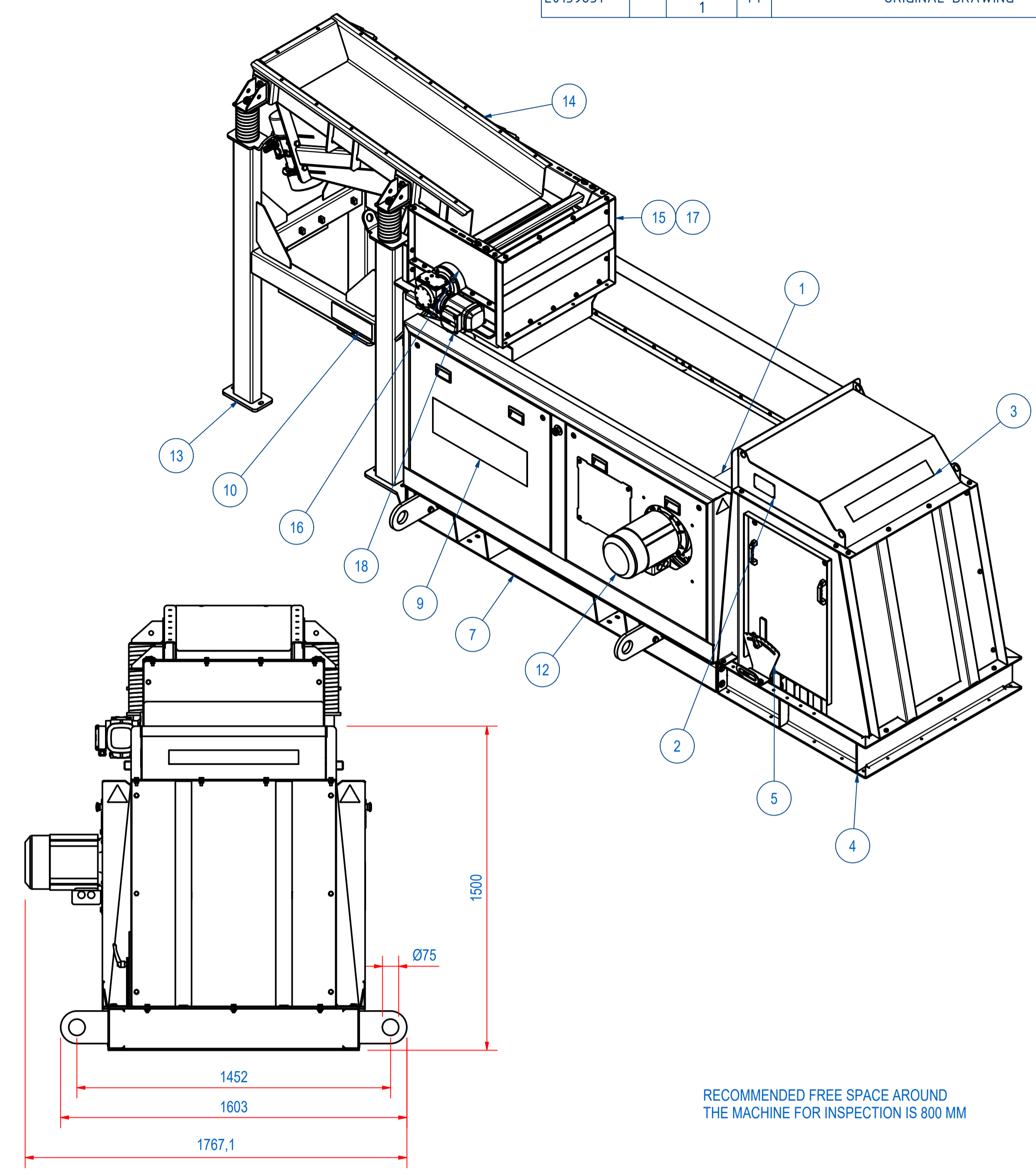
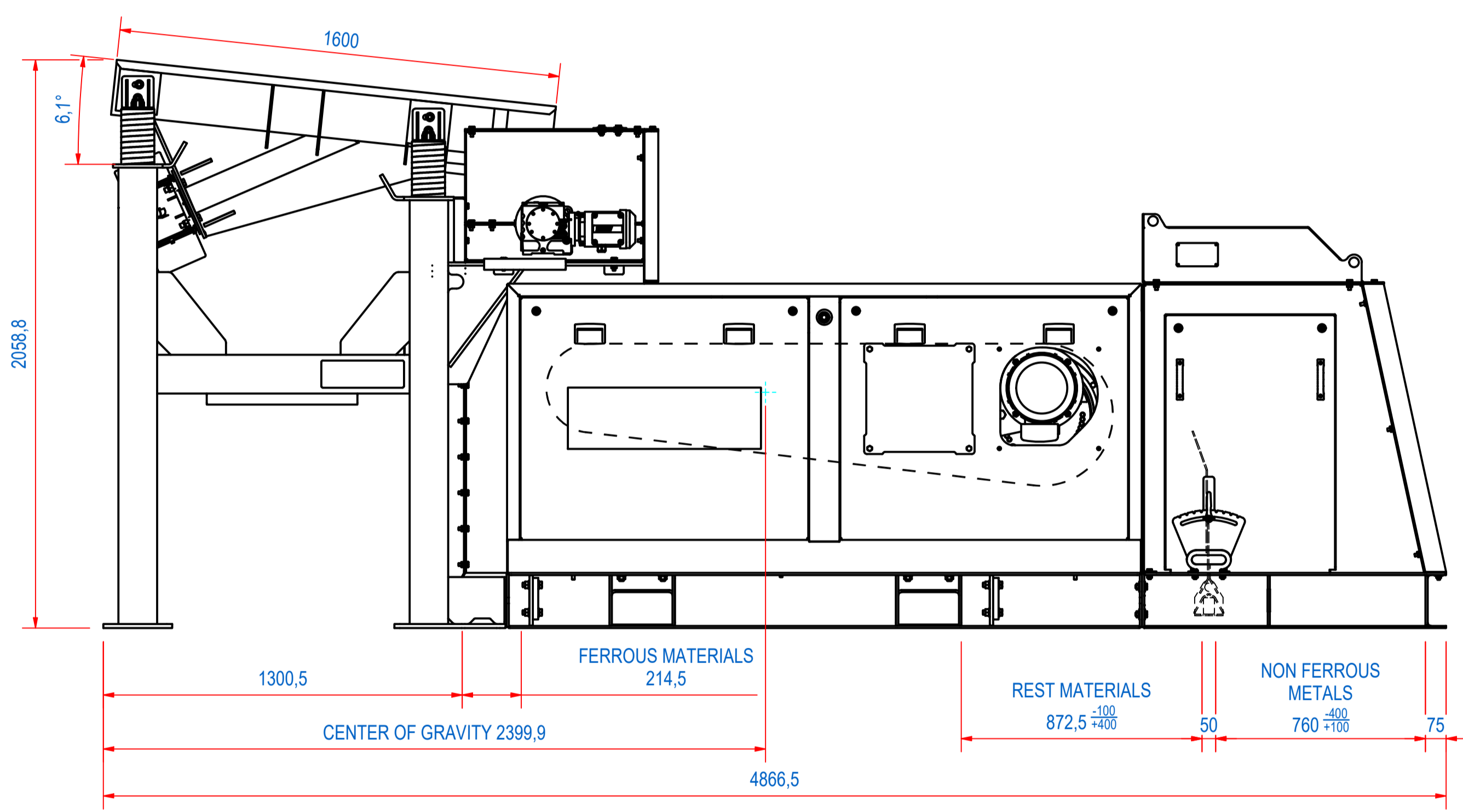
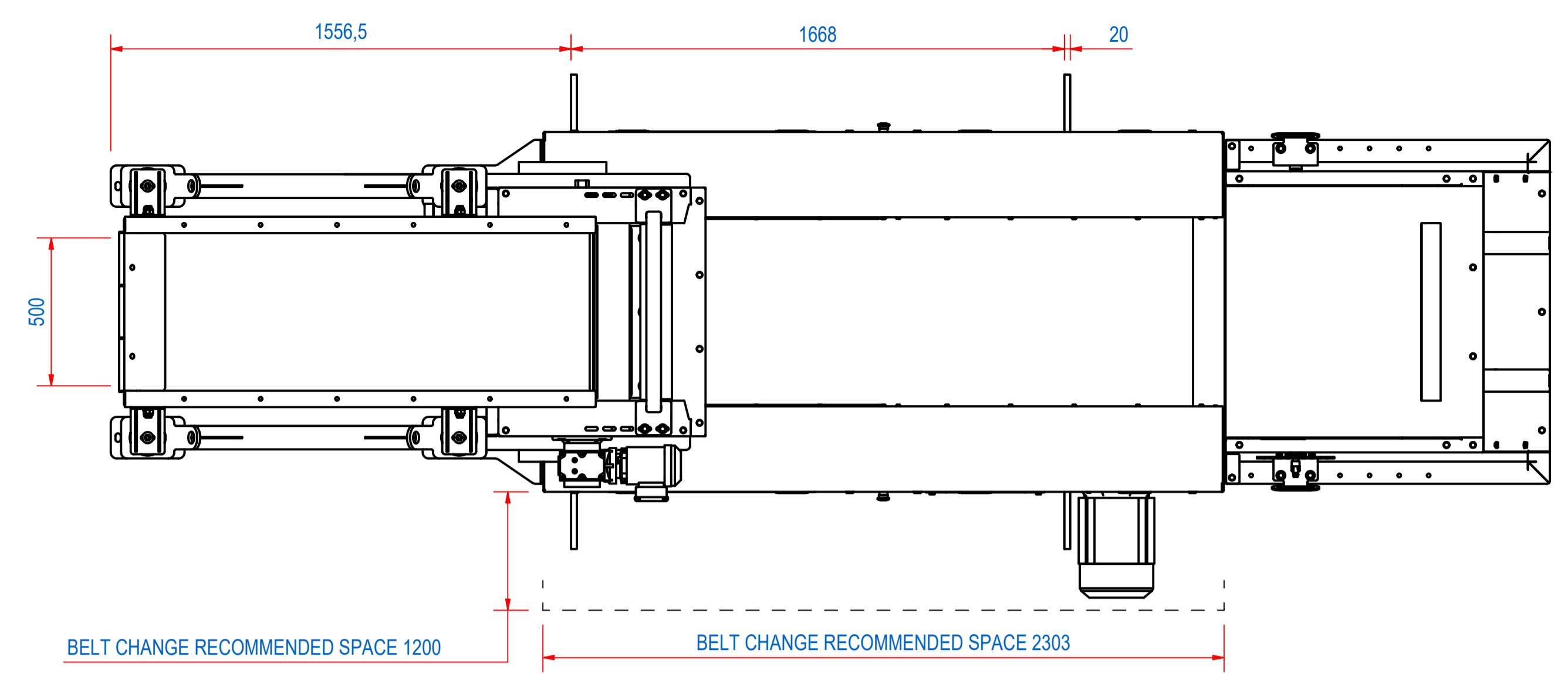
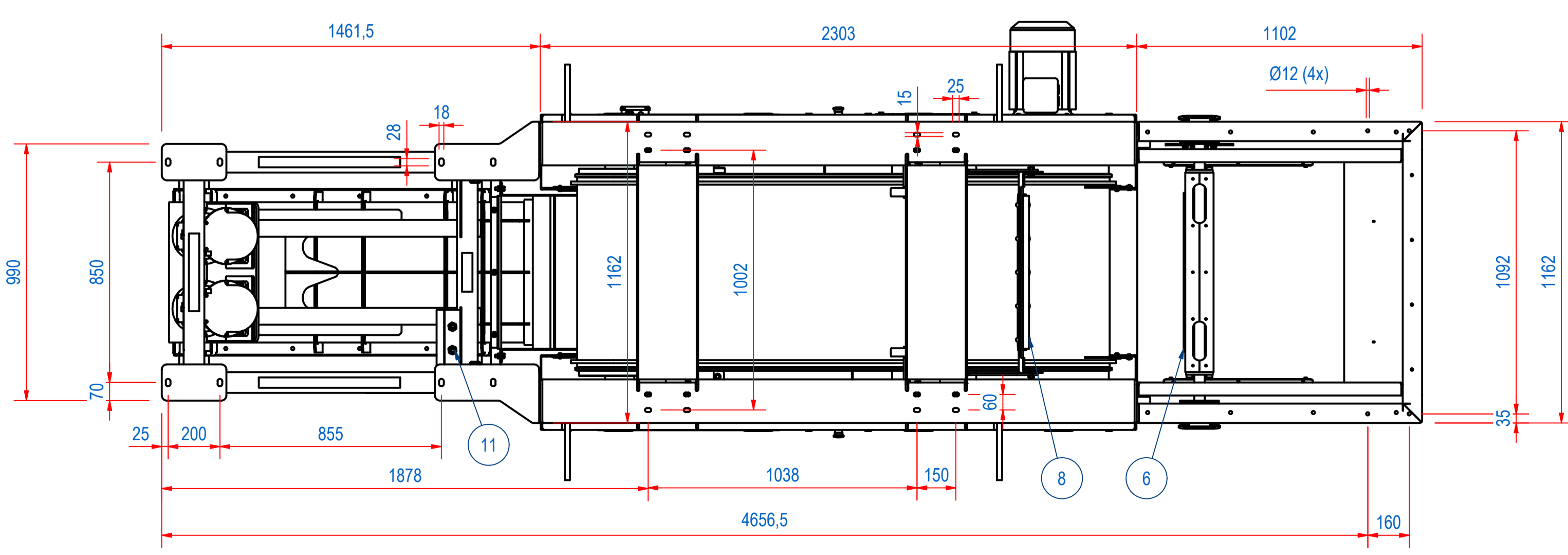


DOC.NR.	REV	DATE	BY	DESCRIPTION
E0139651	-	26-1-2021	TT	ORIGINAL DRAWING

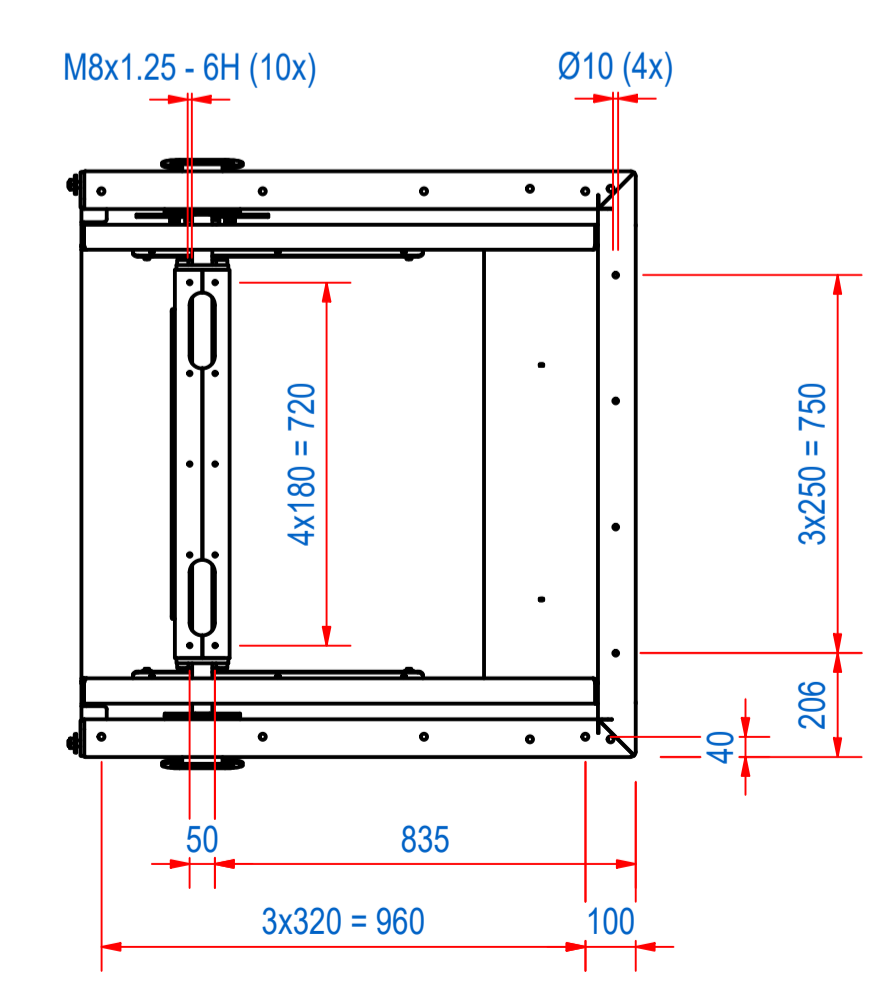


RECOMMENDED FREE SPACE AROUND THE MACHINE FOR INSPECTION IS 800 MM

LAYOUT MOUNTING HOLES



LAYOUT MOUNTING HOLES FUNNEL



ELECTRICAL PROPERTIES
CURRENT: 20 A
POWER: 12,8 KVA

ITEM	QTY	PART NUMBER	DESCRIPTION	Dimensions
18	1	E0109733	RECV-DM-055-F36	
17	1	E0116424	RECV-DS-06-SS	
16	1	E0025947	RMD-06-32-RN-B-OR-30S2	
15	1	E0116333	RECV-DH-06-M	
14	1	E0115985	RECV-VB-06-VM16-05-N	
13	1	E0116780	RECV-VF-06-MD	
12	1	E0116494	RECM-06-E22HI	
11	1	E0133469	RECV-CS-G-D	
10	2	E0129382	STICKER ECS HOISTING	
9	2	E0120504	STICKER EDDYXPRT W700 H222 WHITE	
8	1	E0116552	RECE-BS-06-X-NBR	
7	1	E0116450	RECE-EF-06-X-R	
6	1	E0116579	RECE-SP-06-S	
5	1	E0075434	RECE-SA-M-B	
4	1	E0116594	RECE-SB-06-M-ST	
3	2	E0120519	STICKER GOUDSMIT MAG. W600 WHITE	
2	1	E0098479	DATA PLATE	
1	1	E0116490	RECE-CB-06-X-PU-30	

RAW MAT.	Quantity	Material Number	Material Description	General tolerance:	Length (mm)	Width (mm)
1				ISO 2768 - mK		

Drawn: TT	Weight (kg): 2465	Source: MC-C	Quick search: REC-06	Drawn according to: ISO 268; ISO1101; ISO2553	Status: Released	Customer reference number:	Document number: E0139651	Doc.Rev:
Description: REC-06-E22HI-B-MAB-SM-PU-R				Part number: E0139652				