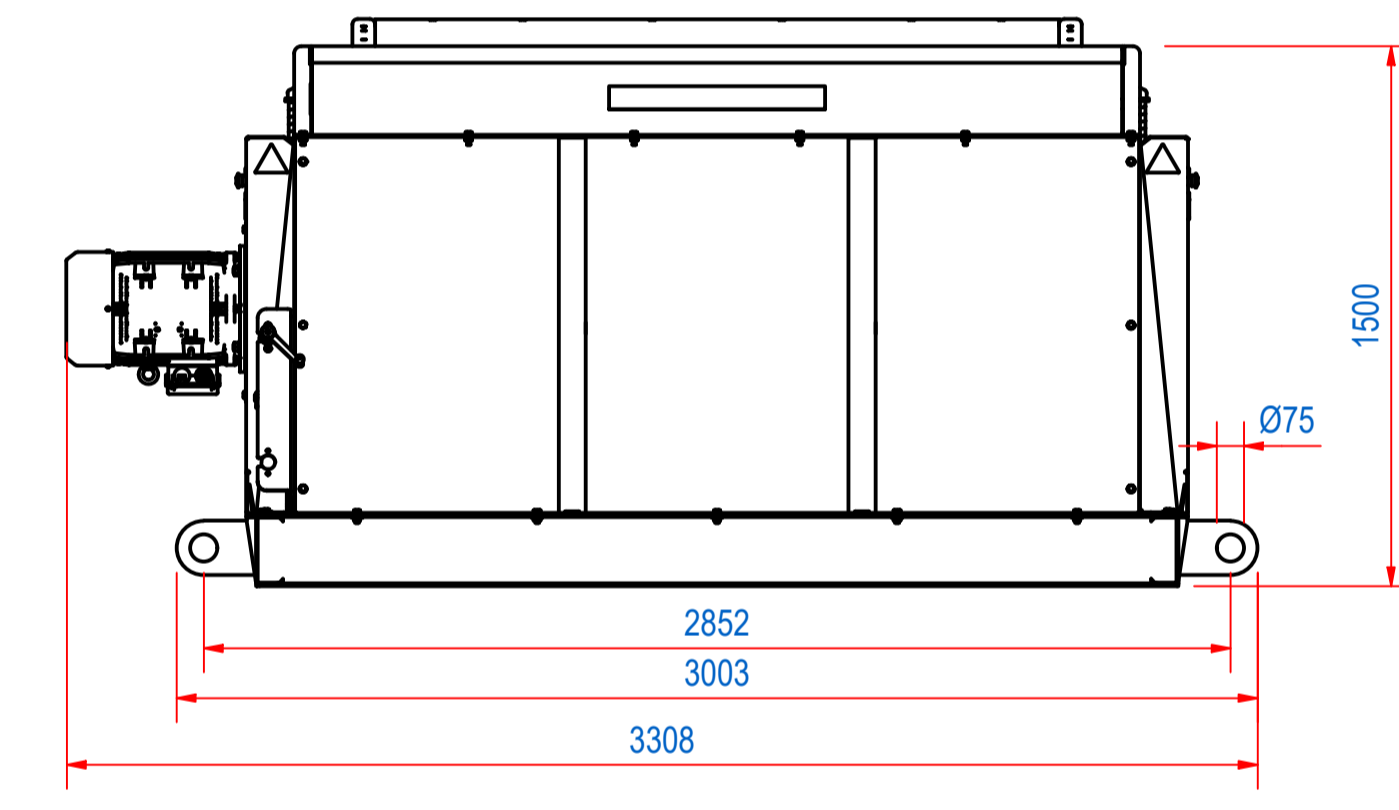
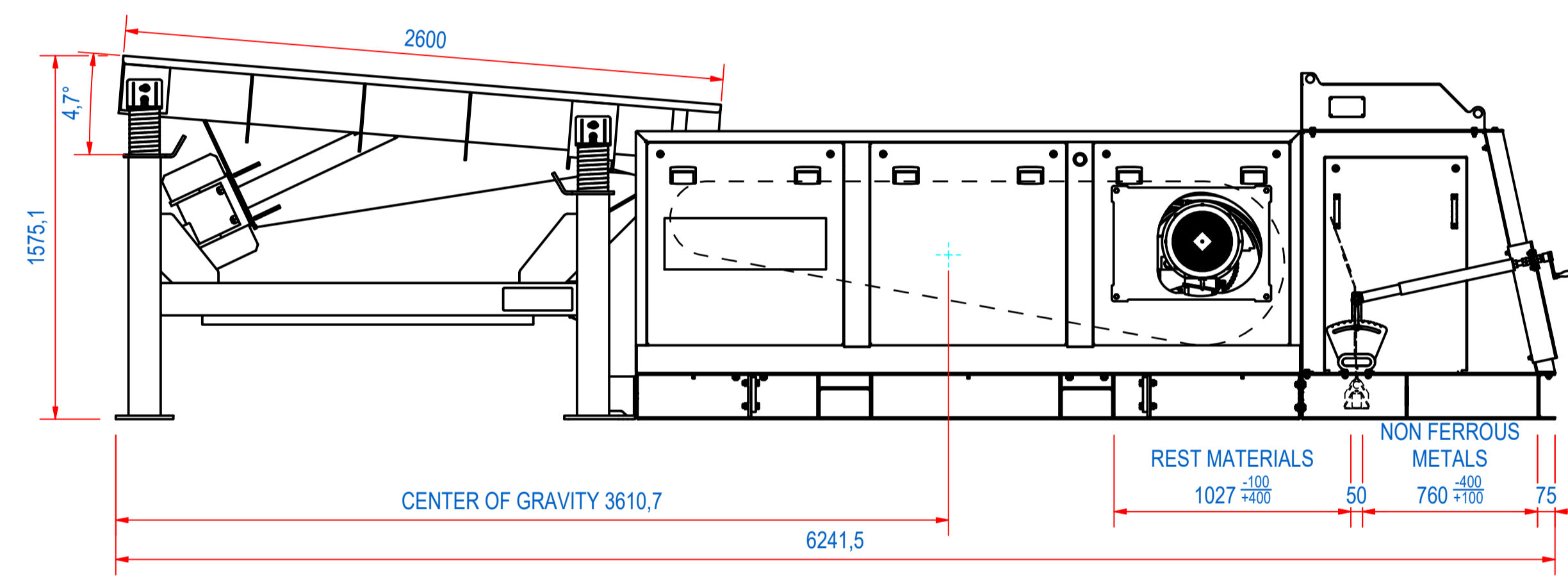
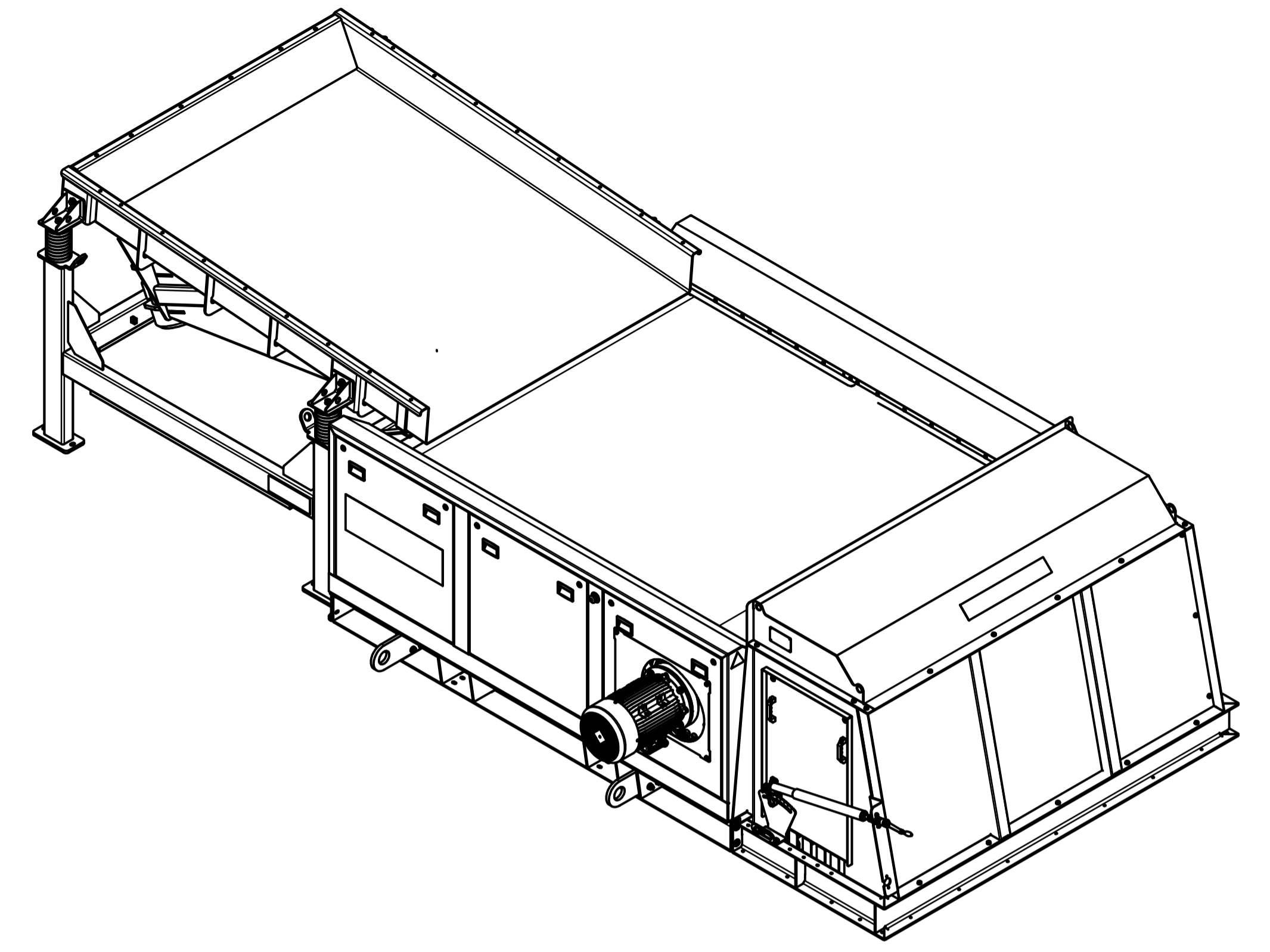
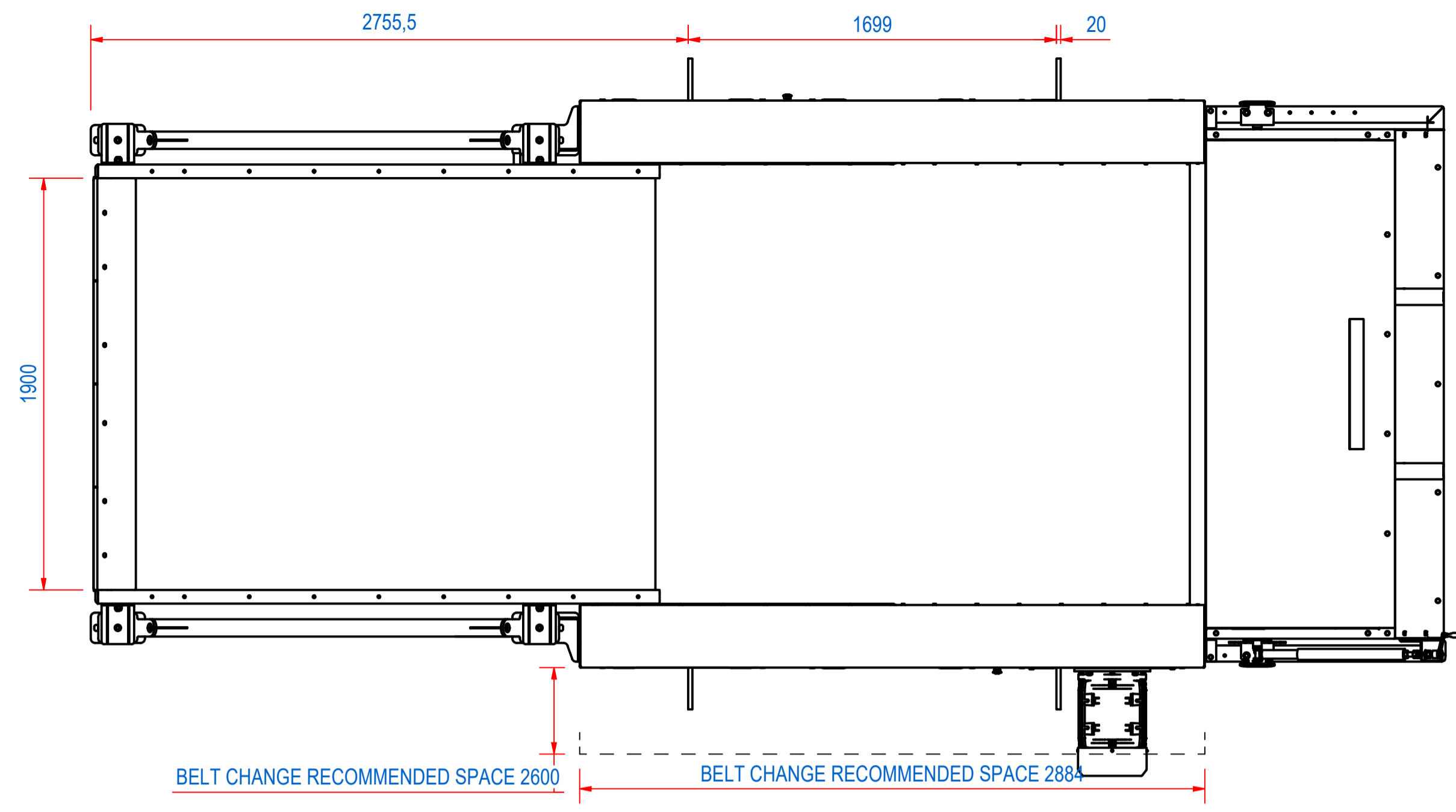
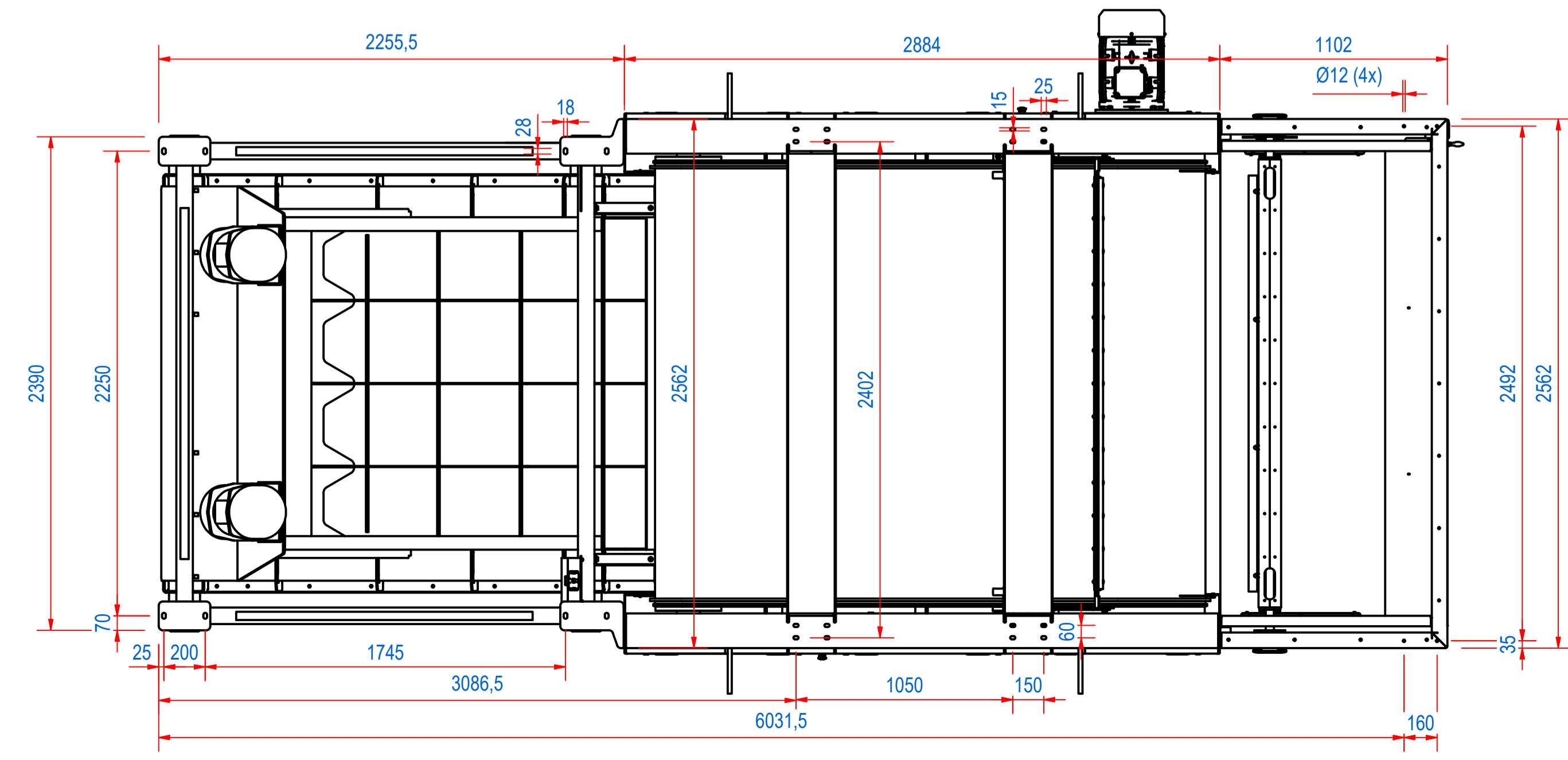


DOC.NR.	REV	DATE	BY	DESCRIPTION
E0142790	-	11-5-2021	TT	ORIGINAL DRAWING

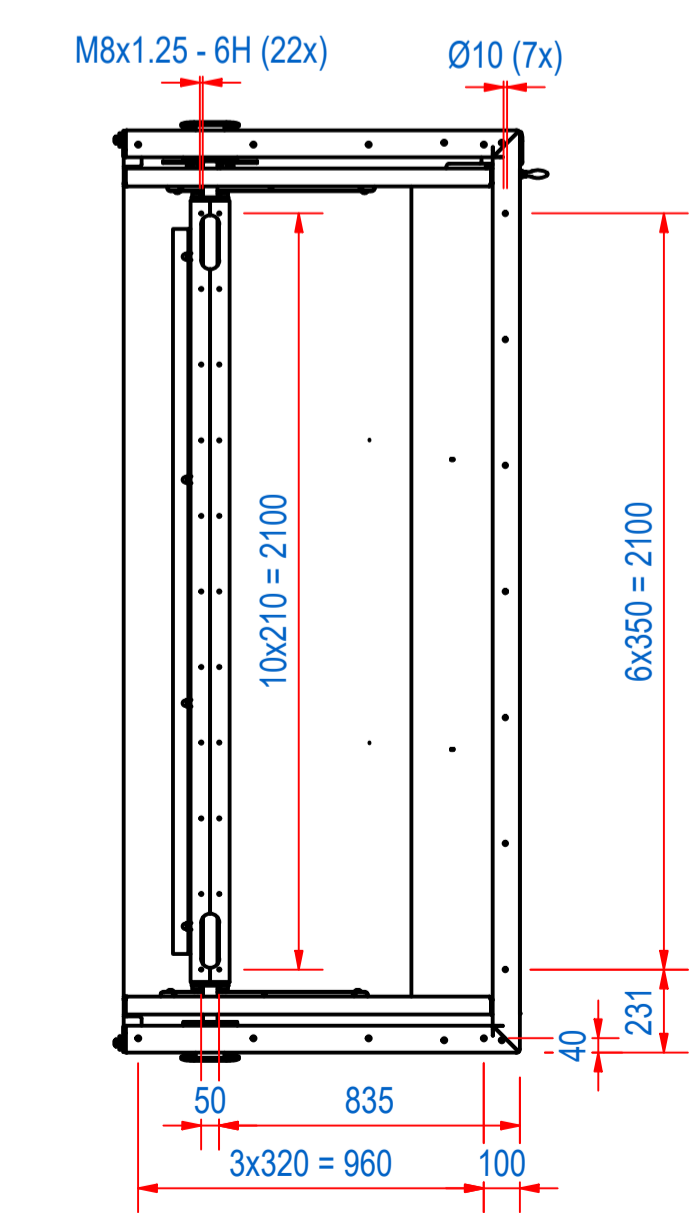


RECOMMENDED FREE SPACE AROUND THE MACHINE FOR INSPECTION IS 800 MM

LAYOUT MOUNTING HOLES



LAYOUT MOUNTING HOLES FUNNEL



Transportation Specification				
Main Module	Length	Width	Height	Mass
Feeder Module	2625 mm	2562 mm	1575 mm	1121 kg
ECS Module	2884 mm	3308 mm	1248 mm	3633 kg
Separation Box	1102 mm	2607 mm	1500 mm	453 kg

ITEM	QTY	PART NUMBER	DESCRIPTION	Dimensions
15	2	E0129382	STICKER ECS HOISTING	
14	1	E0098479	DATA PLATE	
13	1	E0130264	RECMZ-20-E38HI	
12	1	E0109220	RECE-CS-C	
11	1	E0117504	RECV-VB-20-VM26-05-N	
10	2	E0120506	STICKER EDDYFINES W700 H222 WHITE	
9	1	E0108037	RECE-SA-S-R	
8	1	E0126298	RECE-EF-20-F-R	
7	1	E0117508	RECV-VF-20-N	
6	1	E0134176	RECV-CS-C-N	
5	1	E0118221	RECE-BS-20-X-NBR	
4	1	E0118403	RECE-SP-20-FM	
3	1	E0118229	RECE-SB-20-M-ST	
2	2	E0120519	STICKER GOUDSMIT MAG. W600 WHITE	
1	1	45.1800093	RECE-CB-20-F-PU-24	

RAW MAT.	Quantity	Material Number	Material Description	General tolerance:	Length (mm)	Width (mm)
1				ISO 2768 - mK		
Drawn:	Sheet:	Extra info:	WEBSITE MODEL	Drawn according to:	ISO268; ISO1101; ISO2553	
TT	A1			Status:	Released	
Date:	11-5-2021	Source:	MC-C	Customer reference number:		
Spare part:	False	Quick search:	REC-20	Document number:	E0142790	
Description:	REC-20-E38HI-N-MAB-FMS-PU-R			Part number:	E0142791	

ELECTRICAL PROPERTIES
CURRENT: 32 A
POWER: 17,5 kVA