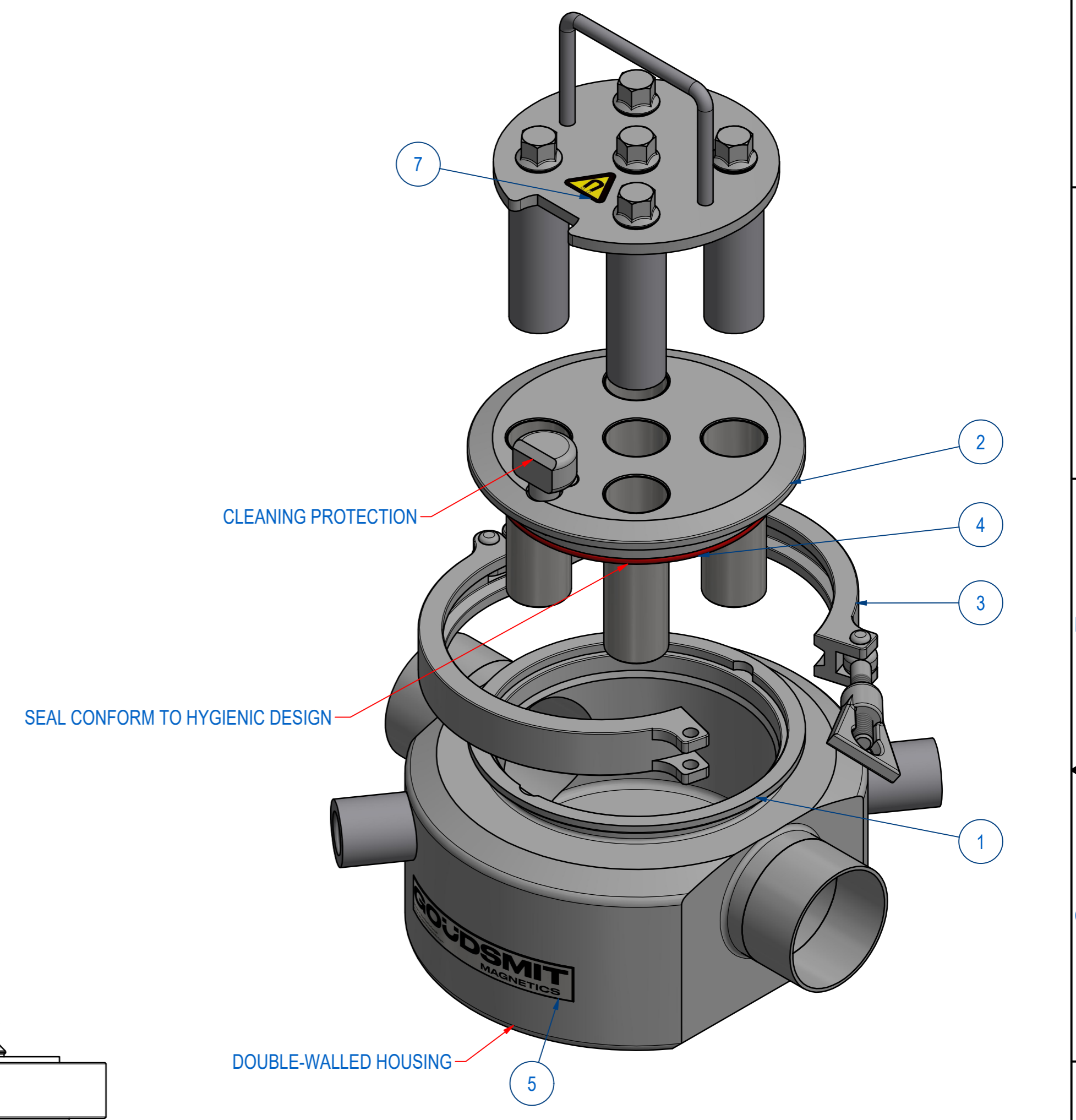
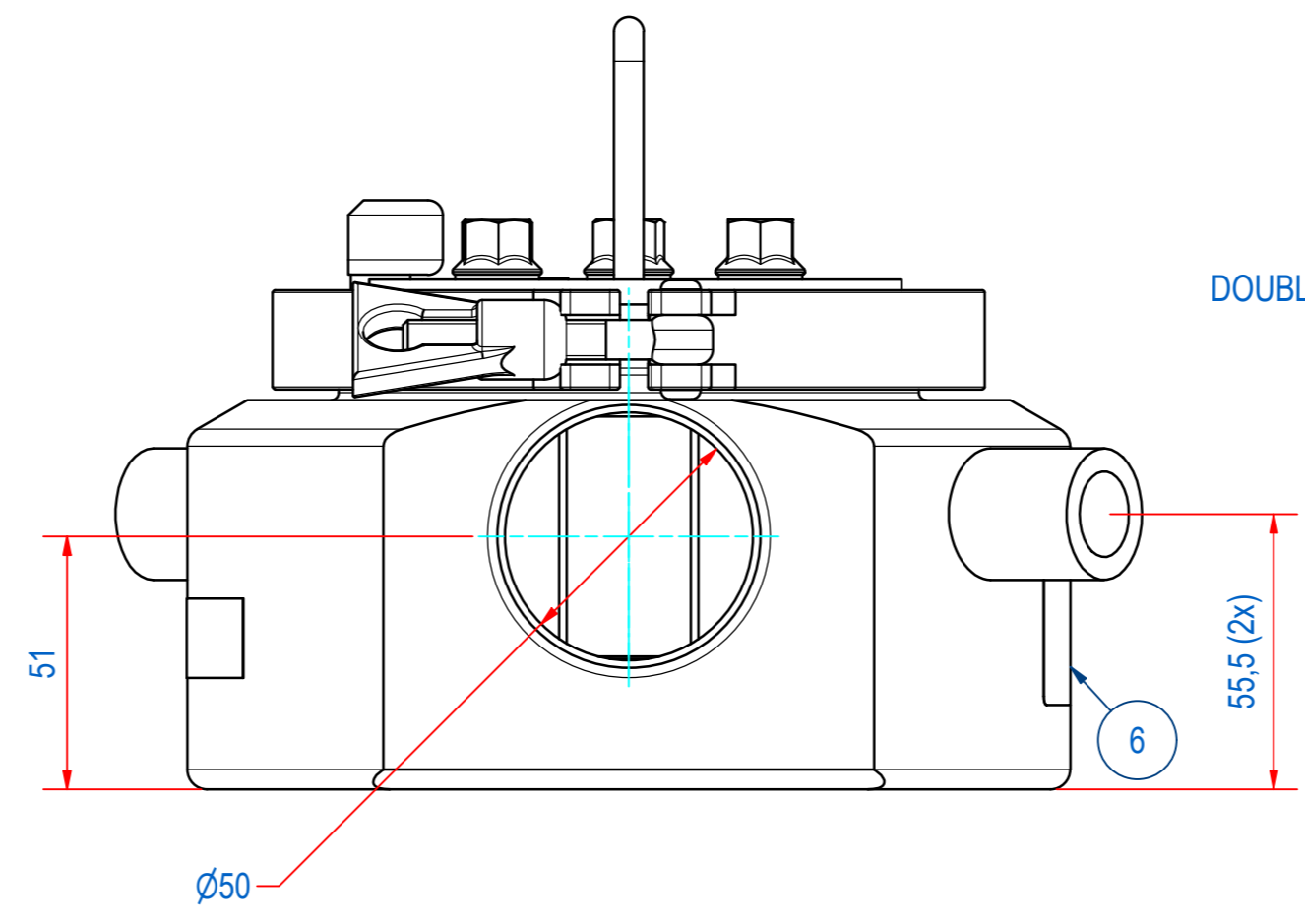
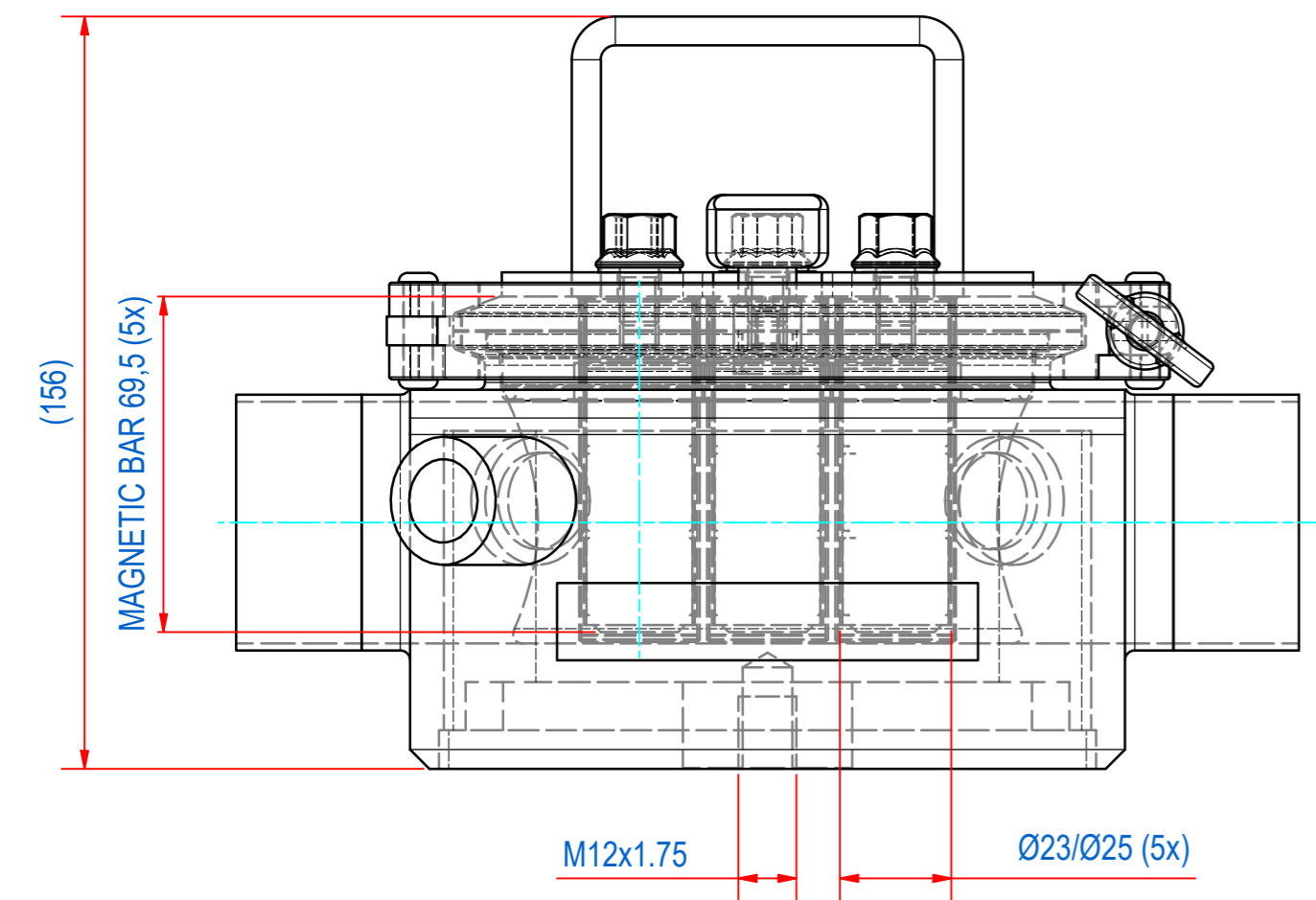
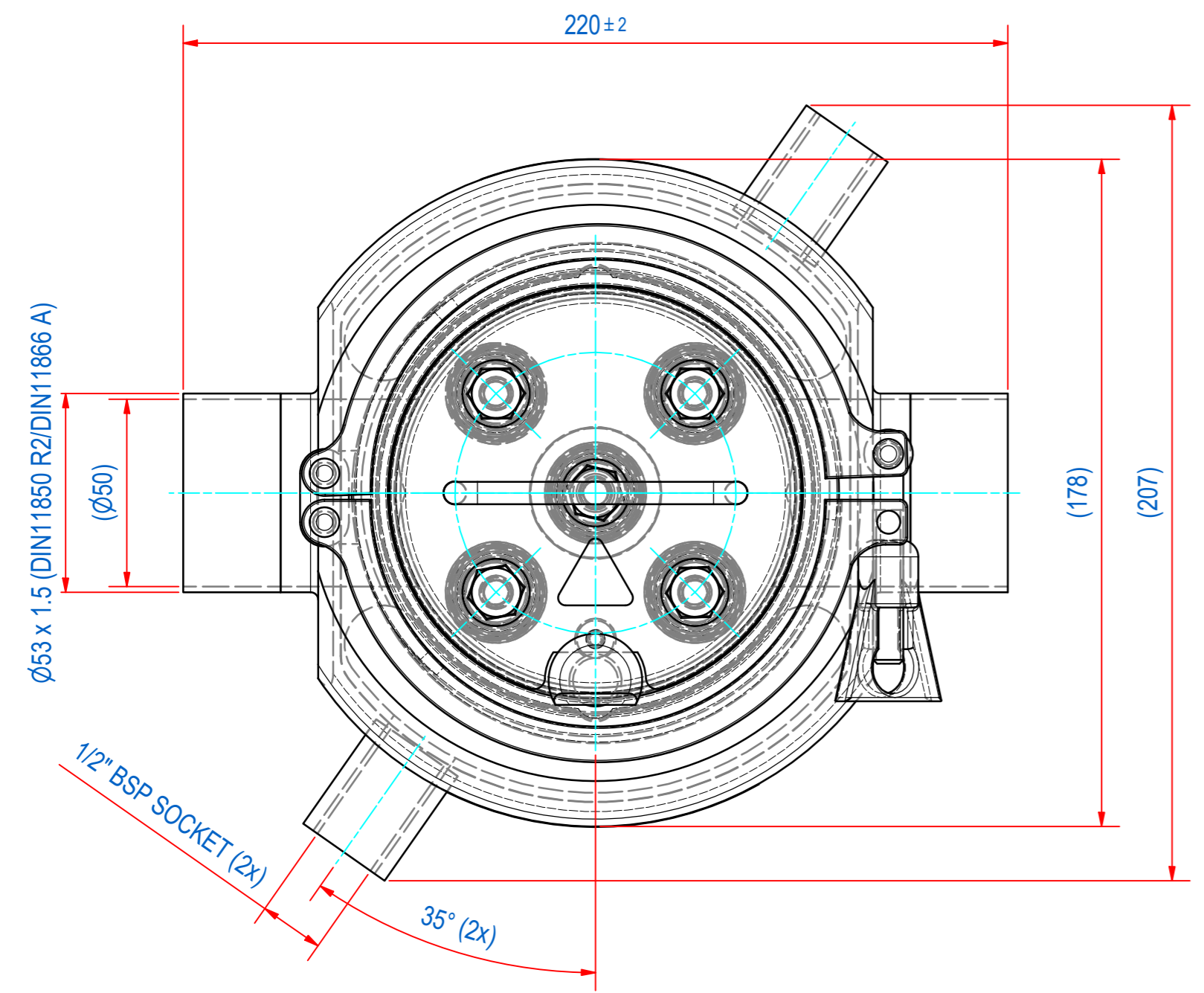


REV	DATE	BY	DESCRIPTION
-	24-9-2021	AvD	REFERENCE DRAWING E0016970



ITEM	QTY	PART NUMBER	DESCRIPTION	Dimensions
7	1	1000.20080	STICKER MAGNETIC FIELD 20mm	
6	1	E0146640	TYPE PLATE FILTER SFHD	
5	1	E0146639	STICKER SFHD GSM D178	
4	1	E0017388	SFH-S-000-S O-RING RED EC1935	
3	1	77.9630092	GPF-TRI CLAMP Ø130	
2	1	E0012550	SFH-SPARE-050-05E-HT FILTER TOP	
1	1	E0142957	SFHD-050-T1 HOUSE 316L	

RAW MAT.	Quantity	Material Number	Material Description	Length (mm)	Width (mm)
1	1				

Sheet: <b>A2</b>	Extra info: <b>MAGNETIC FILTER</b>	General tolerance: <b>ISO 2768 - mK</b>
Drawn: <b>AvD</b>	Weight (kg): <b>10</b>	Drawn according: <b>ISO268; ISO1101; ISO2553</b>
Date: <b>19-5-2021</b>		Status: <b>Released</b>
Spare part: <b>False</b>		Customer reference number:
Quick search: <b>SFHD-050</b>		
Description: <b>SFHD-050-T1-05E-HT-F5M-S-B-B</b>	Document number: <b>E0142956</b>	Doc.Rev: <b>-</b>
	Part number: <b>E0142956</b>	Rev: <b>-</b>