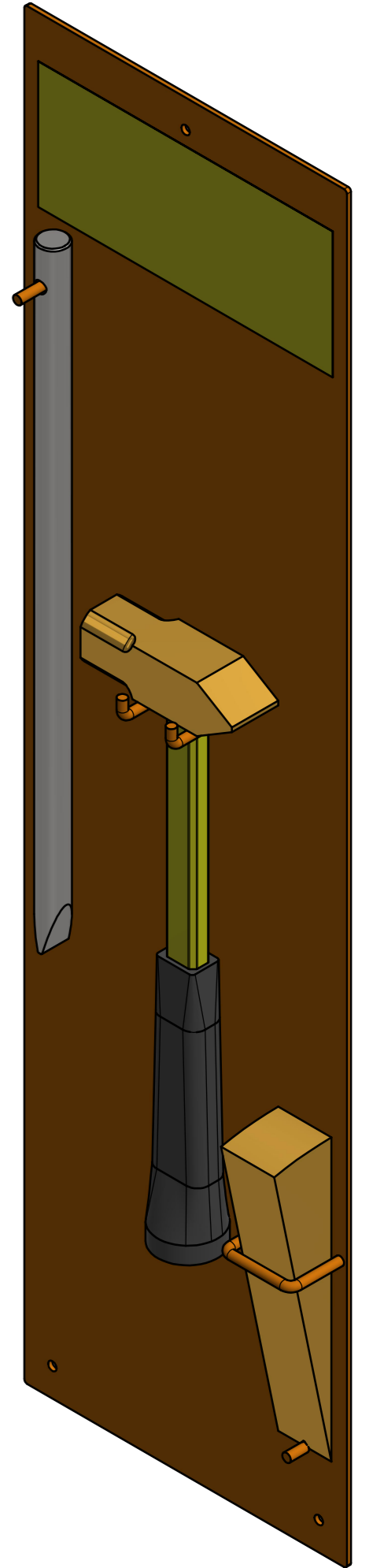
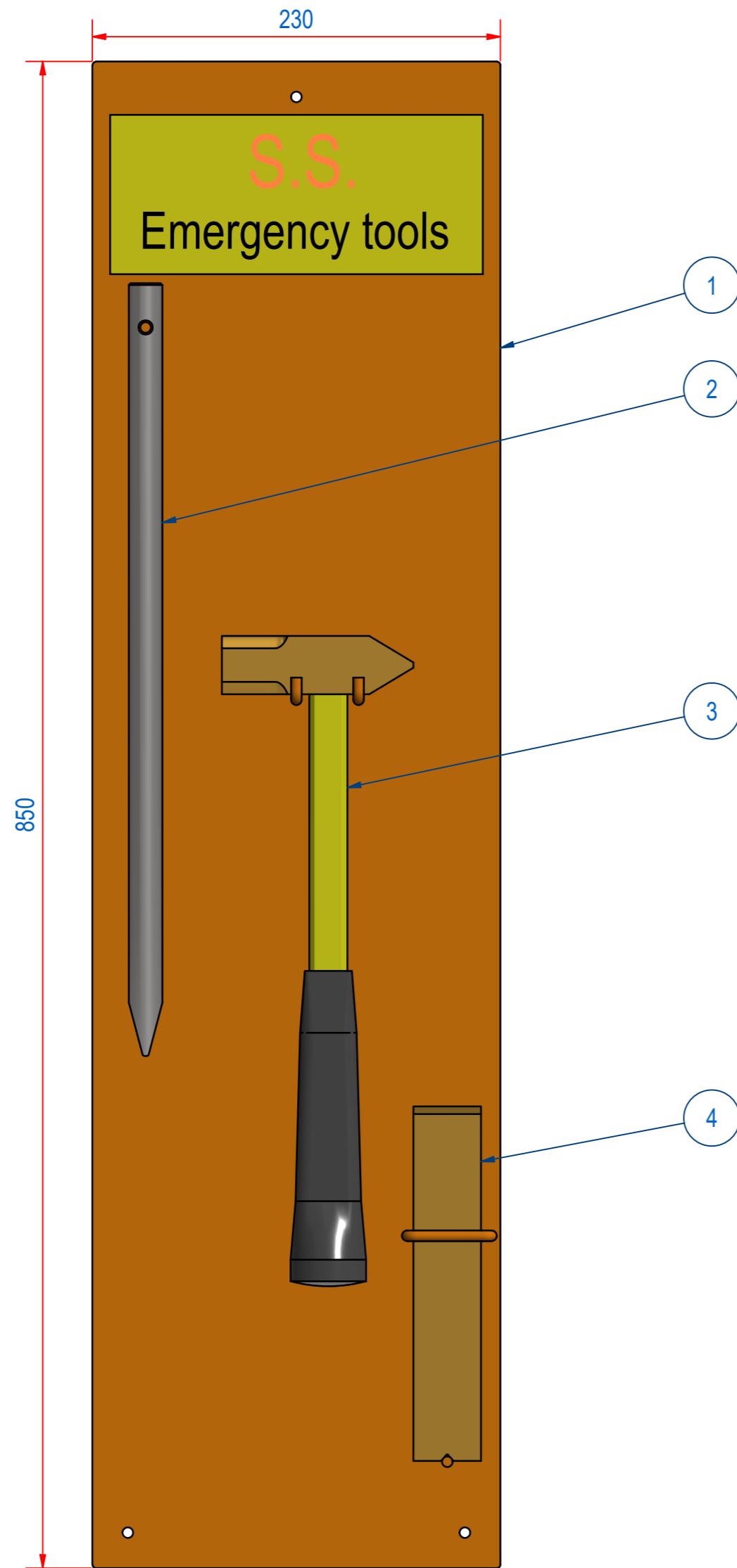


DOC.NR.	REV	DATE	BY	DESCRIPTION
E0144988	-	30-7-2021	CR	ORIGINAL DRAWING



ITEM	QTY	PART NUMBER	DESCRIPTION	Dimensions
4	1	65.0000053	FLANGE WEGDE 38x41x200 AIBz	
3	1	65.0000054	HAMMER SAFETY 500GR.	
2	1	65.0000055	WRECKING BAR 435x19 MM	
1	1	E0144984	BOARD RESCUE TOOLS	

RAW MAT.	Quantity	Material Number	Material Description	Length (mm)	Width (mm)
	1				

Sheet: A2	Extra info:	General tolerance: ISO 2768 - mK
Drawn: CR	Weight (kg): 9,4	Drawn according: ISO268; ISO1101; ISO2553
Date: 30-7-2021	GOUDSMIT MAGNETICS	Status: Standard
Spare part: False		Customer reference number:
Quick search:	© All rights reserved. Reproduction is not permitted without written permission of GOUDSMIT Magnetic Systems BV	Document number: E0144988
Description: MS-TS-EMERGENCY TOOLS		Part number: E0144988