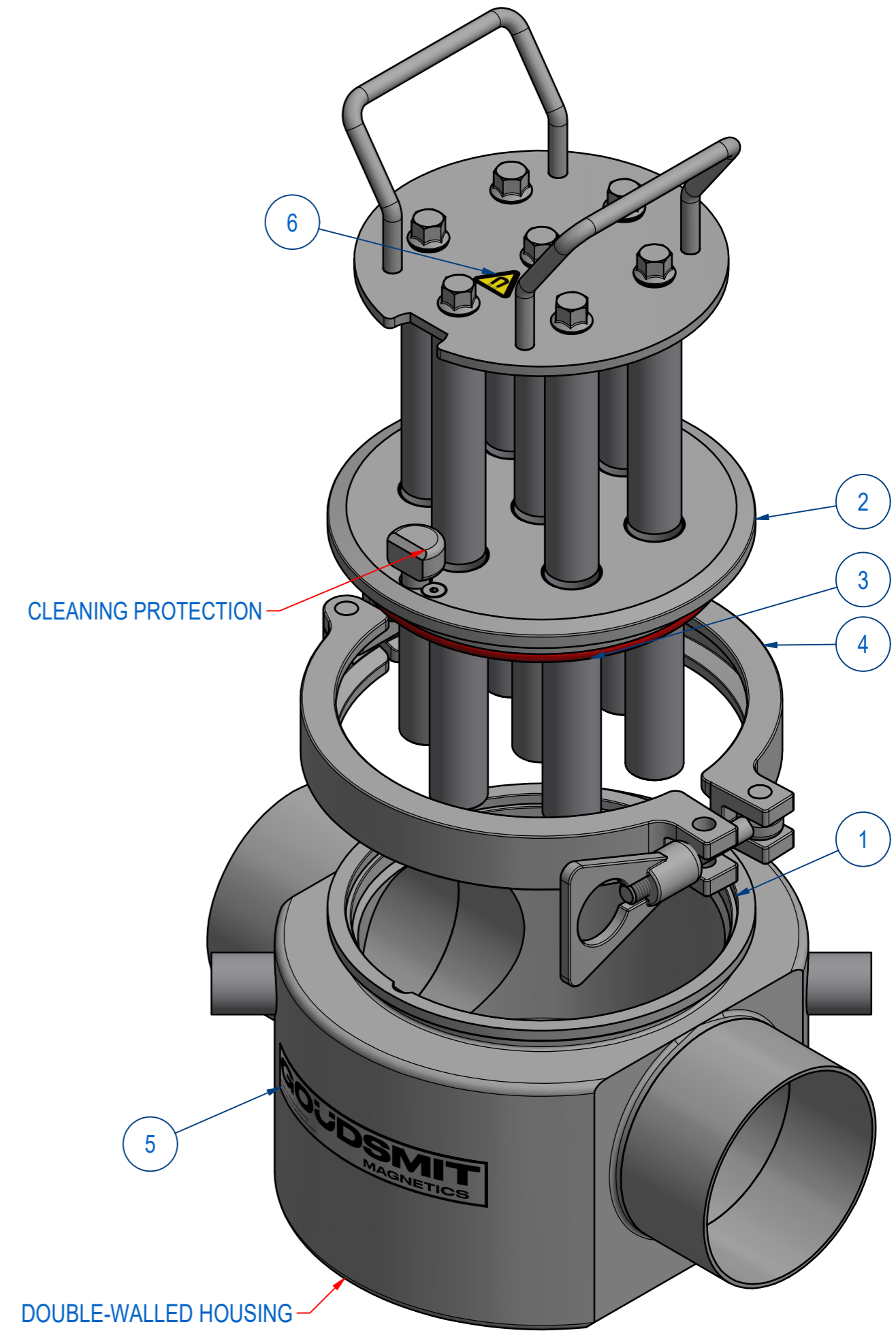
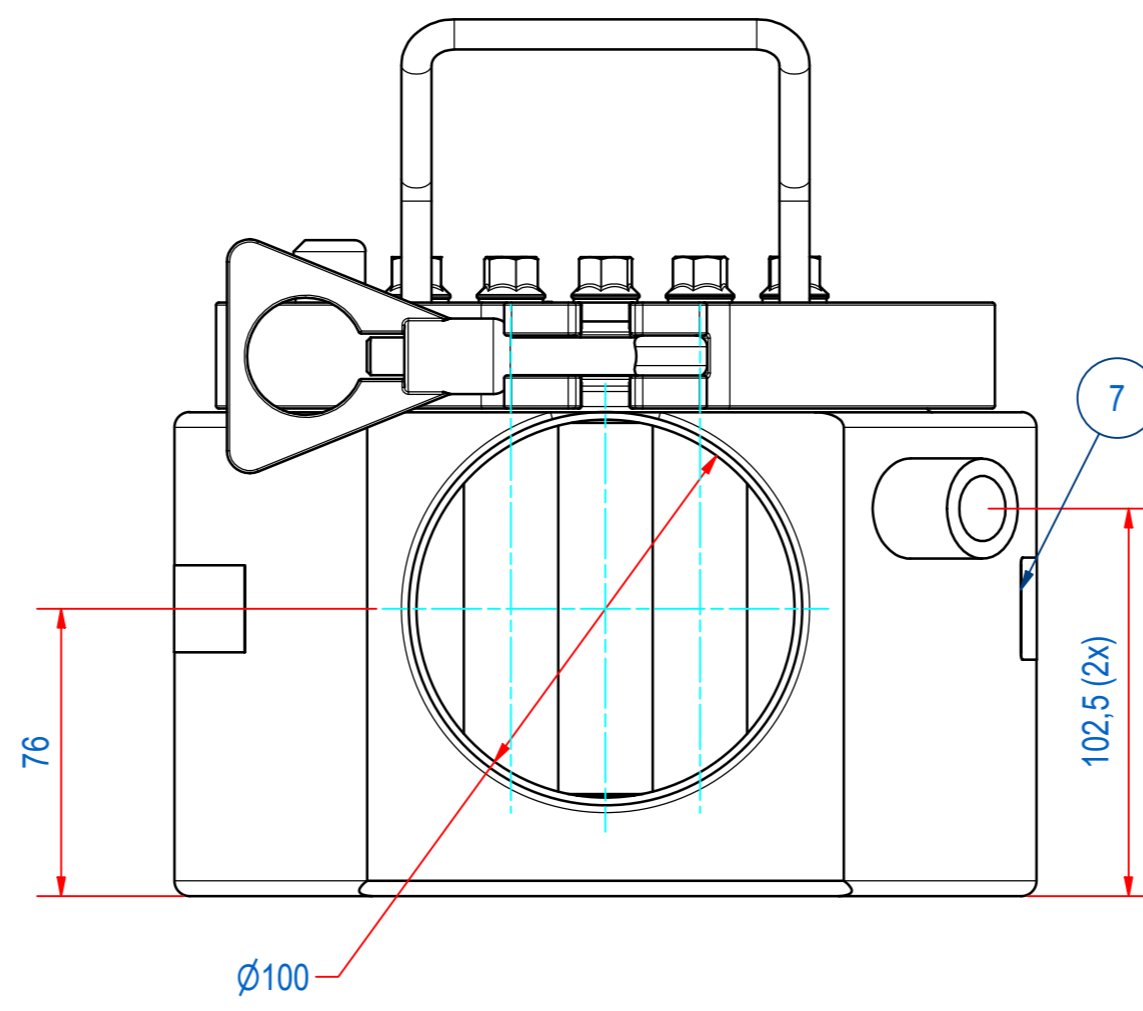
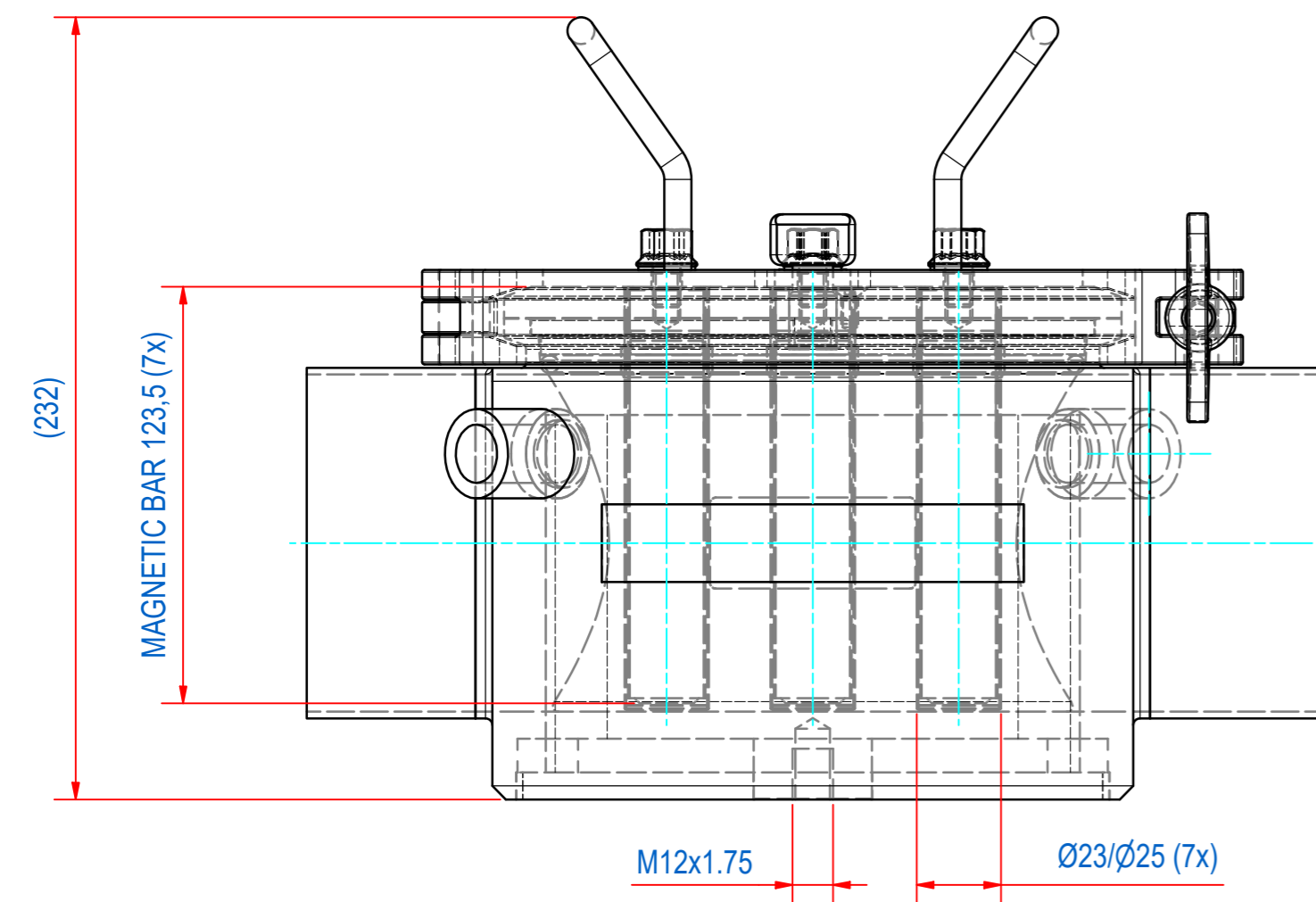
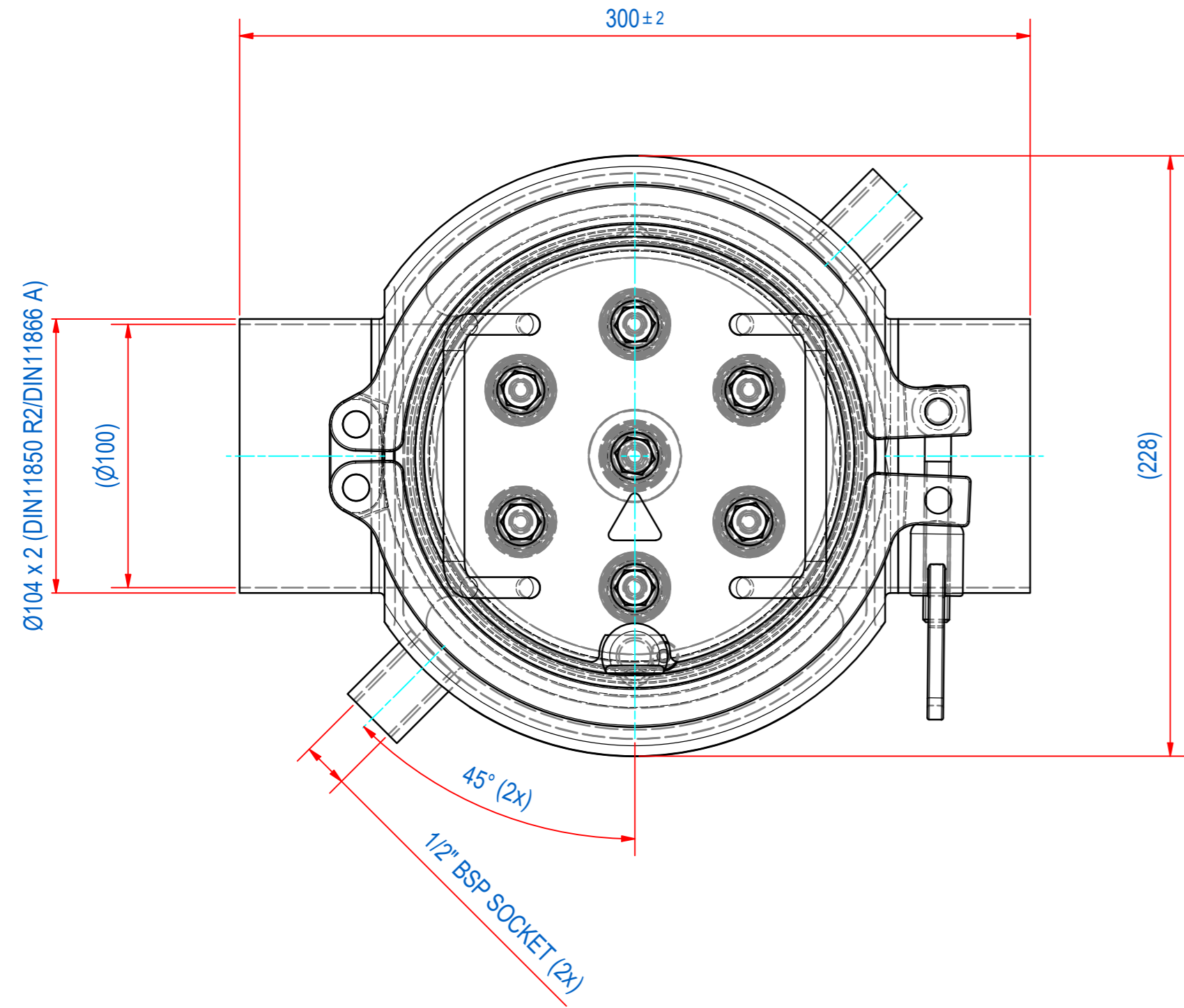


| 3        | 2   | 1         |     |                            |
|----------|-----|-----------|-----|----------------------------|
| DOC.NR.  | REV | DATE      | BY  | DESCRIPTION                |
| E0146470 | -   | 21-9-2021 | AvD | REFERENCE DRAWING E0015745 |



| ITEM | QTY | PART NUMBER | DESCRIPTION                     | Dimensions |
|------|-----|-------------|---------------------------------|------------|
| 7    | 1   | E0146494    | TYPE PLATE FILTER SFHD          |            |
| 6    | 1   | 1000.20080  | STICKER MAGNETIC FIELD 20mm     |            |
| 5    | 1   | E0146491    | STICKER SFHD GSM D228           |            |
| 4    | 1   | 77.9630140  | GPFI-TRI CLAMP Ø183             |            |
| 3    | 1   | E0018393    | SFH-S-000-S O-RING RED EC1935   |            |
| 2    | 1   | E0013258    | SFH-SPARE-100-07E-HT FILTER TOP |            |
| 1    | 1   | E0146214    | SFHD-100-T1 HOUSE 316L          |            |

| RAW MAT. | Quantity | Material Number | Material Description | Length (mm) | Width (mm) |
|----------|----------|-----------------|----------------------|-------------|------------|
| 1        | 1        |                 |                      |             |            |

|                                                  |                                    |                                                  |
|--------------------------------------------------|------------------------------------|--------------------------------------------------|
| Sheet: <b>A2</b>                                 | Extra info: <b>MAGNETIC FILTER</b> | General tolerance: <b>ISO 2768 - mK</b>          |
| Drawn: <b>AvD</b>                                | Weight (kg): <b>23</b>             | Drawn according: <b>ISO268; ISO1101; ISO2553</b> |
| Date: <b>21-9-2021</b>                           |                                    | Status: <b>Released</b>                          |
| Spare part: <b>False</b>                         | Source:                            | Customer reference number:                       |
| Quick search: <b>SFHD-100</b>                    |                                    |                                                  |
| Description: <b>SFHD-100-T1-07E-HT-F5M-S-B-B</b> | Document number: <b>E0146470</b>   | Doc.Rev: <b>-</b>                                |
|                                                  | Part number: <b>E0146470</b>       | Rev: <b>-</b>                                    |