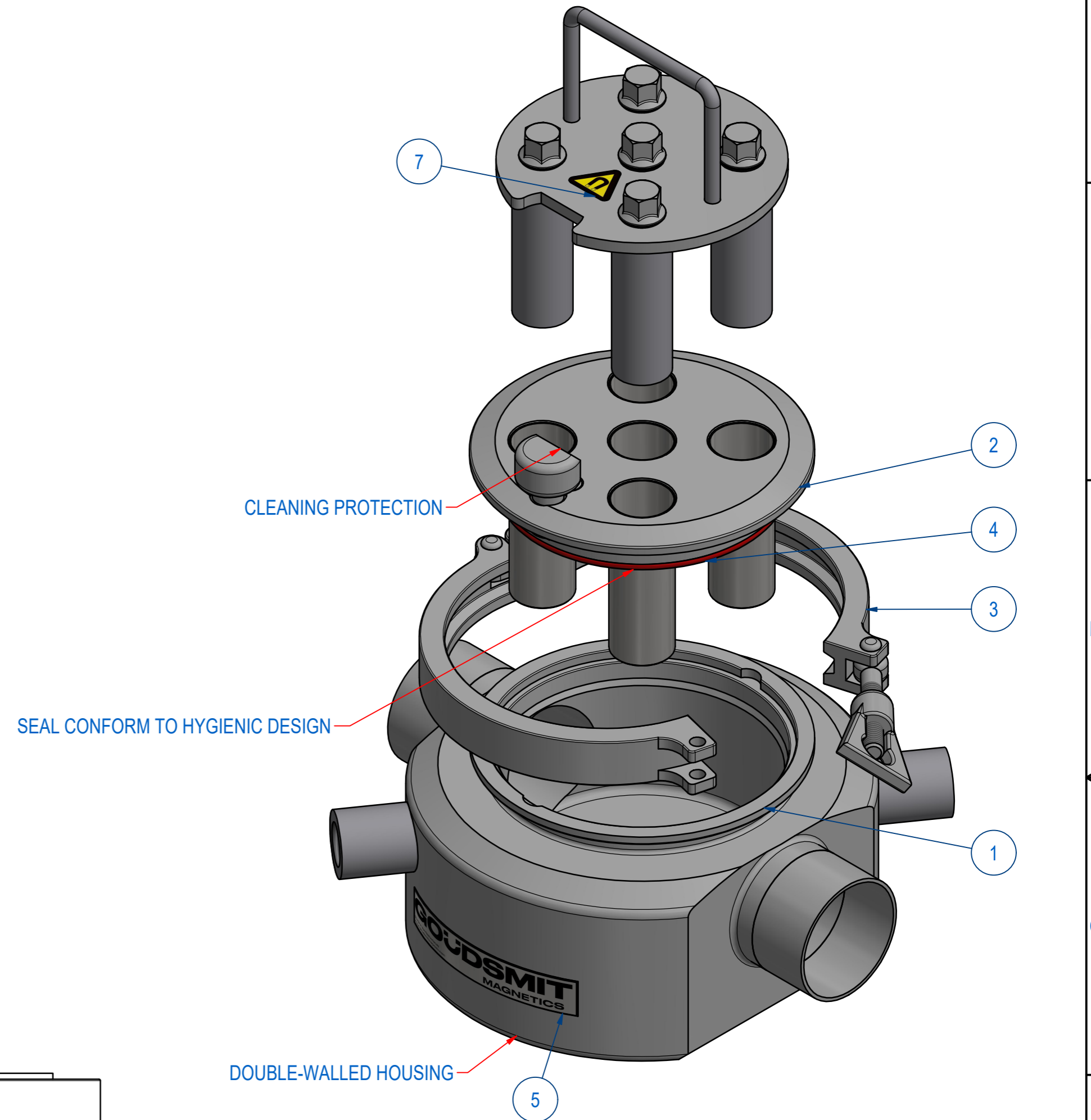
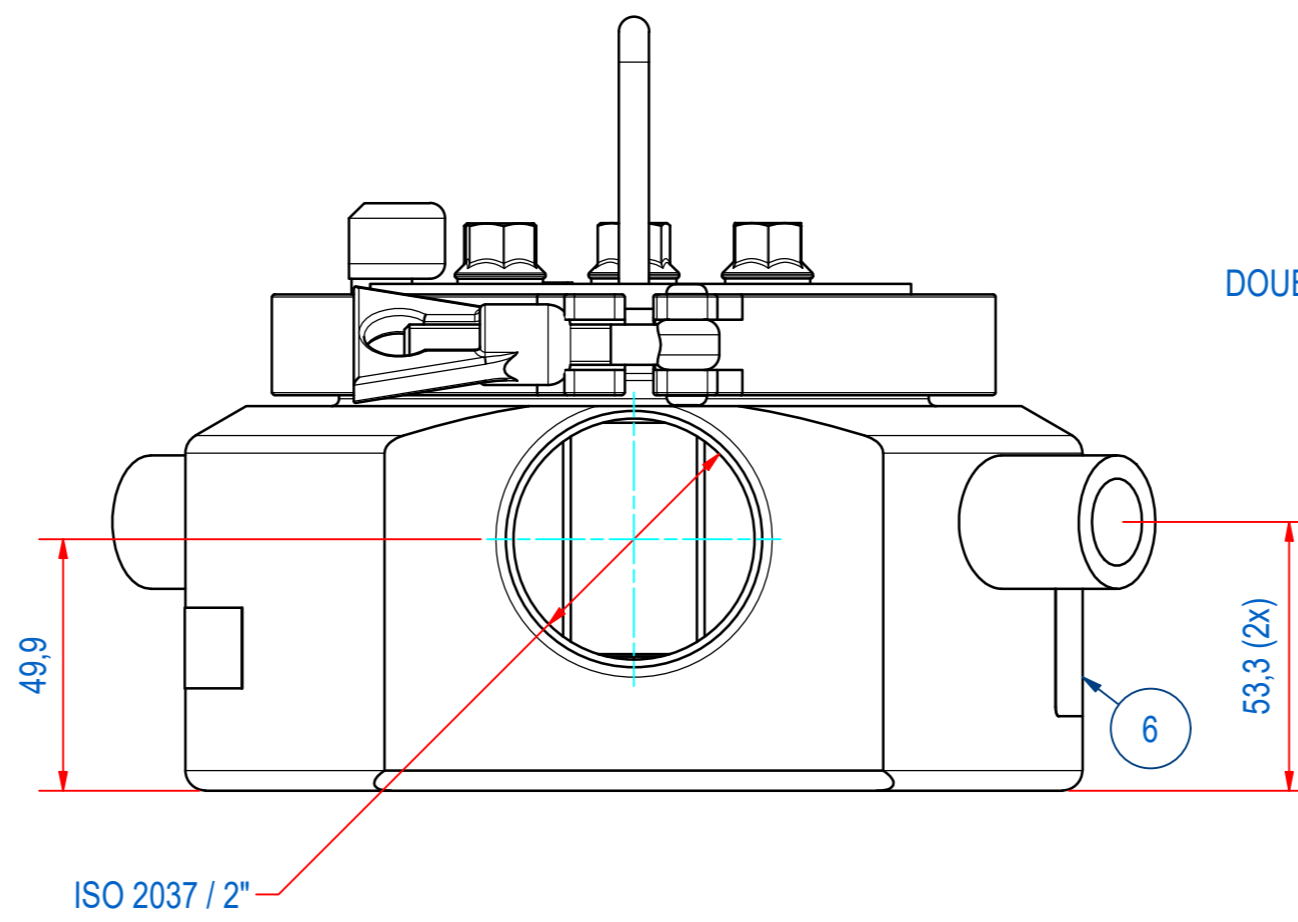
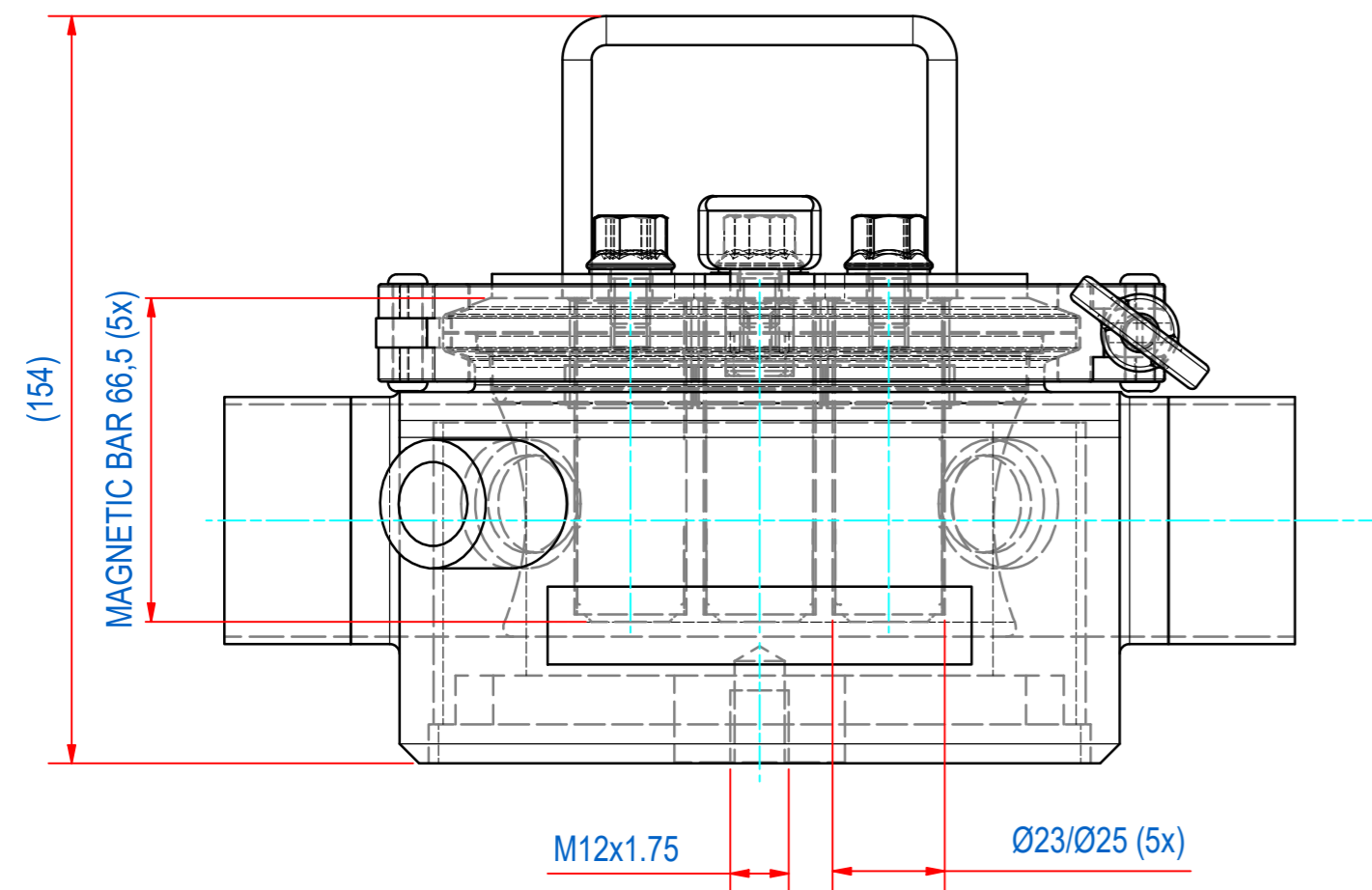
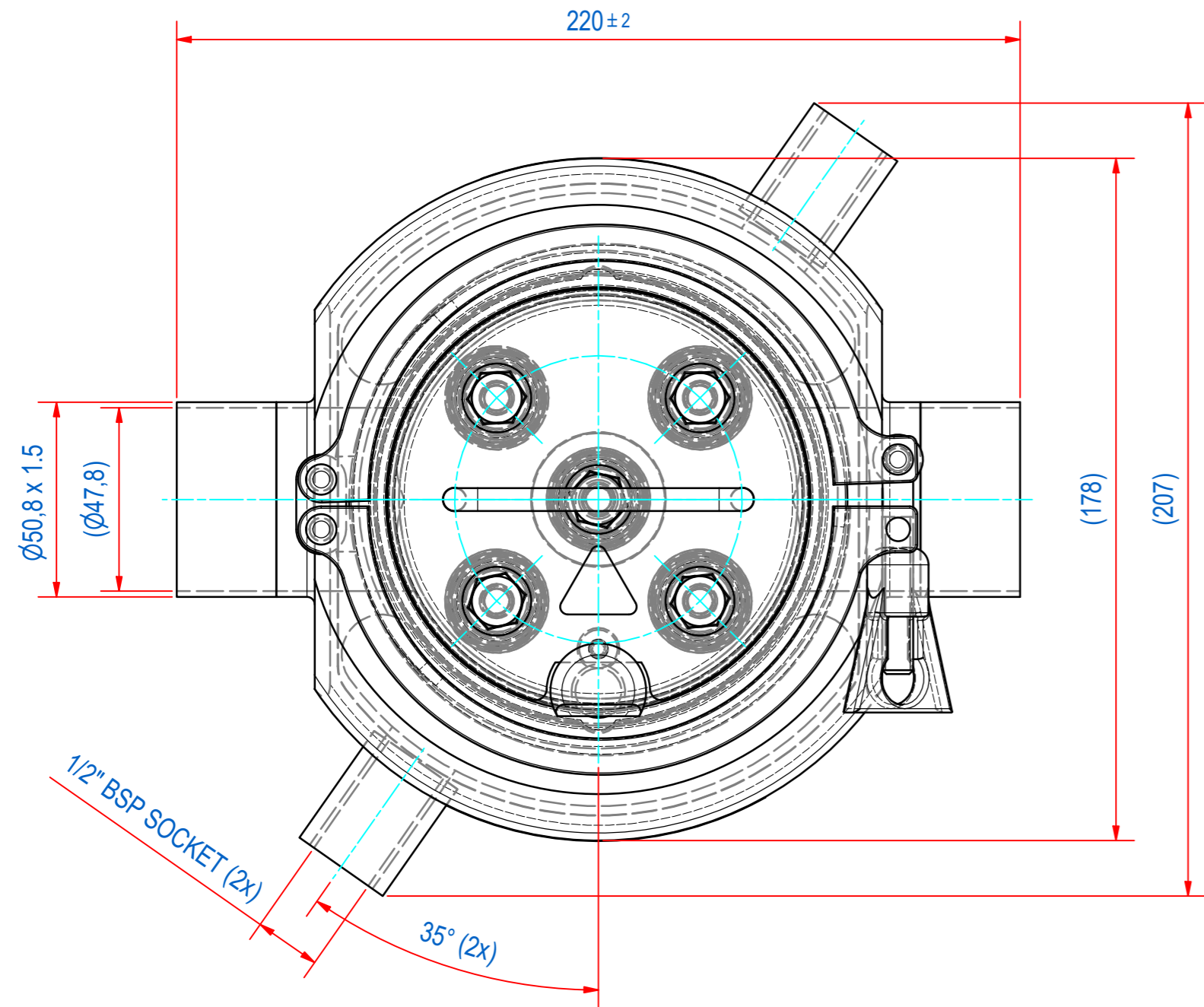


REV	DATE	BY	DESCRIPTION
-	27-9-2021	AvD	REFERENCE DRAWING E0016970



ITEM	QTY	PART NUMBER	DESCRIPTION	Dimensions
7	1	1000.20080	STICKER MAGNETIC FIELD 20mm	
6	1	E0146640	TYPE PLATE FILTER SFHD	
5	1	E0146639	STICKER SFHD GSM D178	
4	1	E0017388	SFH-S-000-S O-RING RED EC1935	
3	1	77.9630092	GPF-TRI CLAMP Ø130	
2	1	E0019444	SFH-SPARE-2"-05E-HT FILTER TOP	
1	1	E0146650	SFHD-2"-T2 HOUSE 316L	

RAW MAT.	Quantity	Material Number	Material Description	Length (mm)	Width (mm)
⊕	1				
Sheet:	A2	Extra info:	MAGNETIC FILTER	General tolerance:	ISO 2768 - mK
Drawn:	AvD	Weight (kg):	9,8	Drawn according:	ISO268; ISO1101; ISO2553
Date:	24-9-2021	Status:	Released	Customer reference number:	
Spare part:	False	Document number:	E0146649	Doc.Rev:	
Quick search:	SFH-2"	Part number:	E0146649	Rev:	
Description:	SFHD-2"-T2-05E-HT-F5M-S-B-B				



© All rights reserved. Reproduction is not permitted without written permission of GOUDSMIT Magnetic Systems BV