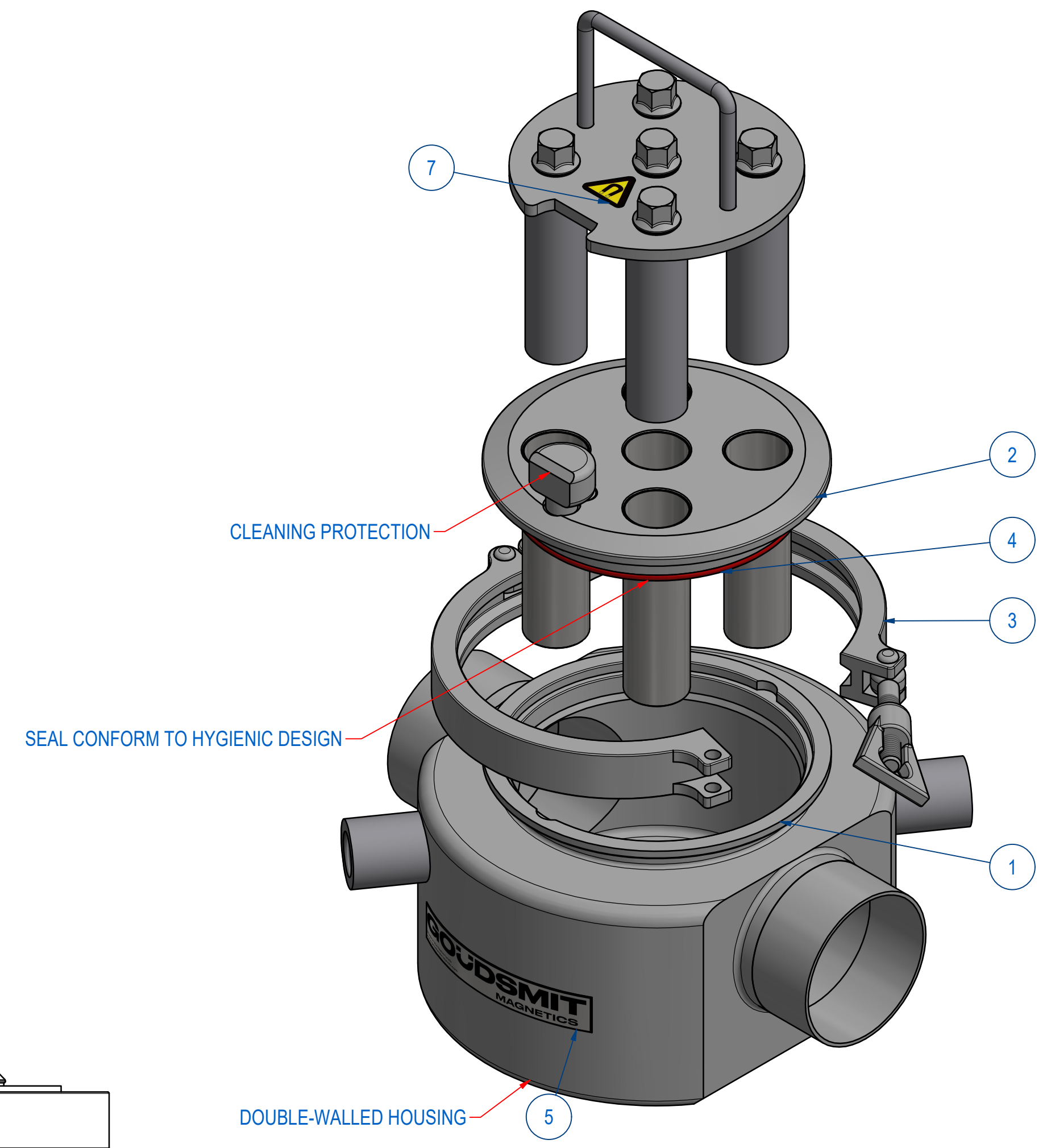
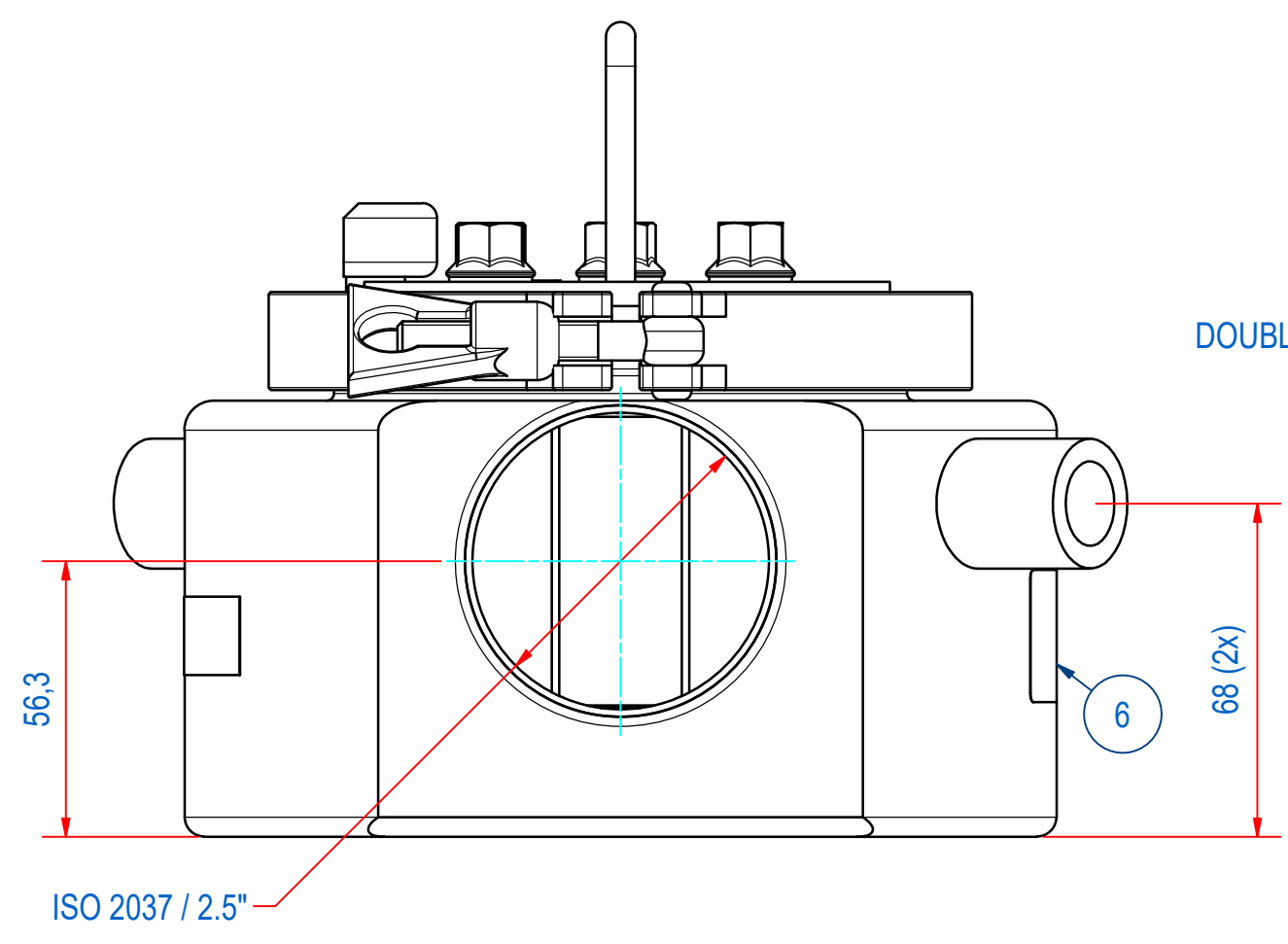
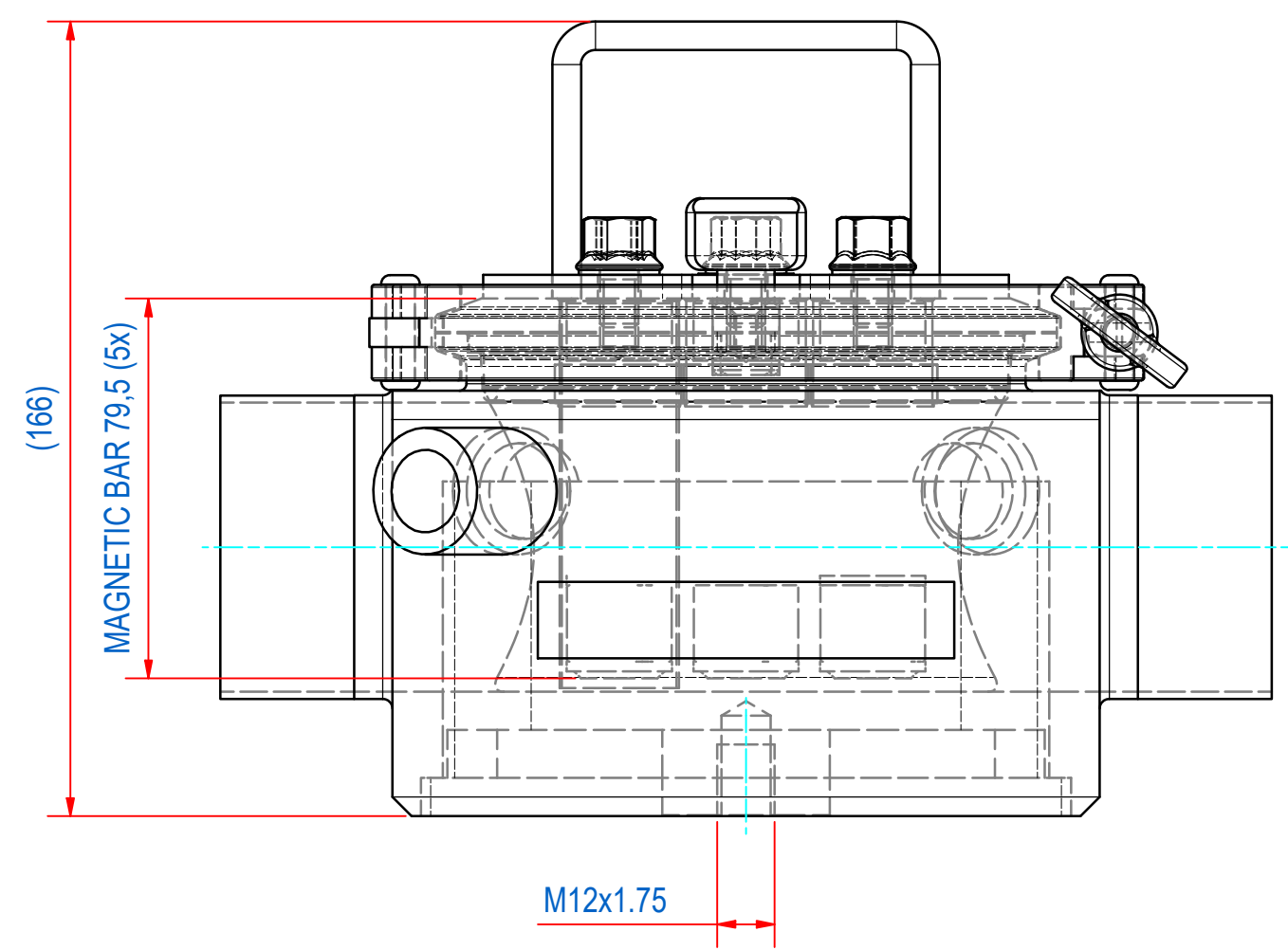
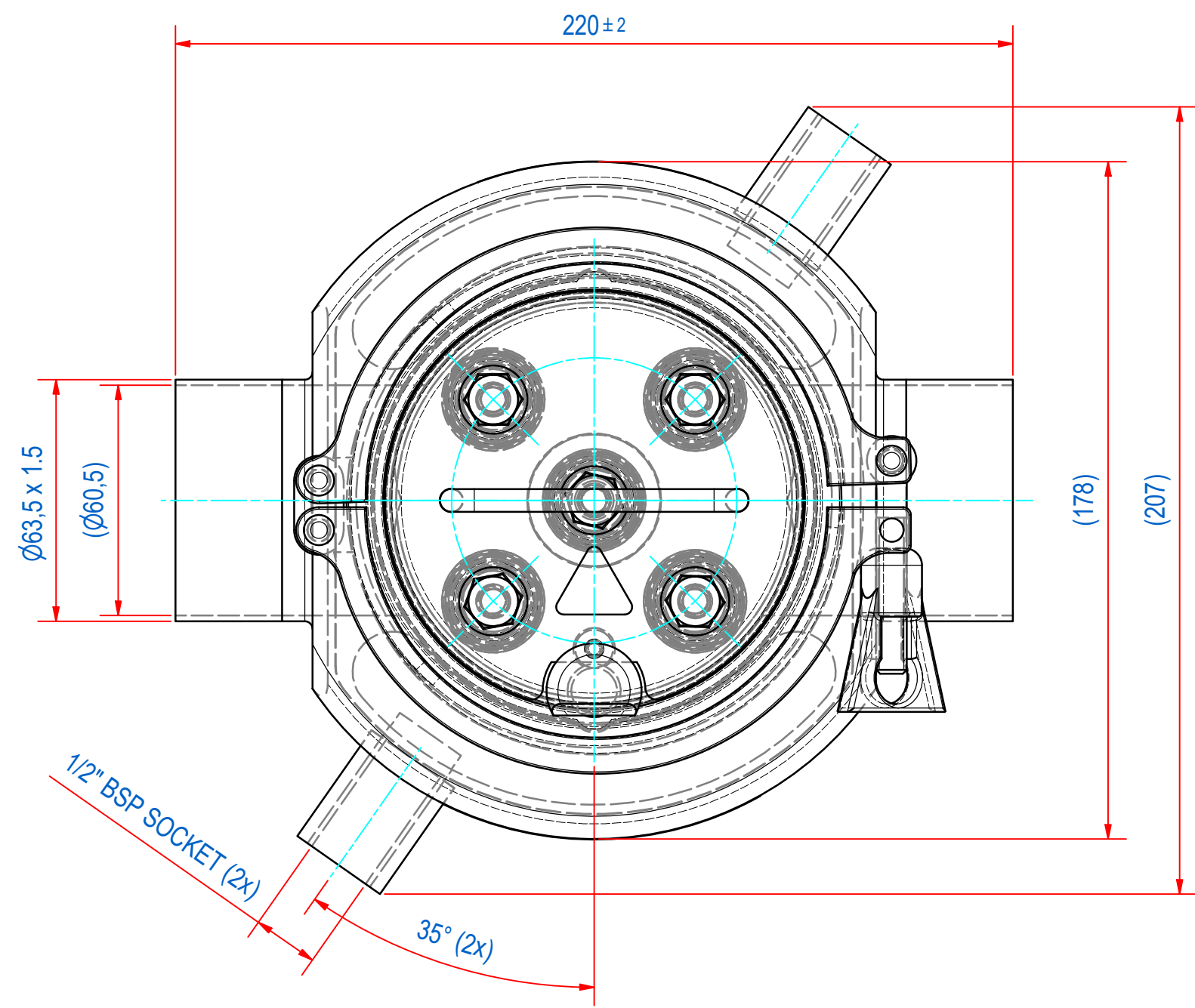


REV	DATE	BY	DESCRIPTION
-	27-9-2021	AvD	REFERENCE DRAWING E0016970



ITEM	QTY	PART NUMBER	DESCRIPTION	Dimensions
7	1	1000.20080	STICKER MAGNETIC FIELD 20mm	
6	1	E0146640	TYPE PLATE FILTER SFHD	
5	1	E0146639	STICKER SFHD GSM D178	
4	1	E0017388	SFH-S-000-S O-RING RED EC1935	
3	1	77.9630092	GPFI-TRI CLAMP Ø130	
2	1	E0020375	SFH-SPARE-2.5\"/>	
1	1	E0146662	SFHD-2.5\"/>	

RAW MAT.	Quantity	Material Number	Material Description	Length (mm)	Width (mm)
1	1				

Sheet: <b>A2</b>	Extra info: <b>MAGNETIC FILTER</b>	General tolerance: <b>ISO 2768 - mK</b>
Drawn: <b>AvD</b>	Weight (kg): <b>11</b>	Drawn according: <b>ISO268; ISO1101; ISO2553</b>
Date: <b>27-9-2021</b>		Status: <b>Released</b>
Spare part: <b>False</b>		Customer reference number:
Quick search: <b>SFHD-2.5\"/&gt;</b>		Document number: <b>E0146668</b>
Description: <b>SFHD-2.5\"/&gt;</b>		Part number: <b>E0146668</b>



© All rights reserved. Reproduction is not permitted without written permission of GOUDSMIT Magnetic Systems BV