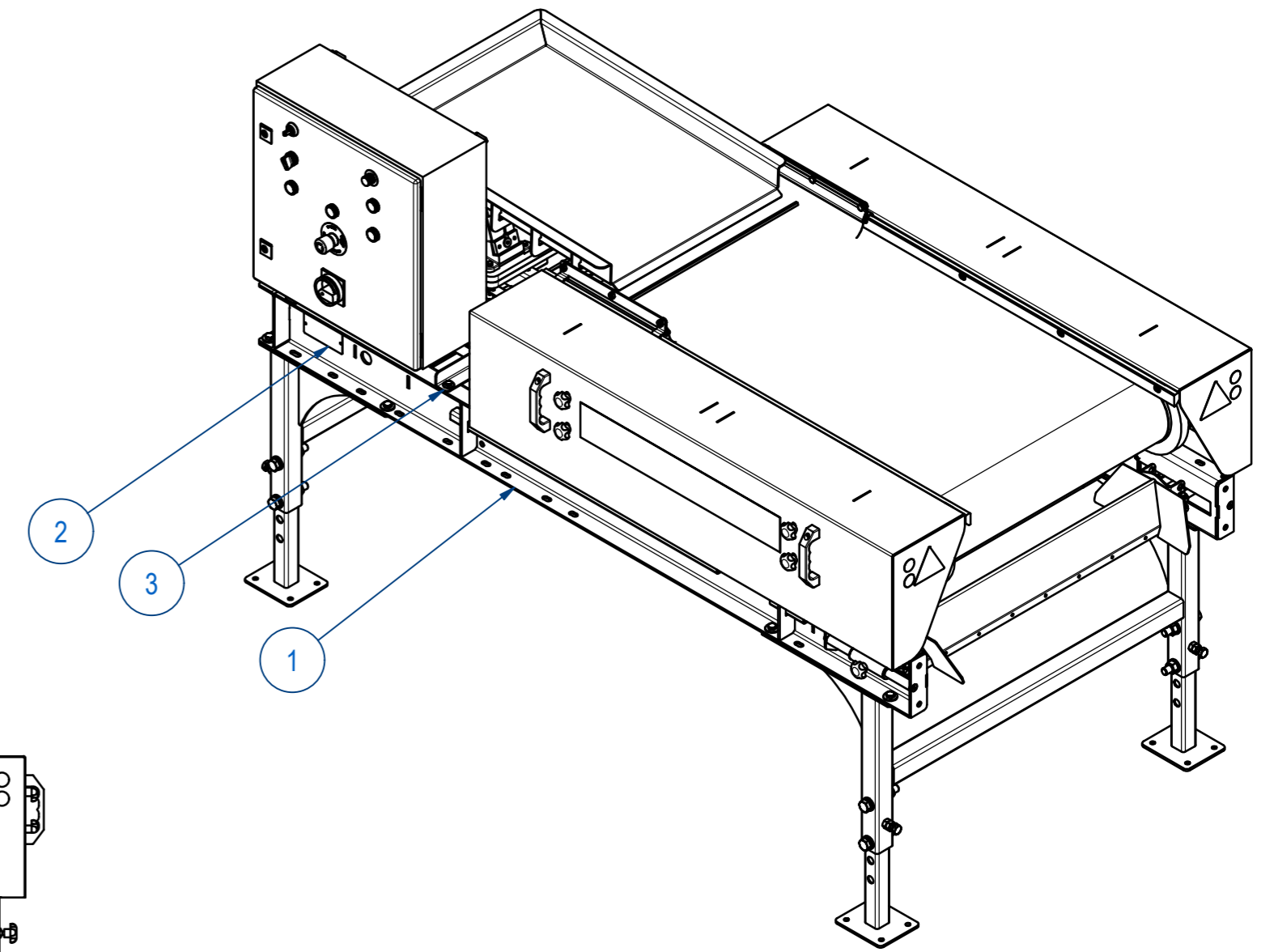
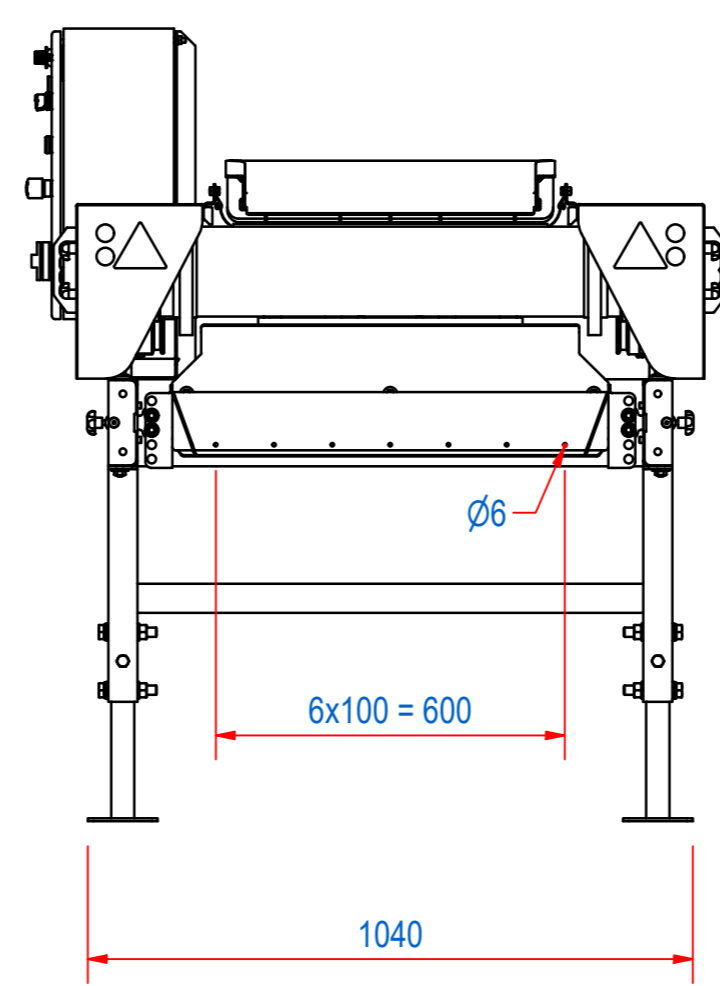
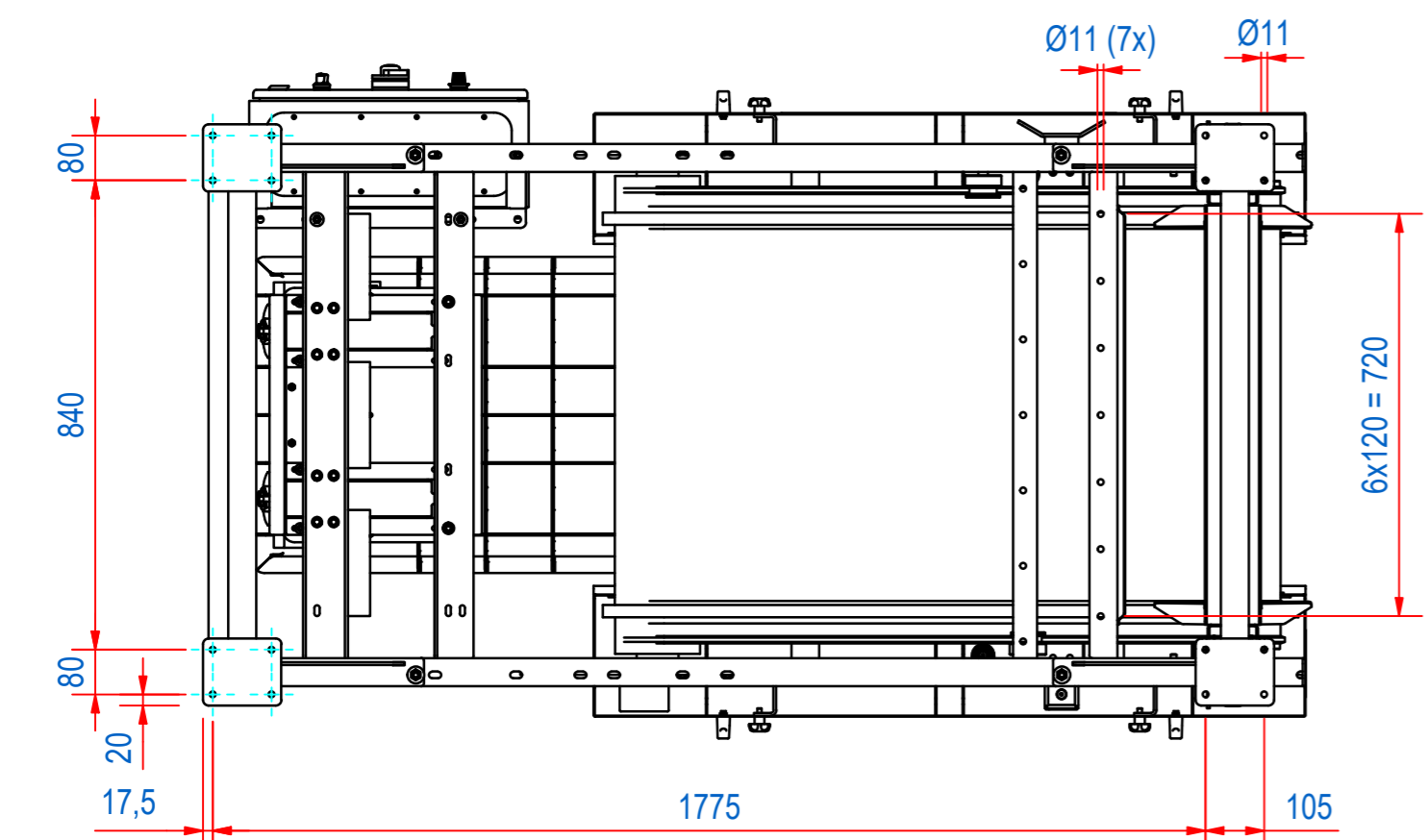
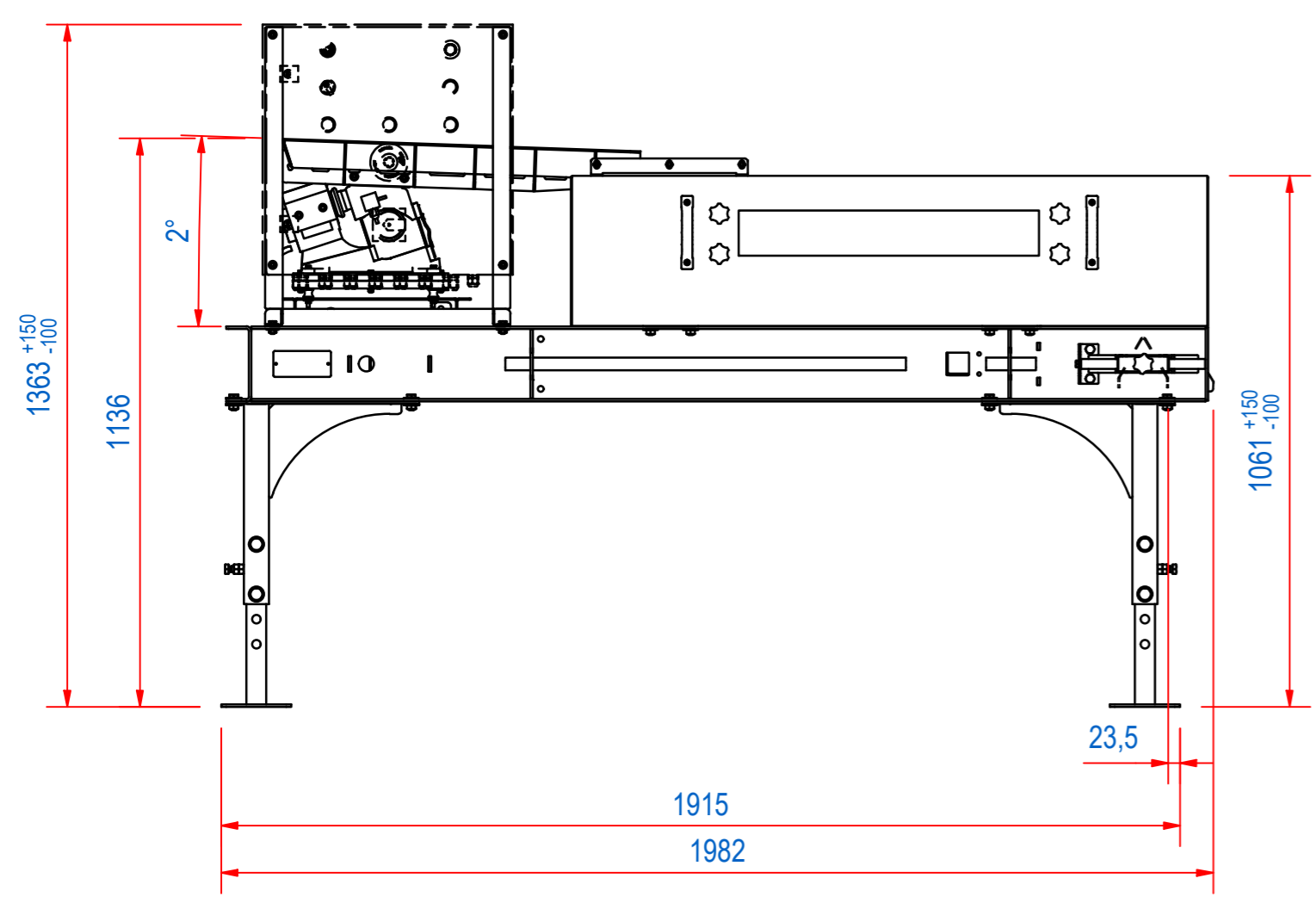
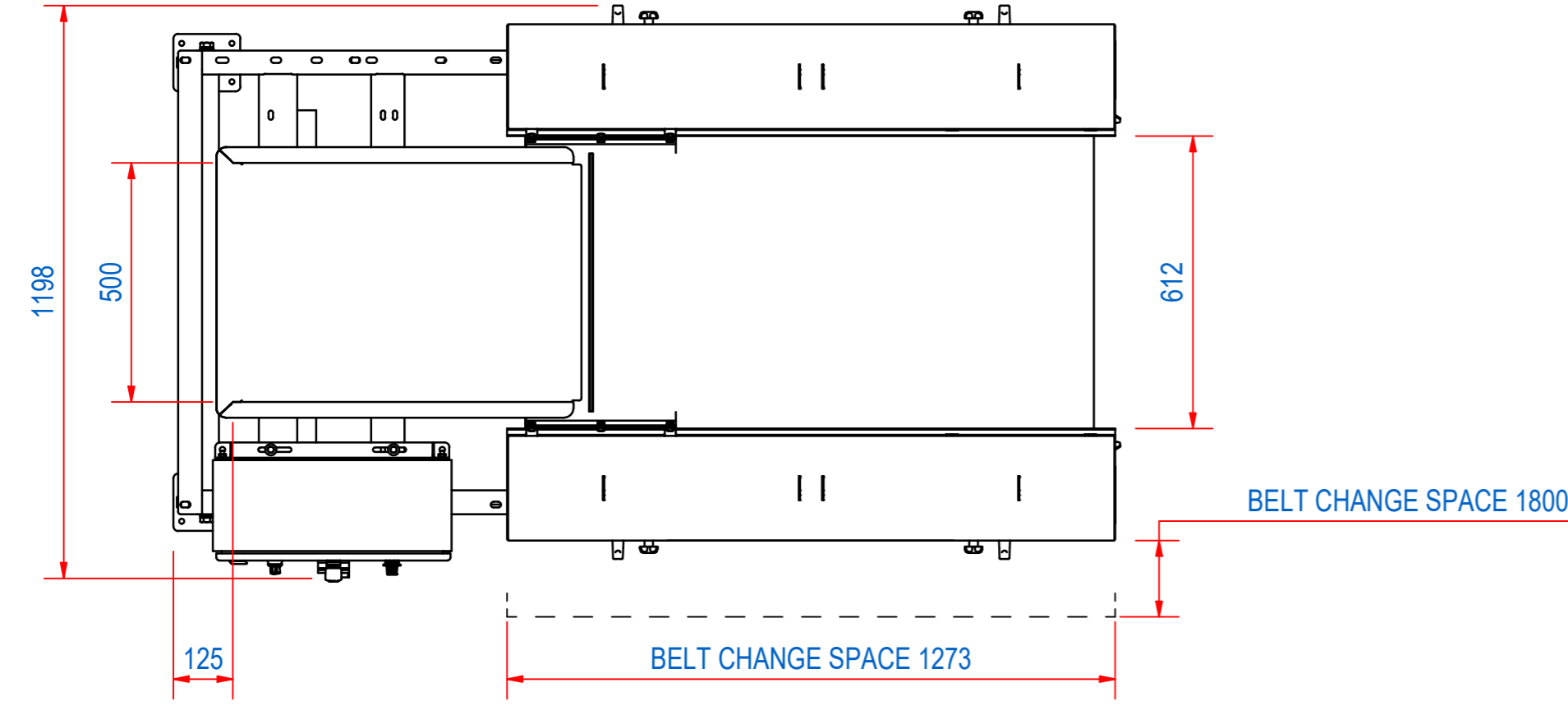


DOC.NR.	REV	DATE	BY	DESCRIPTION
E0152603	-	12-5-2022	TT	ORIGINAL DRAWING



ITEM	QTY	PART NUMBER	DESCRIPTION	Dimensions	
3	1	E0149955	RHPS-CF-C-E5050		
2	1	E0122115	NEW DATA PLATE SMALL		
1	1	E0138746	RHPS-HC-06-H153-R-MS-SM-1PU16		
RAW MAT.	Quantity	Material Number	Material Description	Length (mm)	Width (mm)
	1				
Sheet: A2		Extra info: WEBSITE MODEL		General tolerance: ISO 2768 - mK	
Drawn: TT		Weight (kg): 510		Drawn according: ISO268; ISO1101; ISO2553	
Date: 12-5-2022		Source: MO-C		Status: Released	
Spare part: False		Quick search: RHPS-06		Customer reference number:	
Description: RHPS-06-H153-RR-MS-SM-1PU16-N		© All rights reserved. Reproduction is not permitted without written permission of GOUDSMIT Magnetic Systems BV		Document number: E0152602 Doc.Rev: -	
				Part number: E0152603 Rev: -	