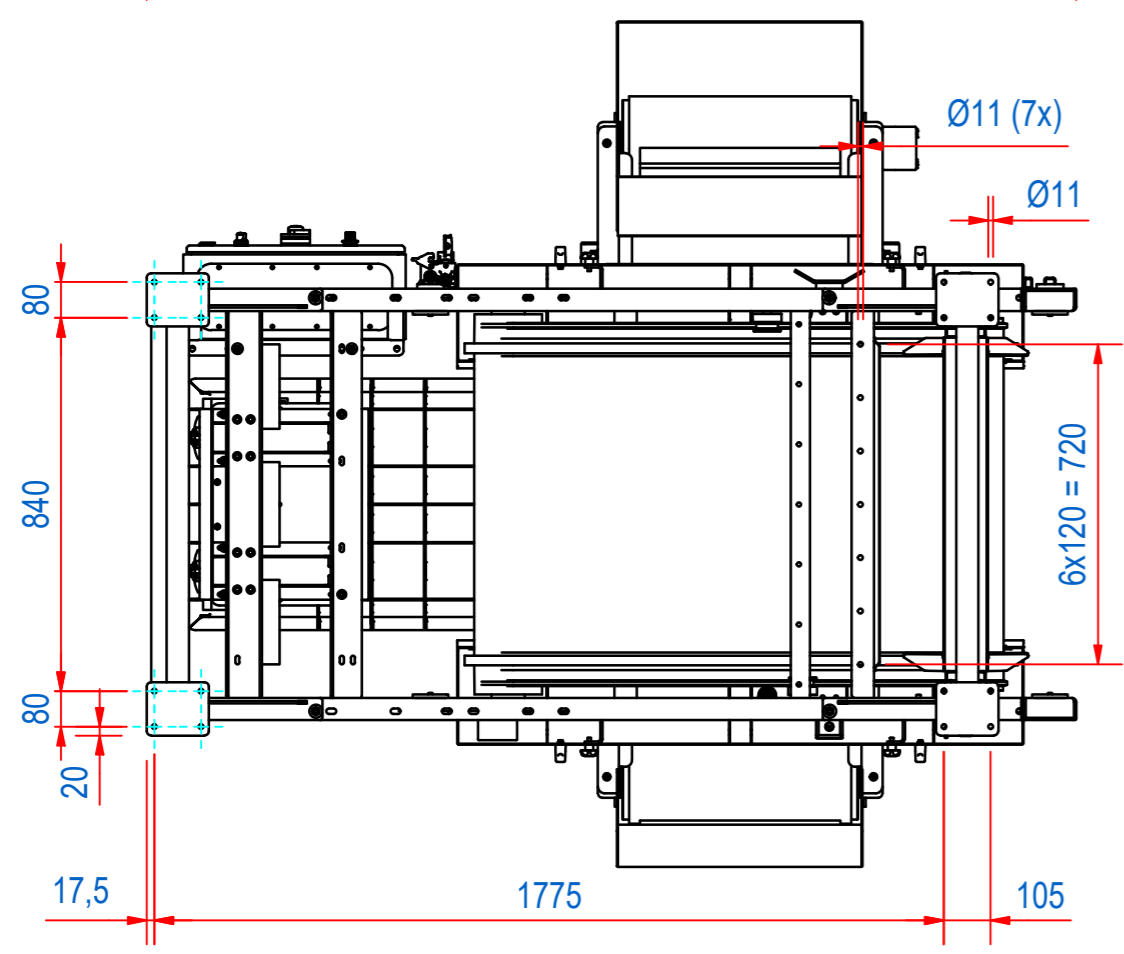
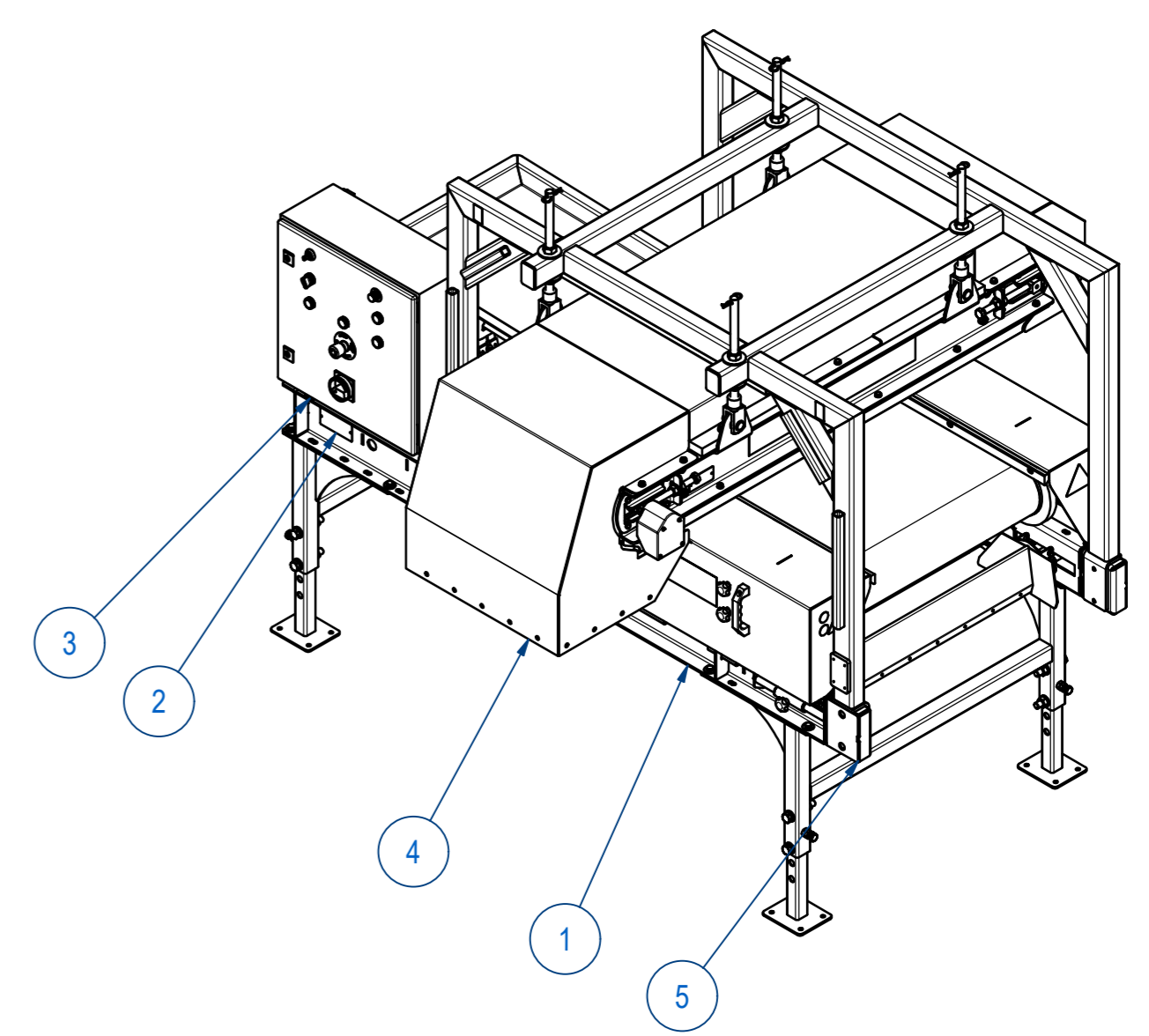
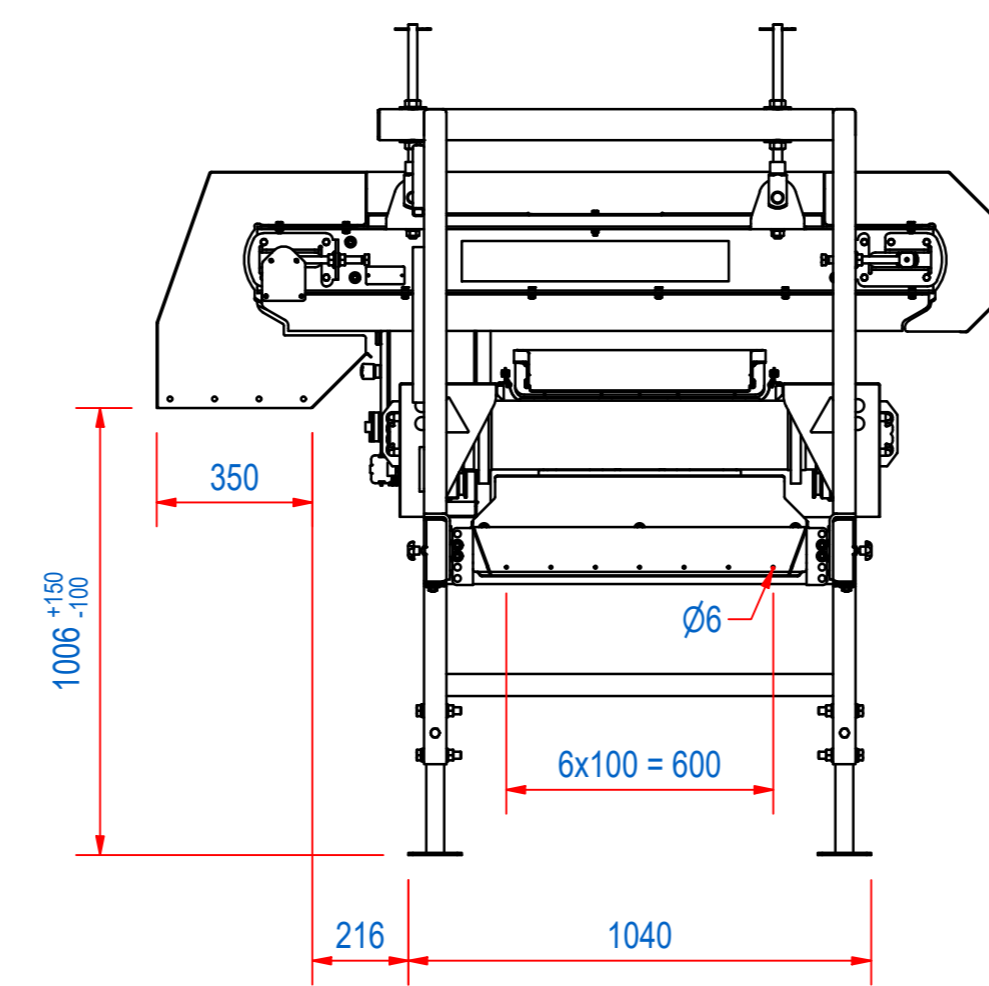
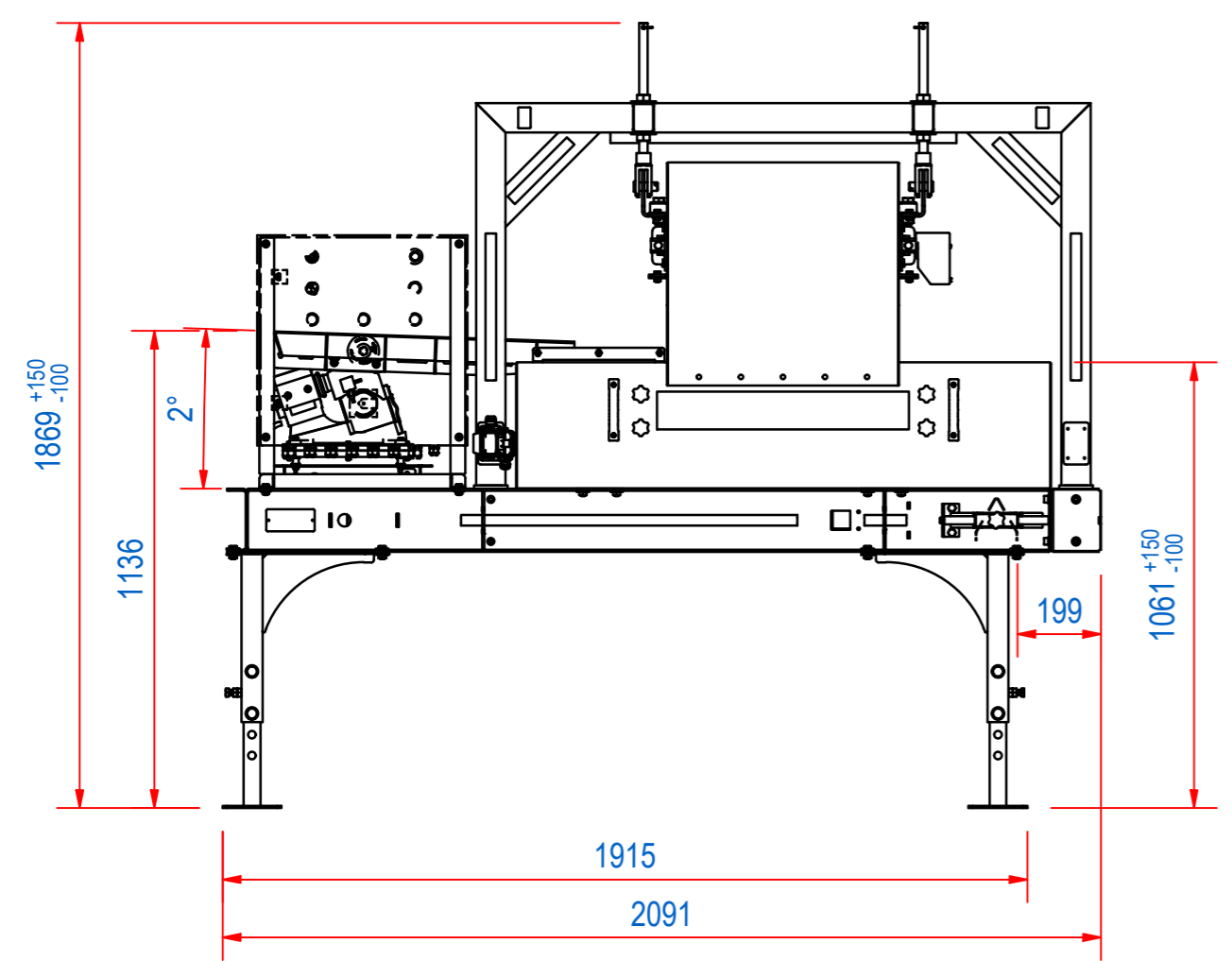
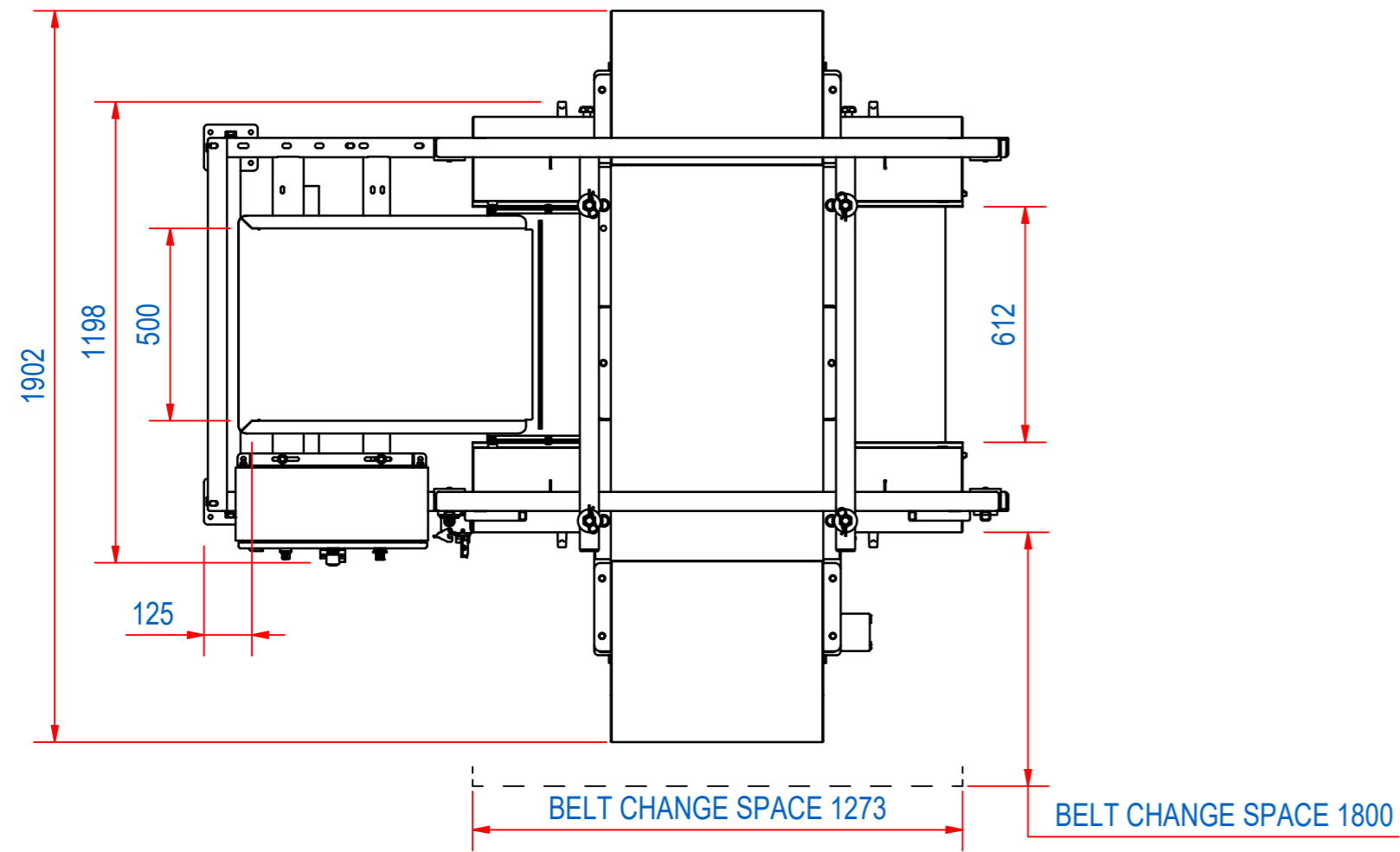


DOC.NR.	REV	DATE	BY	DESCRIPTION
E0152604	-	12-5-2022	TT	ORIGINAL DRAWING



ITEM	QTY	PART NUMBER	DESCRIPTION	Dimensions
5	2	E0149988	OVERBAND BRACE ASSY	
4	1	E0138754	RHPS-OB-06-ROPF	
3	1	E0149955	RHPS-CF-C-E5050	
2	1	E0122115	NEW DATA PLATE SMALL	
1	1	E0138746	RHPS-HC-06-H153-R-MS-SM-1PU16	

RAW MAT.	Quantity	Material Number	Material Description	Length (mm)	Width (mm)
1	1				

Sheet: A2 Drawn: TT Date: 12-5-2022 Spare part: False Quick search: RHPS-06	Extra info: WEBSITE MODEL Weight (kg): 1400 Source: MO-C Description: RHPS-06-H153-RR-MS-SM-1PU16-B	General tolerance: ISO 2768- mK Drawn according: ISO268; ISO1101; ISO2553 Status: Released Customer reference number: Document number: E0152604 Part number: E0152604
--	---	---