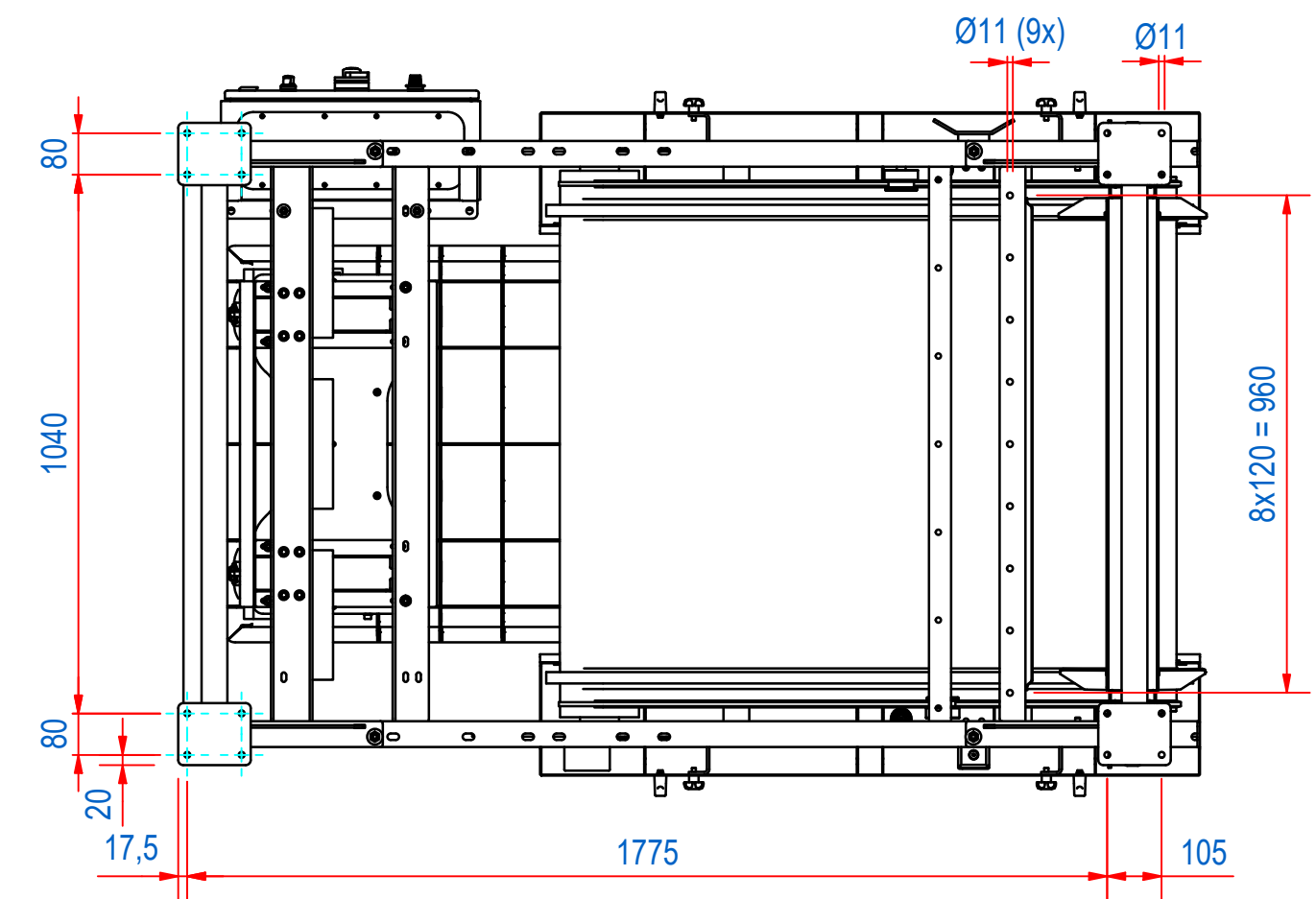
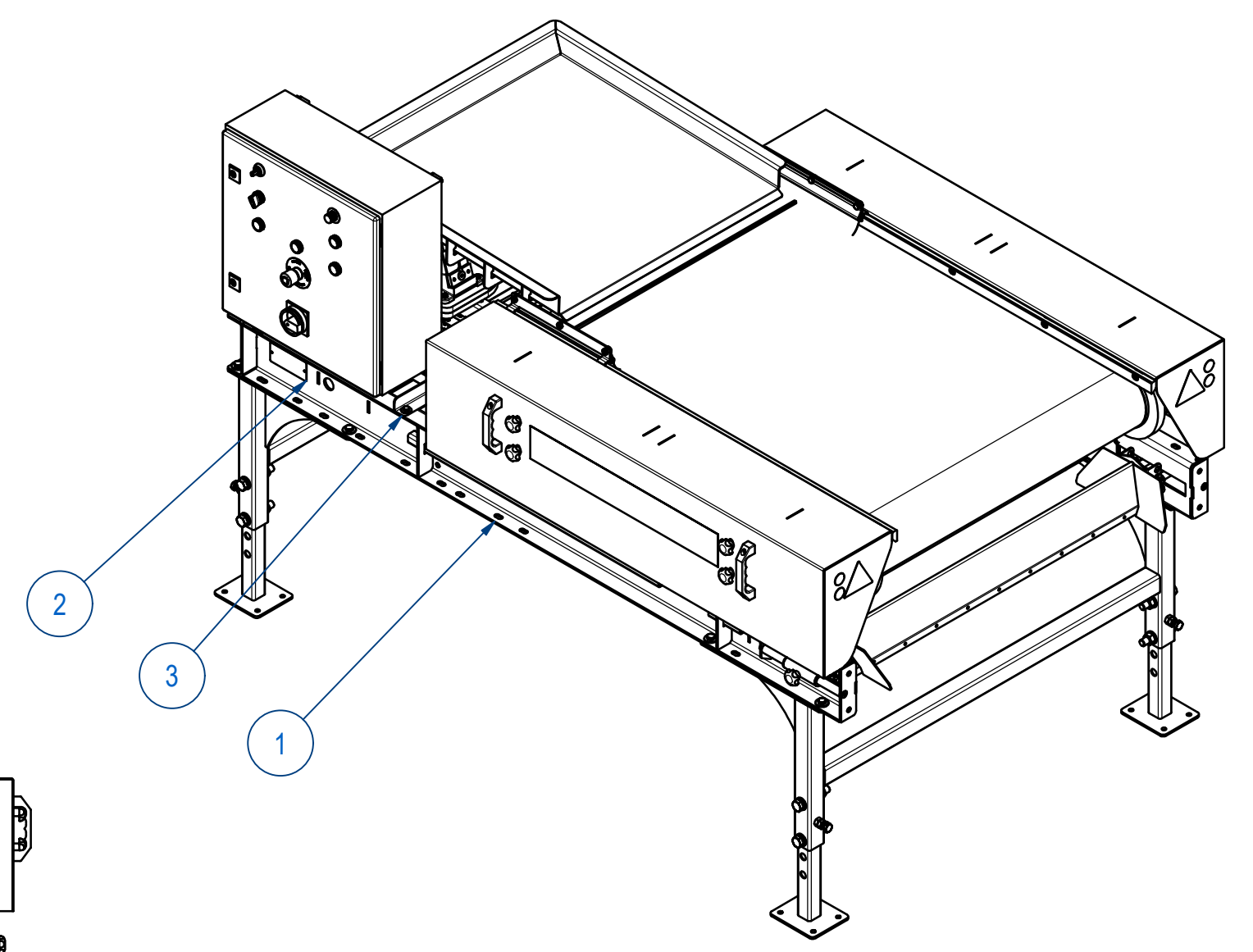
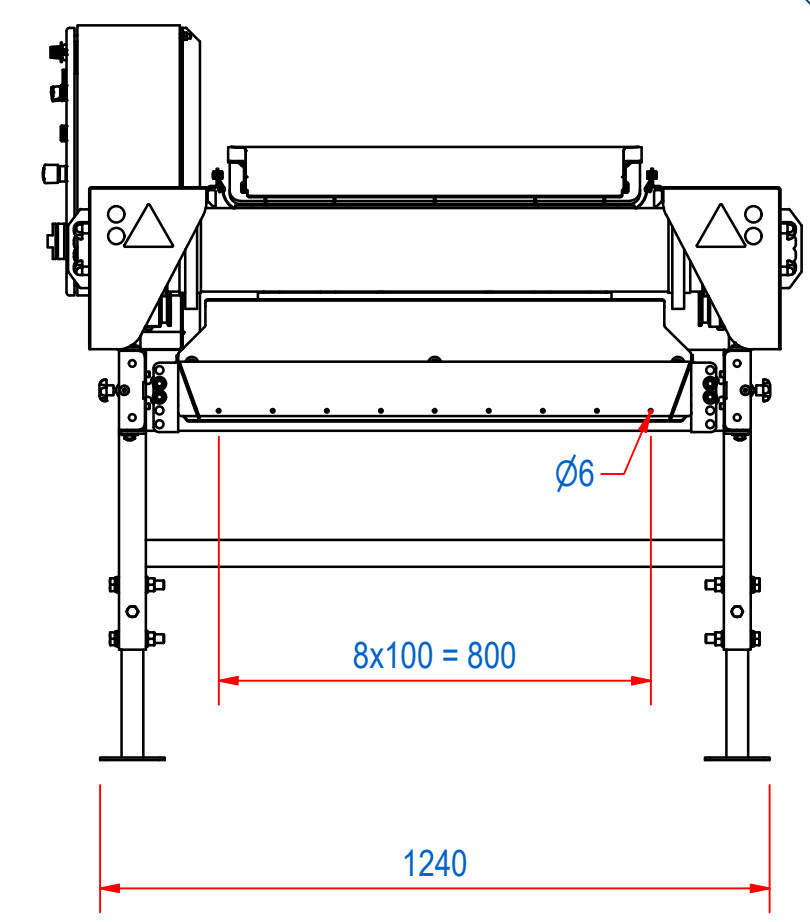
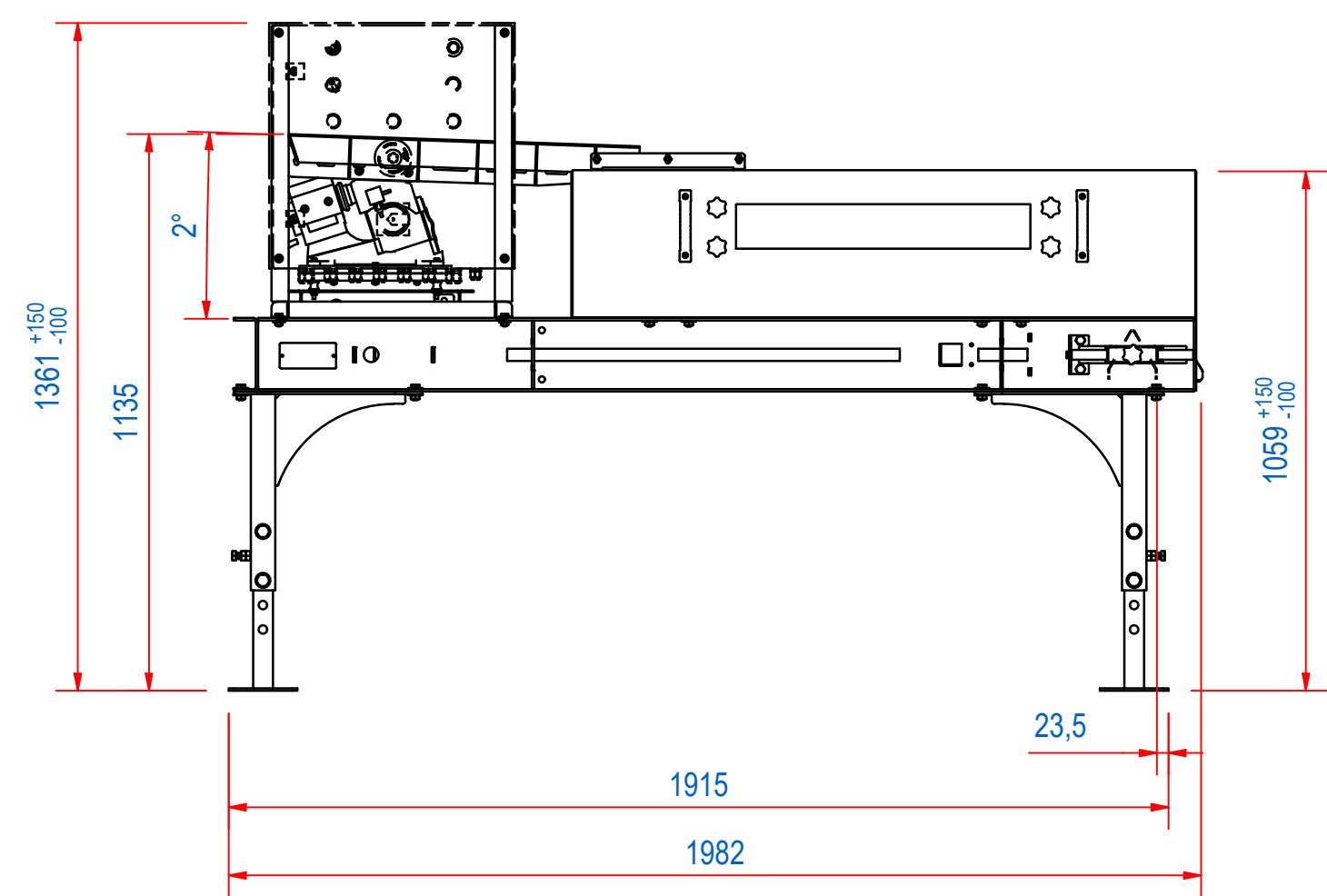
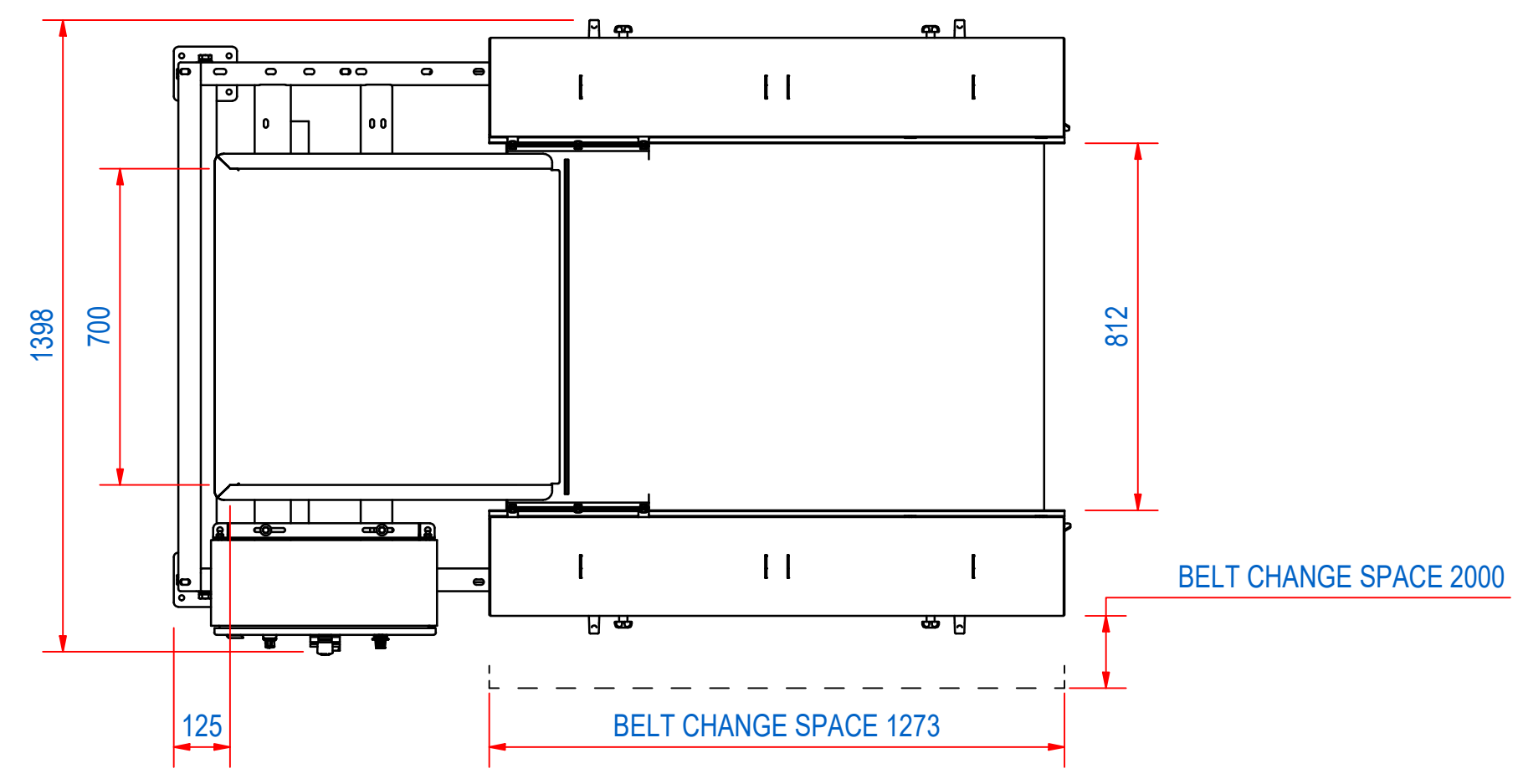


DOC.NR.	REV	DATE	BY	DESCRIPTION
E0152607	-	12-5-2022	TT	ORIGINAL DRAWING



ITEM	QTY	PART NUMBER	DESCRIPTION	Dimensions
3	1	E0149955	RHPS-CF-C-E5050	
2	1	E0122115	NEW DATA PLATE SMALL	
1	1	E0138748	RHPS-HC-08-H153-R-MS-SM-1PU16	

RAW MAT.	Quantity	Material Number	Material Description	Length (mm)	Width (mm)
1	1				

Sheet: A2 Drawn: TT Date: 12-5-2022 Spare part: False Quick search: RHPS-08	Extra info: WEBSITE MODEL MO-C © All rights reserved. Reproduction is not permitted without written permission of GOUDSMIT Magnetic Systems BV.	General tolerance: ISO 2768 - mK Drawn according: ISO268; ISO1101; ISO2553 Status: Released Customer reference number: Document number: E0152606 Part number: E0152607
--	--	--

Description: **RHPS-08-H153-RR-MS-SM-1PU16-N**