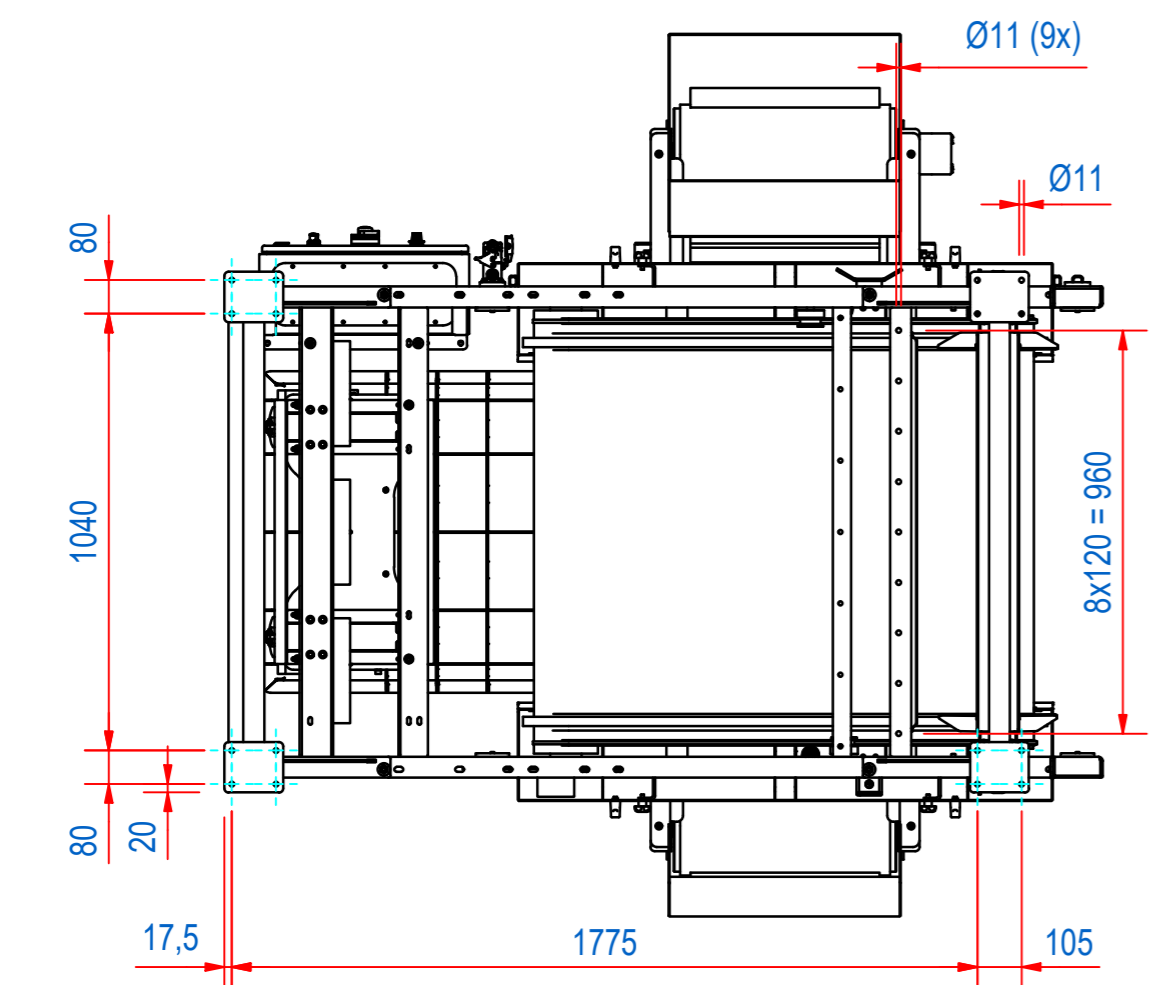
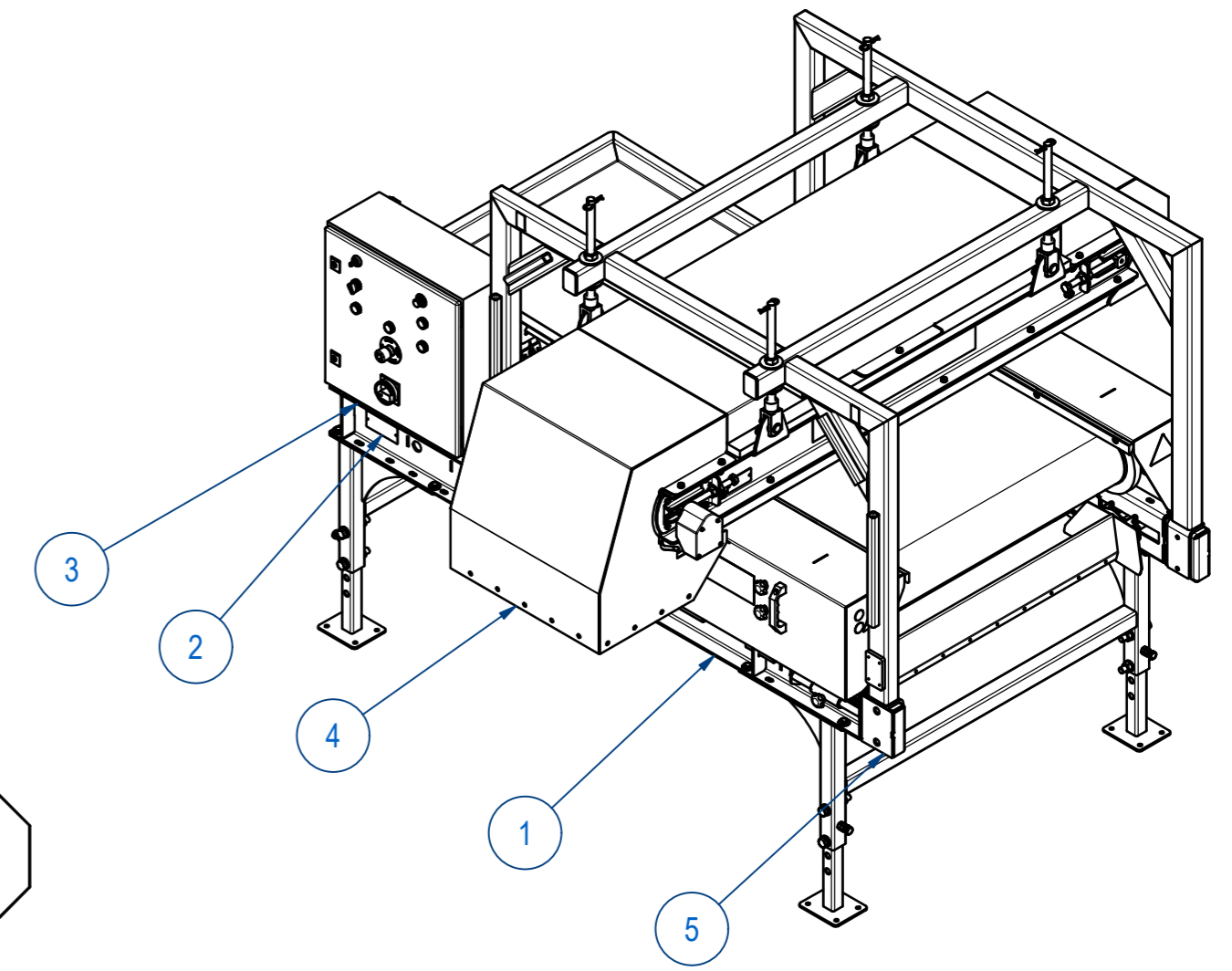
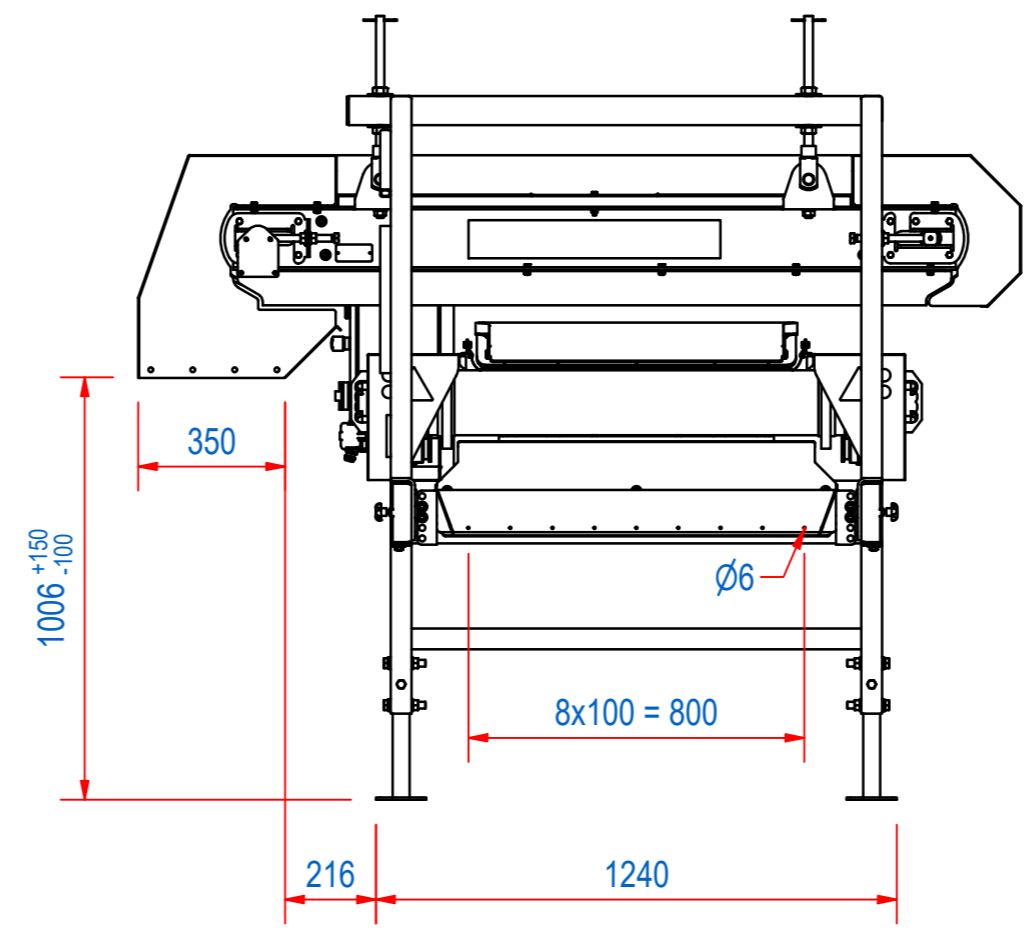
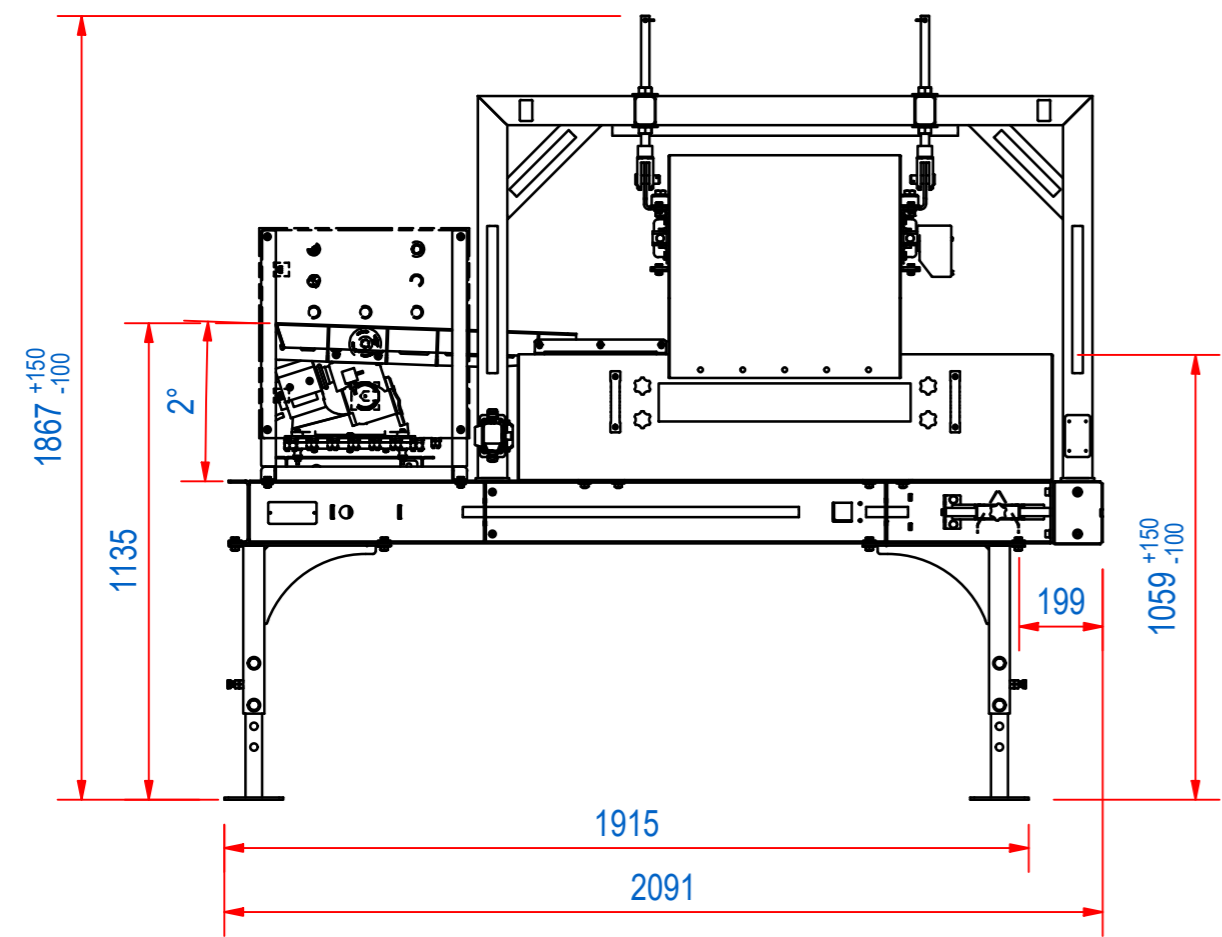
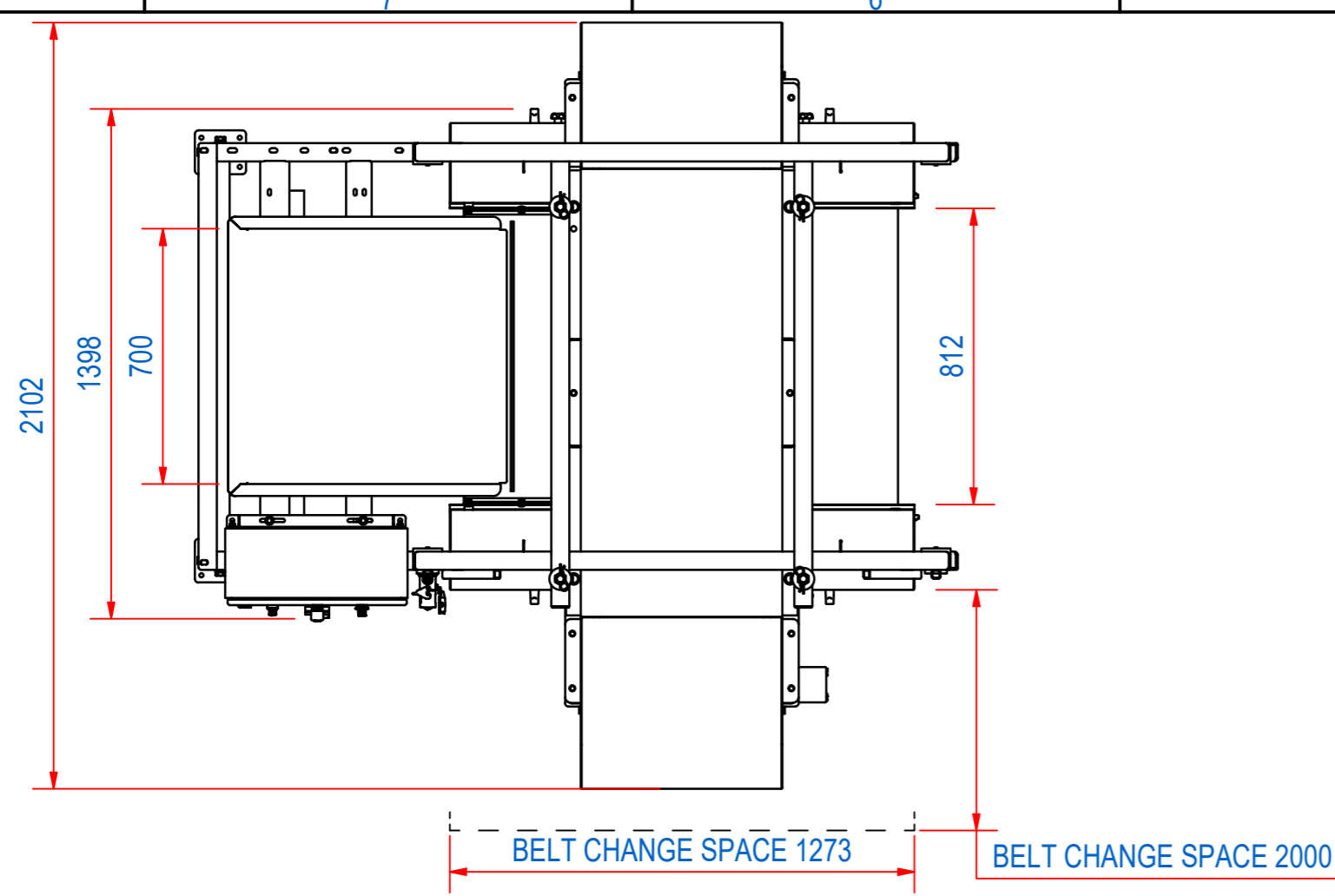


DOC.NR.	REV	DATE	BY	DESCRIPTION
E0152613	-	12-5-2022	TT	ORIGINAL DRAWING



5	2	E0149988	OVERBAND BRACE ASSY		
4	1	E0138930	RHPS-OB-08-ROPF		
3	1	E0149955	RHPS-CF-C-E5050		
2	1	E0122115	NEW DATA PLATE SMALL		
1	1	E0138748	RHPS-HC-08-H153-R-MS-SM-1PU16		
ITEM	QTY	PART NUMBER	DESCRIPTION	Dimensions	
RAW MAT.	1			Length (mm)	Width (mm)
Quantity		Material Number	Material Description		
Sheet: A2		Extra info: WEBSITE MODEL		General tolerance: ISO 2768- mK	
Drawn: TT		Weight (kg): 1590		Drawn according: ISO268; ISO1101; ISO2553	
Date: 12-5-2022				Status: Released	
Spare part: False		Source: MO-C		Customer reference number:	
Quick search: RHPS-08		© All rights reserved. Reproduction is not permitted without written permission of GOUDSMIT Magnetic Systems BV		Document number: E0152612 Doc.Rev:	
Description: RHPS-08-H153-RR-MS-SM-1PU16-B		Part number: E0152613		Rev: -	