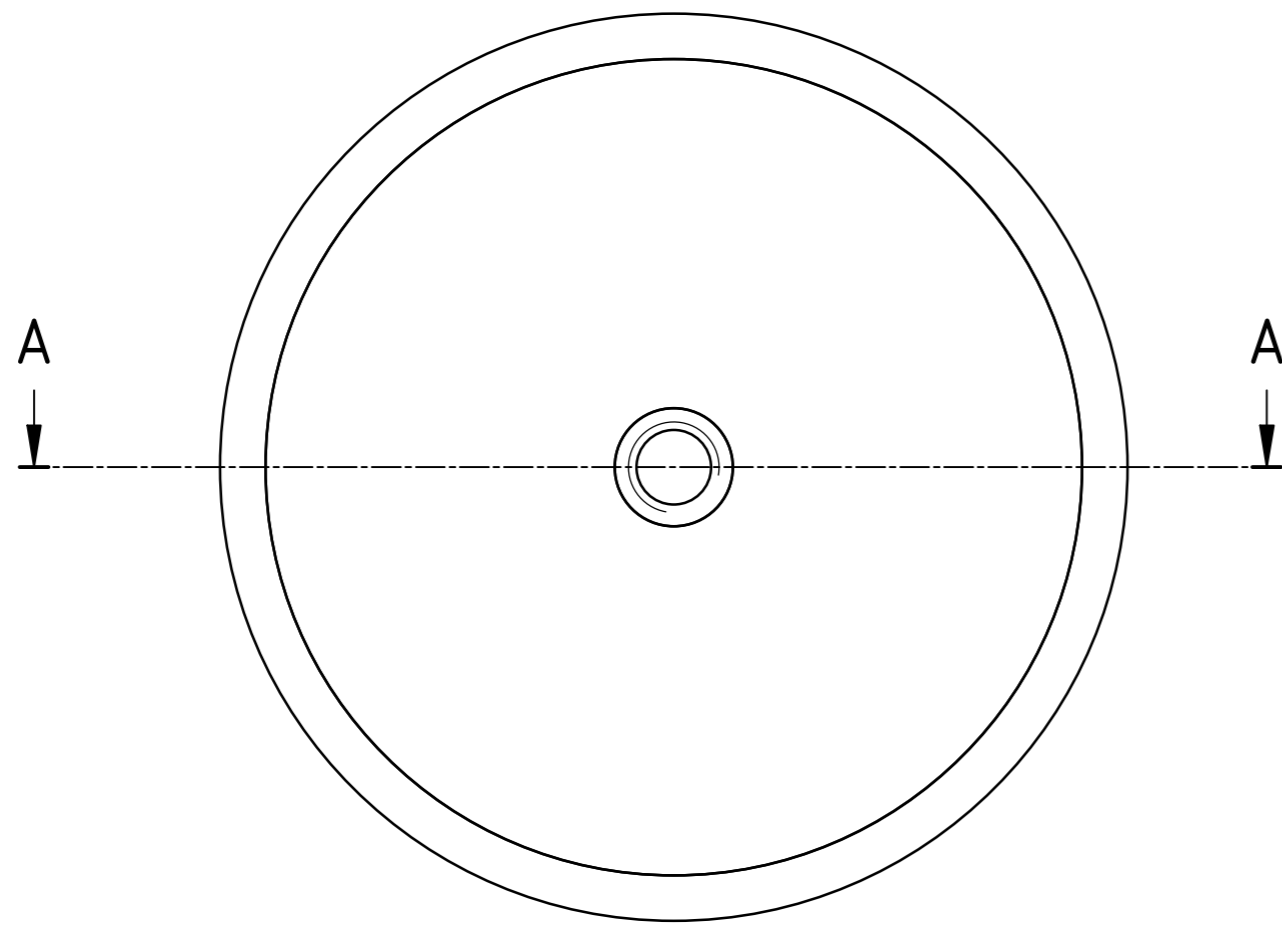
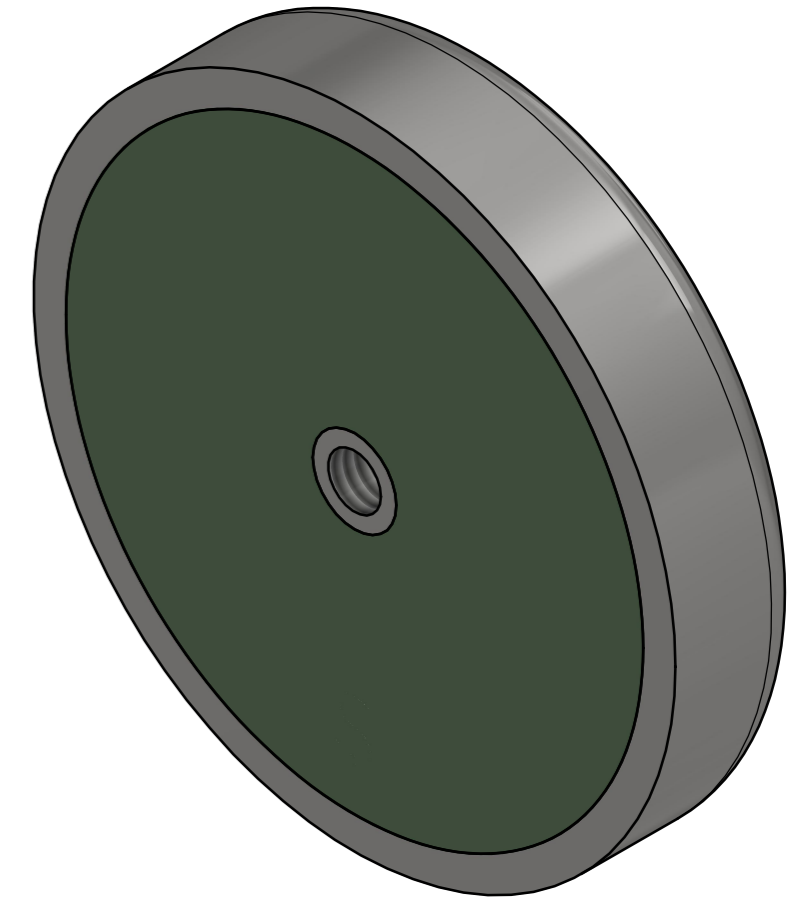
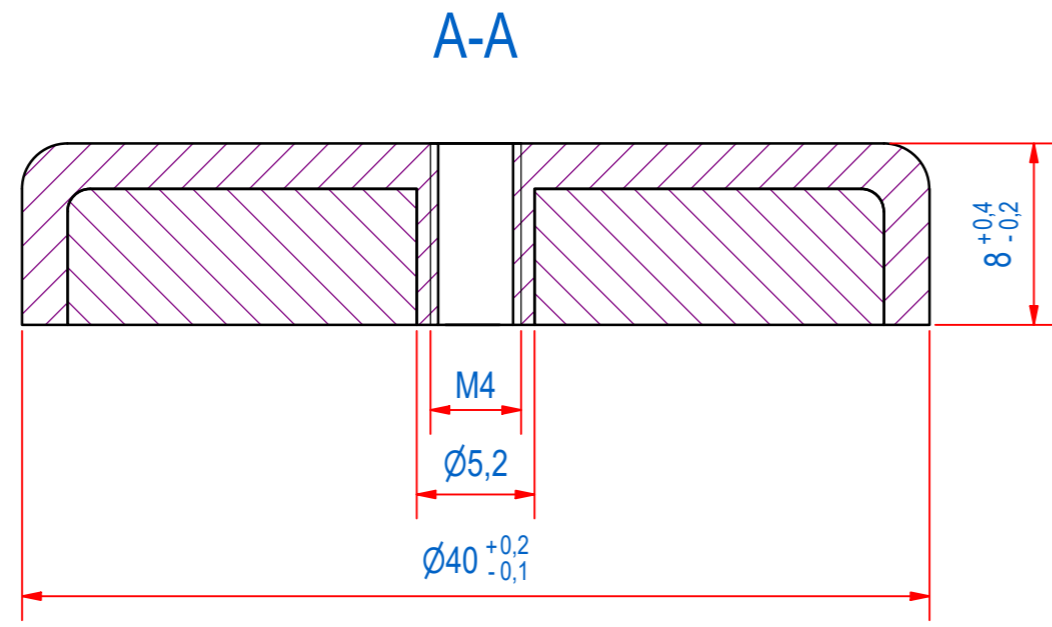


DOC.NR.	REV	DATE	BY	DESCRIPTION
E0153363	-	21-6-2022	LH	ORIGINAL DRAWING



RAW MAT.	Quantity	Material Number	Material Description	Length (mm)	Width (mm)
1					
Sheet: A2		Extra info: POTMAGNET SrFe		General tolerance: ISO 2768- mK	
Drawn: LH		Weight (kg): 0,094		Drawn according: ISO268; ISO1101; ISO2553	
Date: 21-6-2022				Status: Standard	
Spare part: False				Customer reference number: F40D-VM4	
Quick search: POTGM		© All rights reserved. Reproduction is not permitted without written permission of GOUDSMIT Magnetic Systems BV		Document number: E0153363 Doc.Rev: -	
Description: PM-TI-F-SG-D40x8xM4				Part number: E0153363 Rev: -	