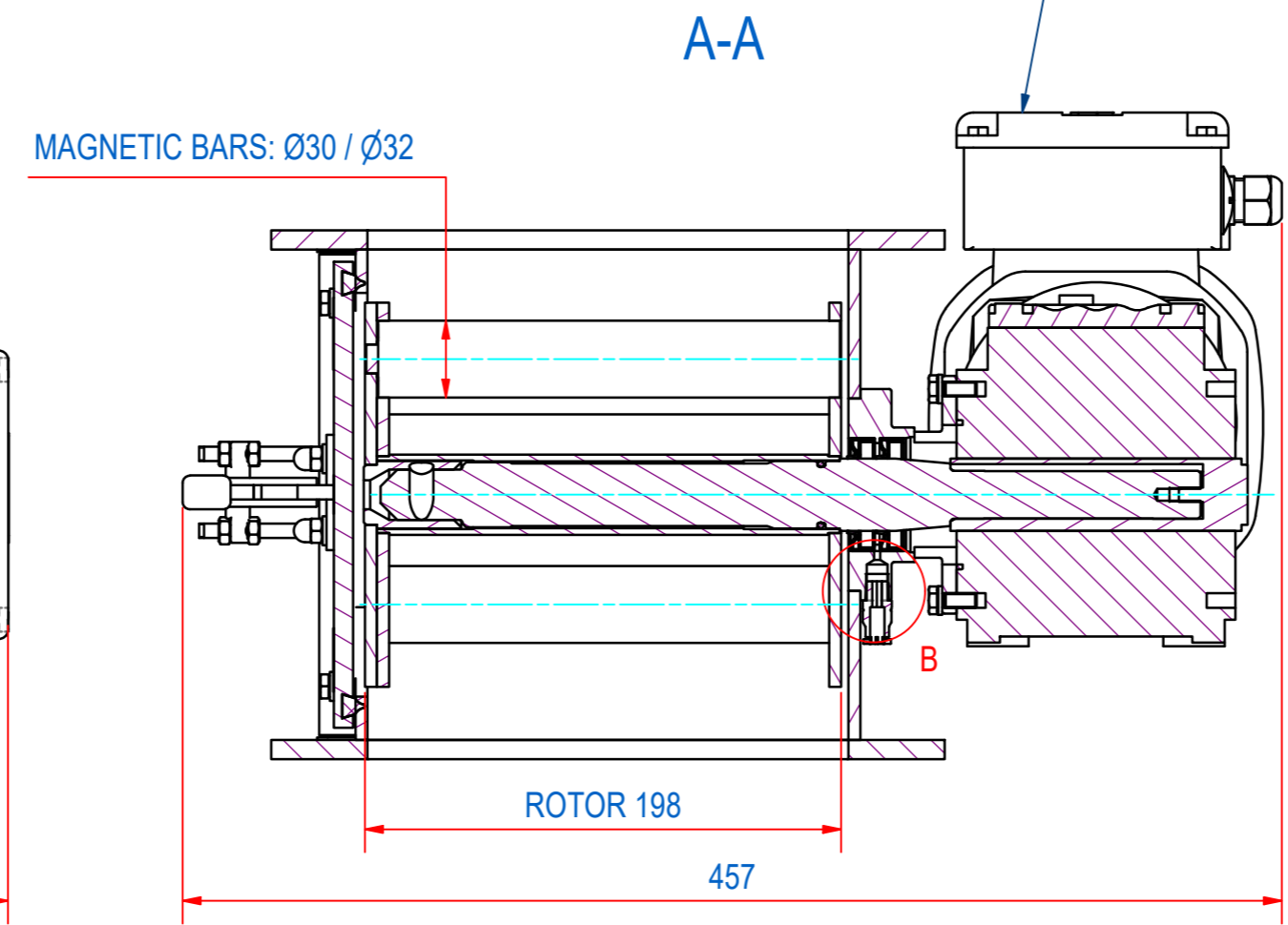
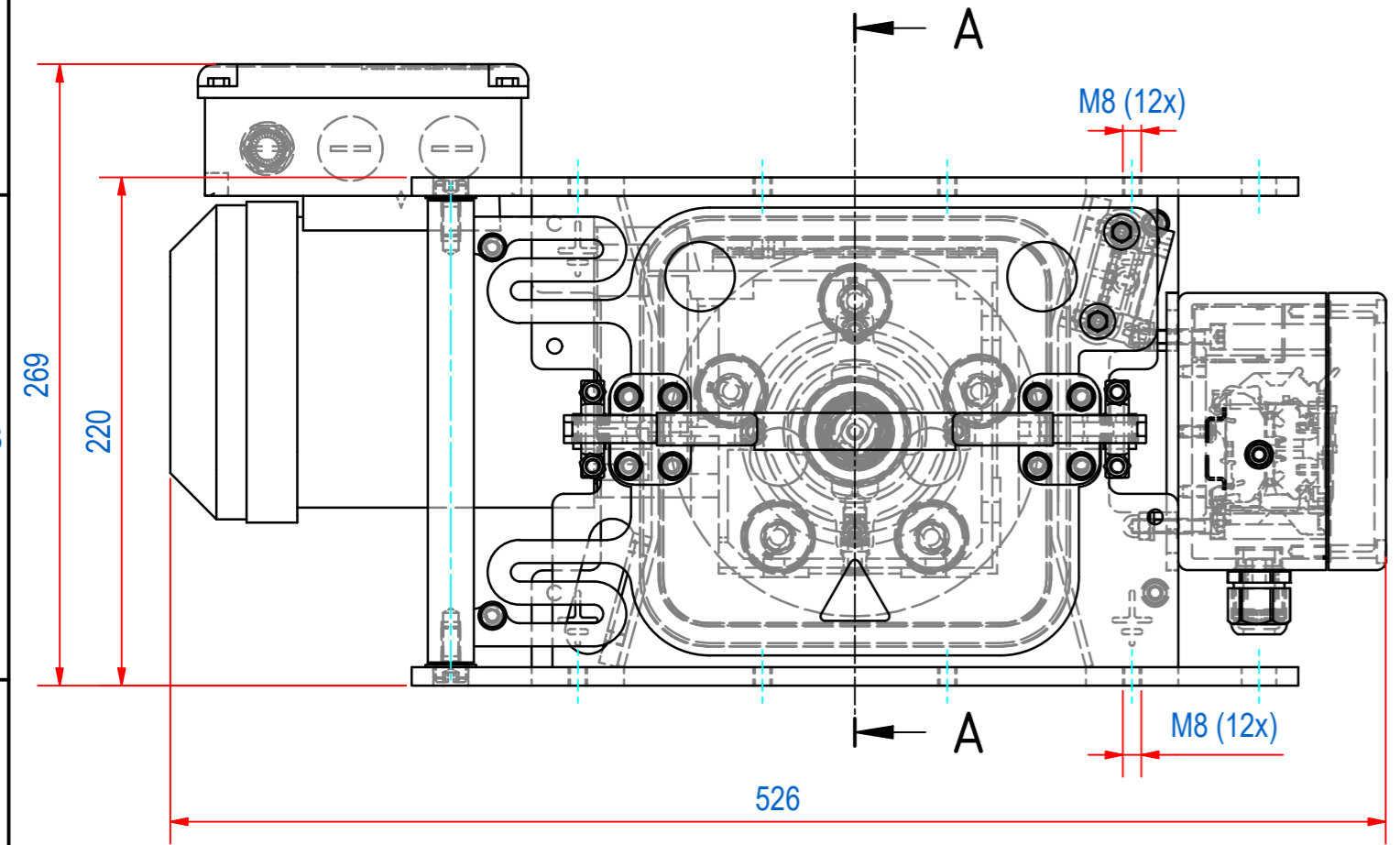
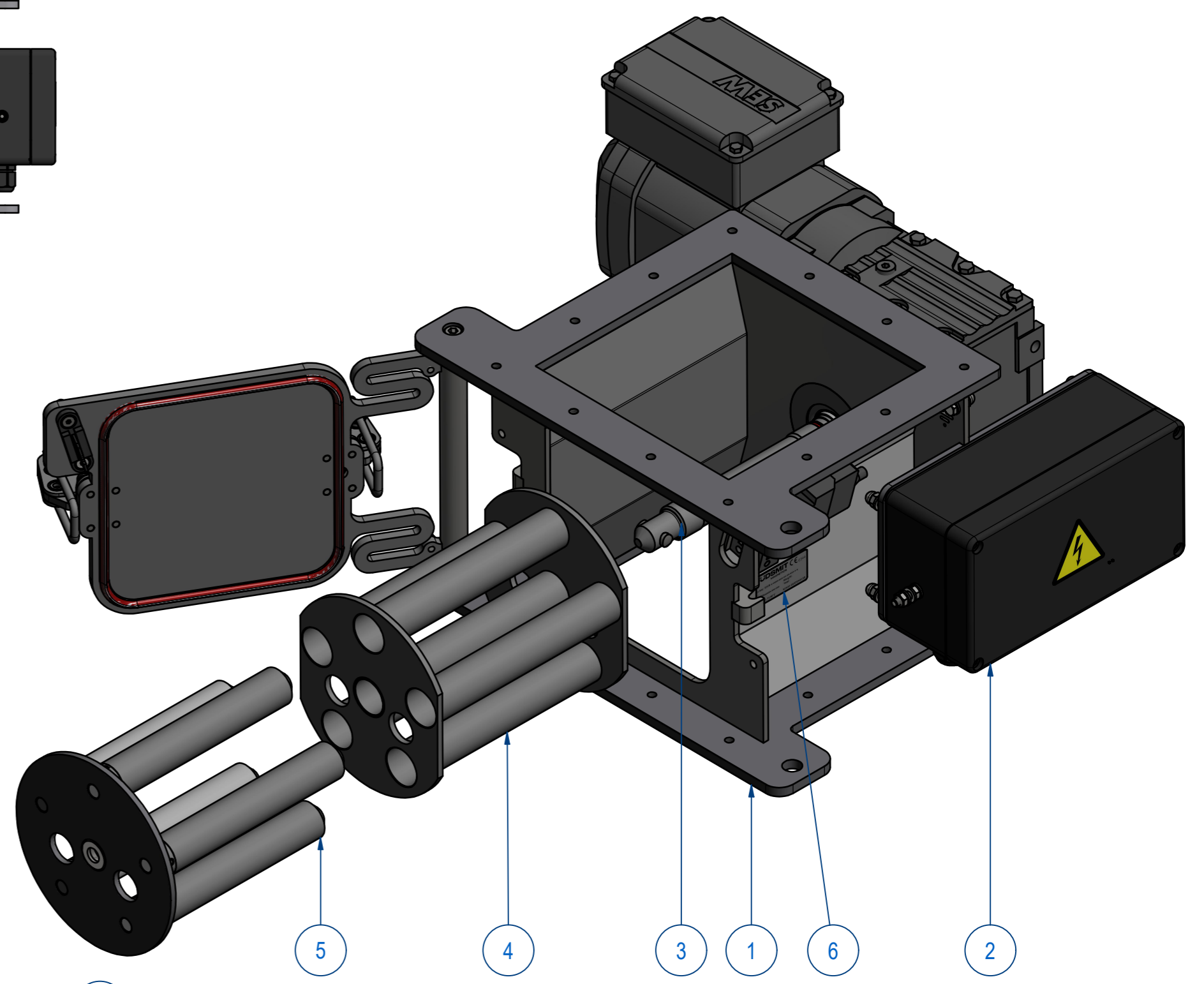
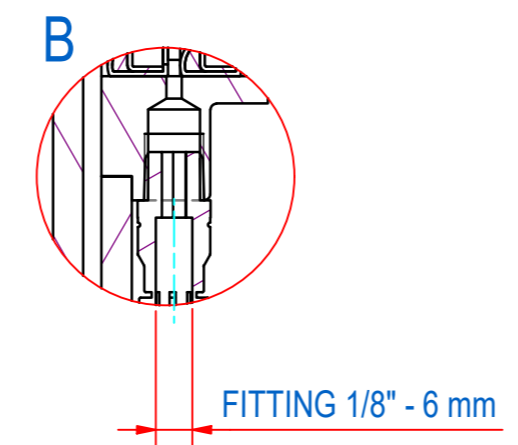
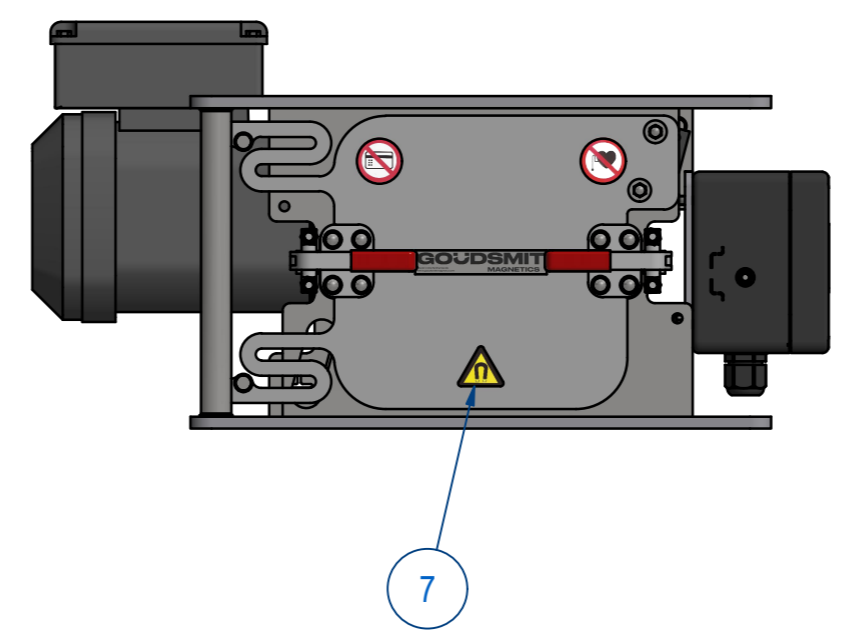
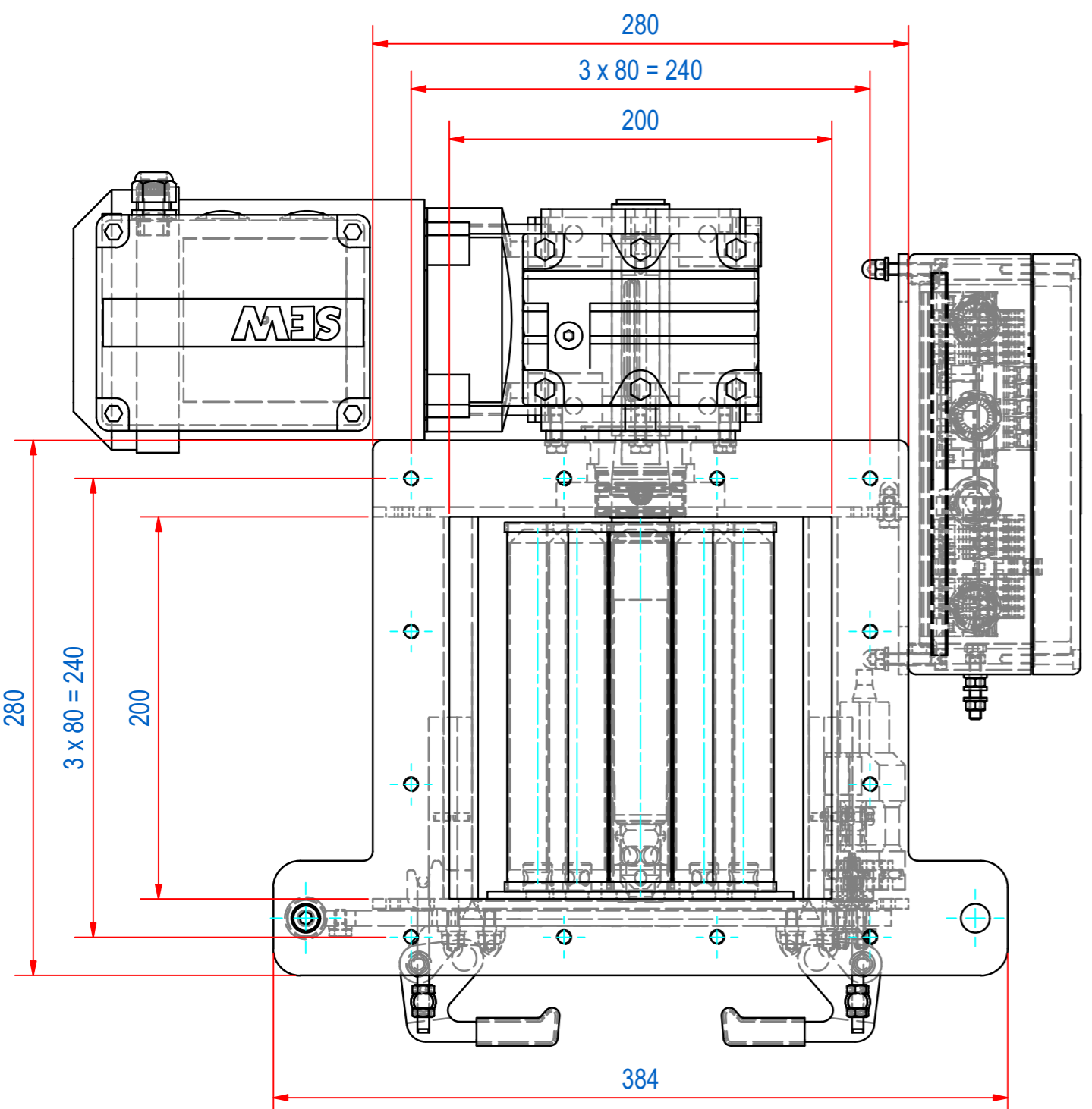


REV	DATE	BY	DESCRIPTION
-	2-2-2023	AvD	REFERENCE DRAWING SCRA2020012



THIS DRAWING CORRESPONDS WITH
ATEX SCHEDULE DRAWING **M53674**

ITEM	QTY	PART NUMBER	DESCRIPTION	Dimensions
8	1	MO03704202	WA30/II2GD EDNR71M4/2GD/KCC/AL 42RPM	
7	1	E0090295	STICKERS FOR SCRA/SCRB 2020	
6	1	E0090155	TYPE PLATE SECR II 1/2D c T140°C	
5	1	E0153205	SECR-S-2020-05C-HT MAGN PLATE	
4	1	E0152618	SECR-S-2020-05C-B EXTRACTOR	
3	1	A240072	SECR-S-2020-05C-B SHAFT	
2	1	A240059	TERMINAL BOX MOUNT ASSY	
1	1	A240371	HOUSING + DOOR CR2020	

RAW MAT.	Quantity	Material Number	Material Description	Length (mm)	Width (mm)
⊕	1				

Sheet: A2	Extra info: Cleanflow magnet rotating Manual cleaning	General tolerance: ISO 2768 - mK
Drawn: AvD	Weight (kg): 37	Drawn according: ISO268; ISO1101; ISO2553
Date: 2-2-2023	Source: CR2020	Status: Released
Spare part: False		Customer reference number:
Quick search:		Document number: E0157618
Description: SECR-B-2020-05C-HT-Ex-F1m-B-B-M1-SR-B		Doc.Rev: -
		Part number: E0157618
		Rev: -



© All rights reserved. Reproduction is not permitted without written permission of GOUDSMIT Magnetic Systems BV