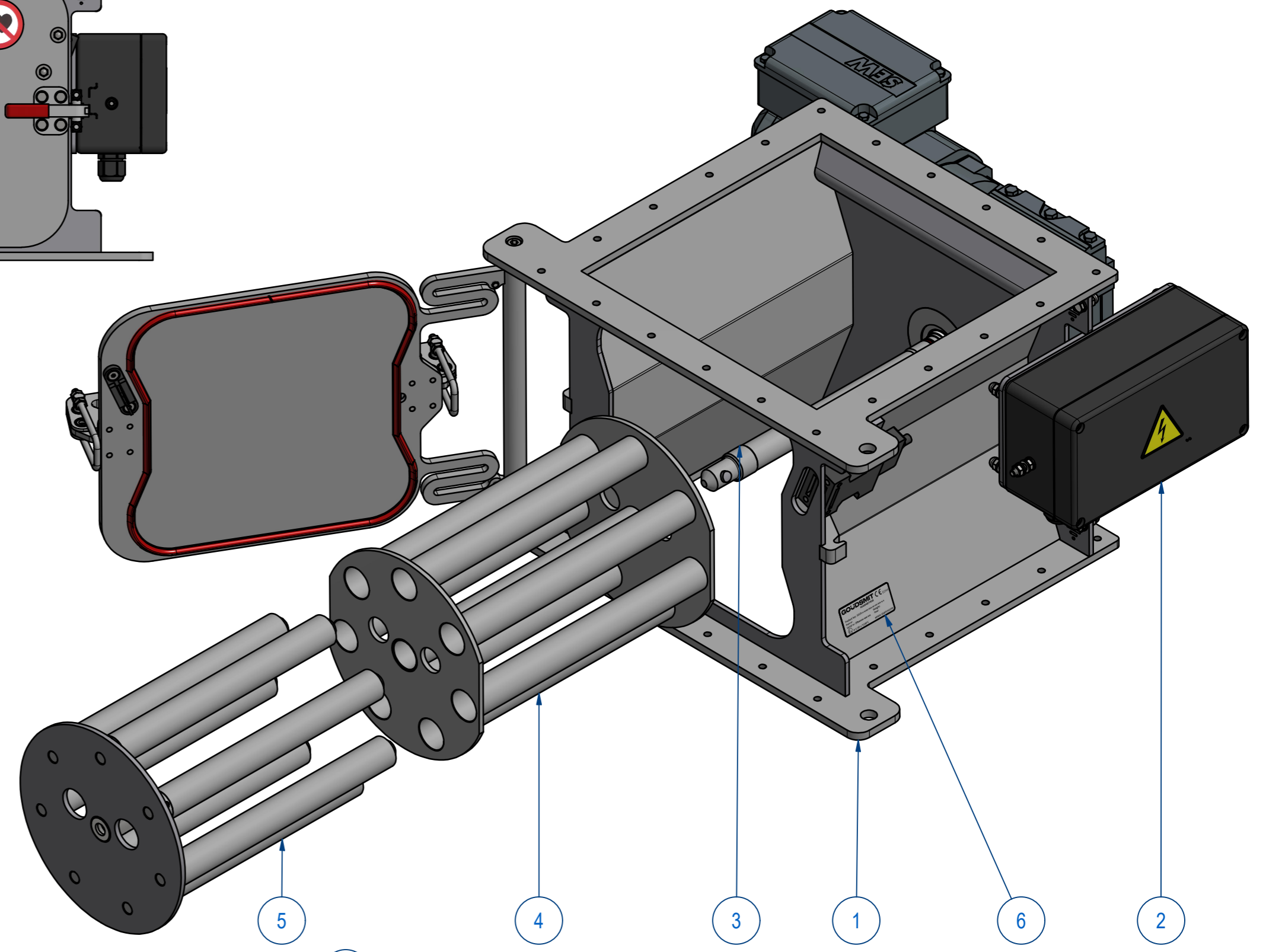
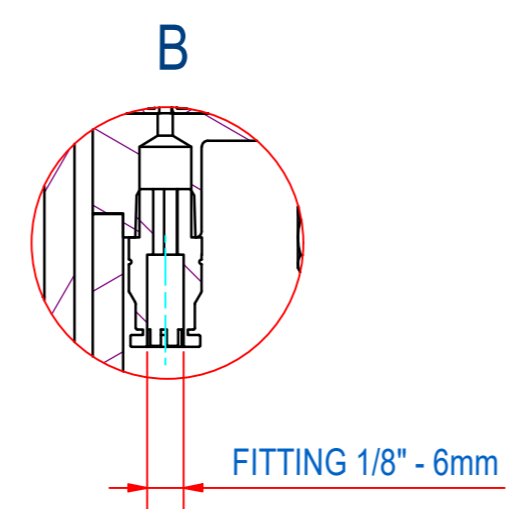
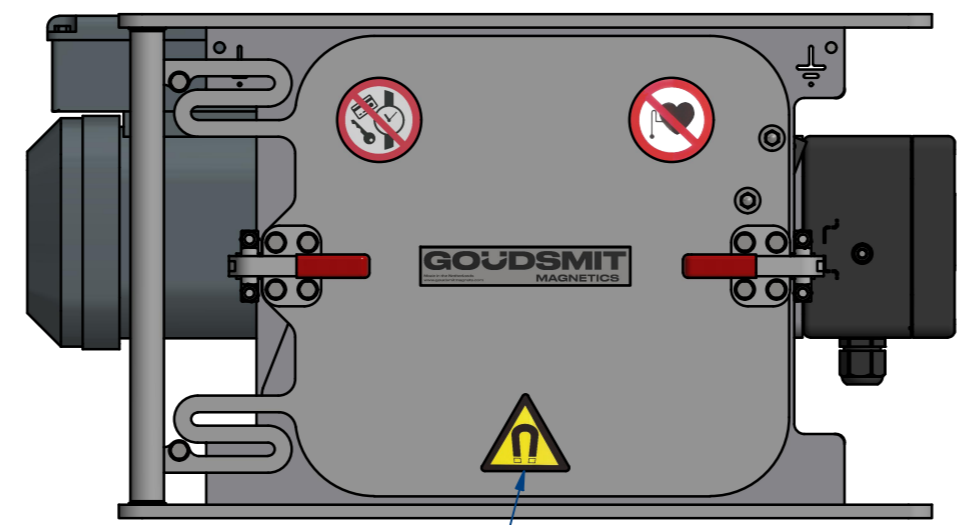
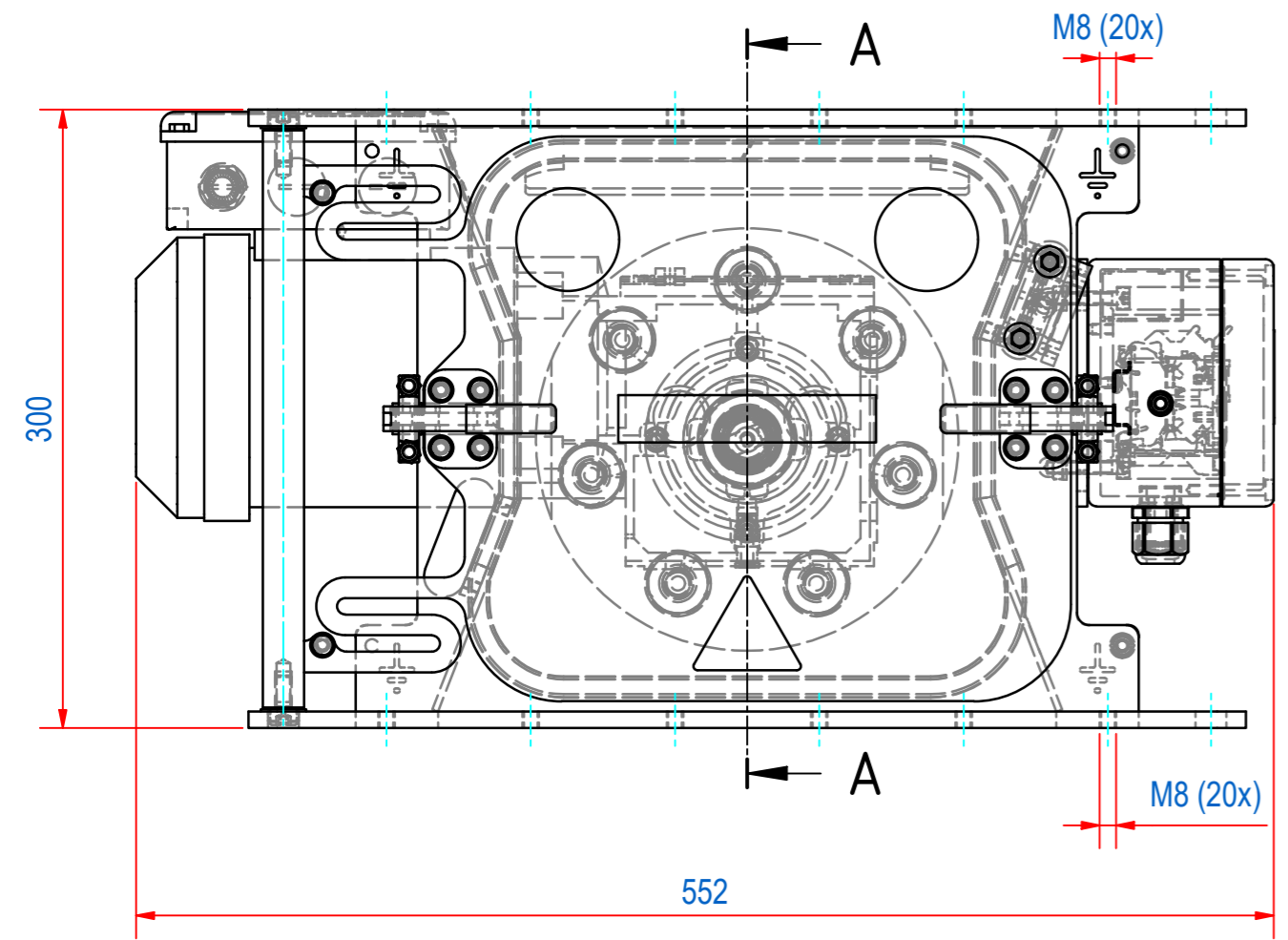
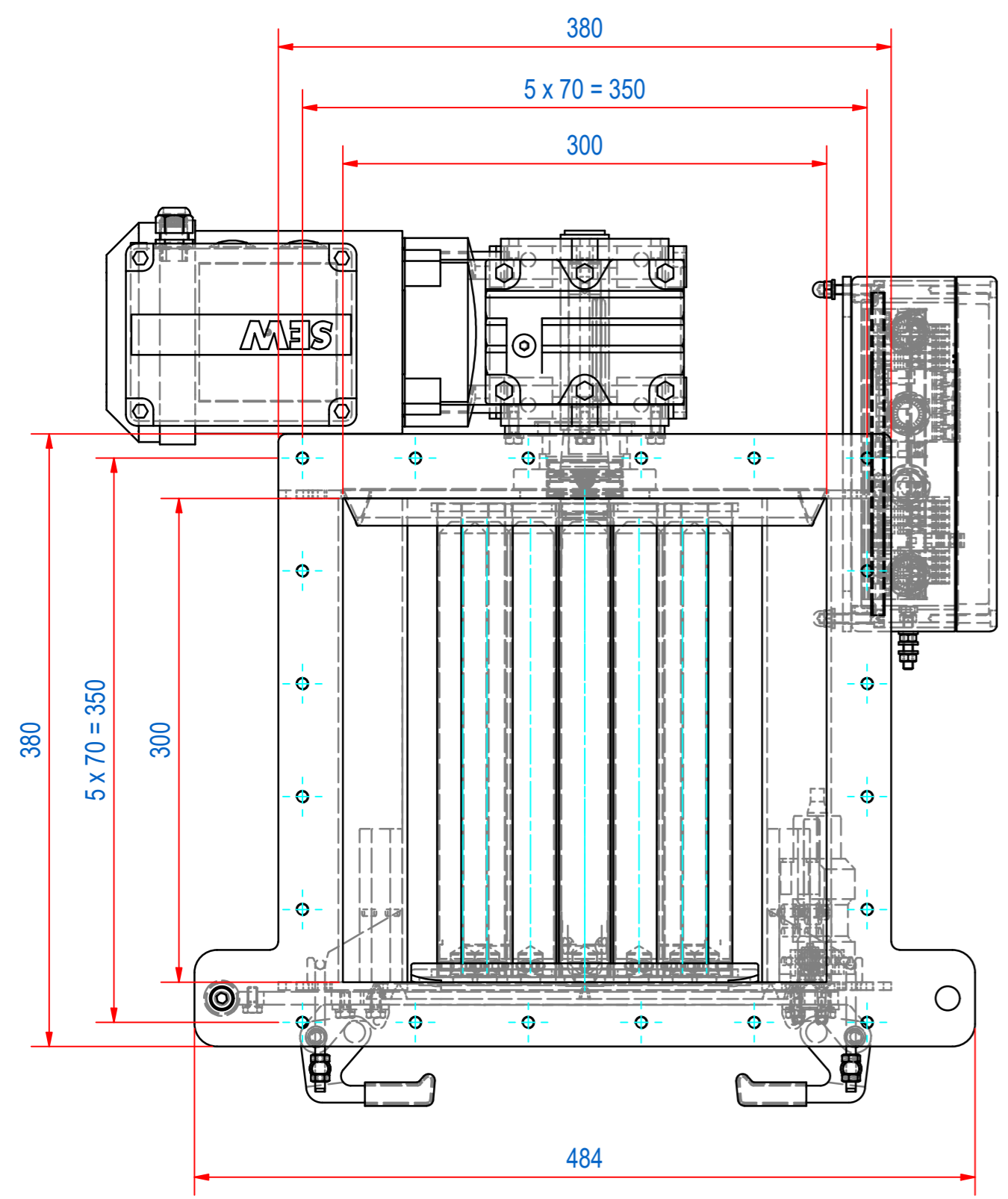
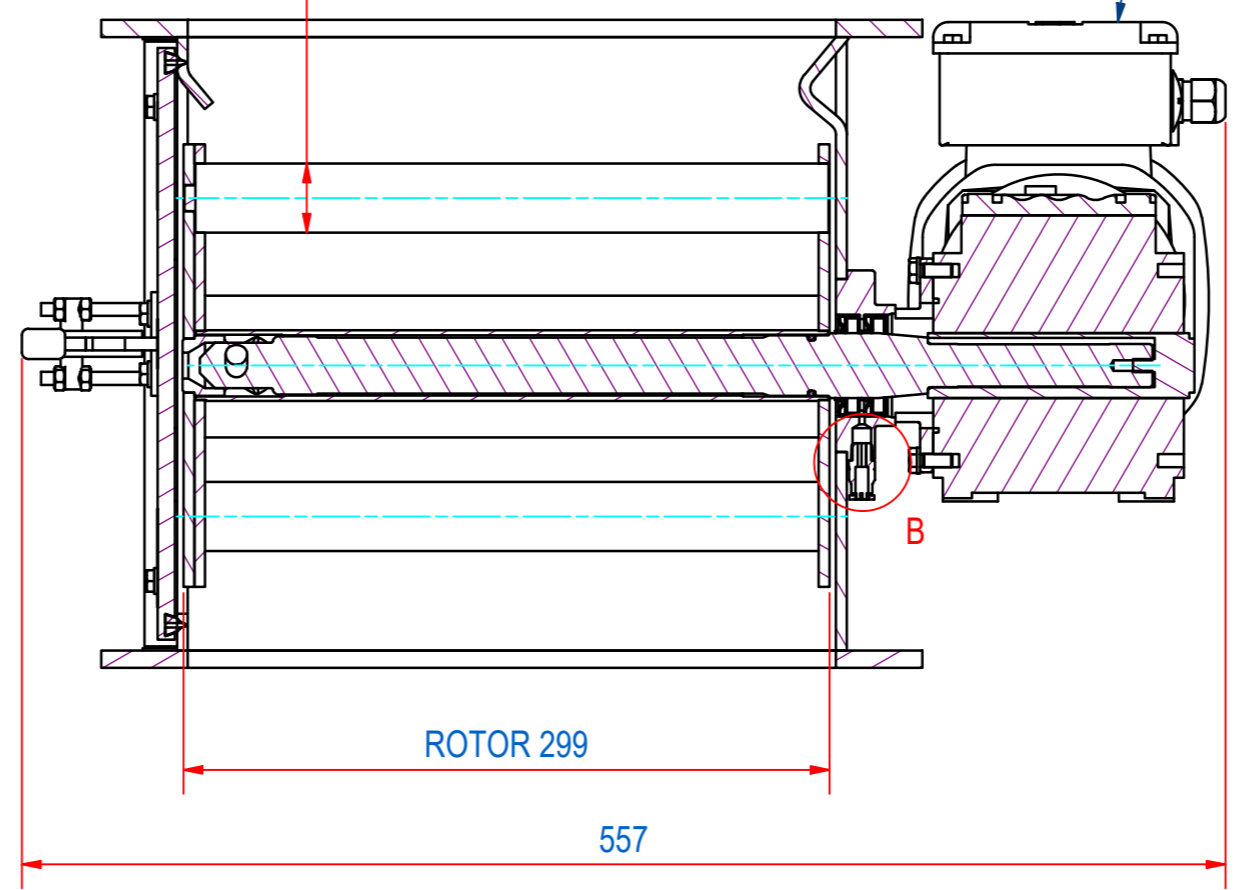


REV	DATE	BY	DESCRIPTION
-	2-2-2023	AvD	RREFERENCE DRAWING SCRB3030012



MAGNETIC BARS: Ø30 / Ø32



THIS DRAWING CORRESPONDS WITH  
ATEX SCHEDULE DRAWING **M53674**

ITEM	QTY	PART NUMBER	DESCRIPTION	Dimensions
8	1	MO03704202	WA30/II2GD EDNRN71M4/2GD/KCC/AL 42RPM	
7	1	E0090159	STICKERS FOR SCRA/SCRB	
6	1	E0090155	TYPE PLATE SECR II 1/2D c T140°C	
5	1	E0153215	SECR-S-3030-07C-HT MAGN PLATE	
4	1	E0152633	SECR-S-3030-07C-B EXTRACTOR	
3	1	A240060	SECR-S-3030 SHAFT	
2	1	A240059	TERMINAL BOX MOUNT ASSY	
1	1	A240057	HOUSE + DOOR CR3030	

RAW MAT.	Quantity	Material Number	Material Description	Length (mm)	Width (mm)
1	1				

Sheet: <b>A2</b>	Extra info: <i>Cleanflow magnet rotating Manual cleaning</i>	General tolerance: <b>ISO 2768 - mK</b>
Drawn: <b>AvD</b>	Weight (kg): <b>55</b>	Drawn according: <b>ISO268; ISO1101; ISO2553</b>
Date: <b>2-2-2023</b>	Source: <b>CR3030</b>	Status: <b>Released</b>
Spare part: <b>False</b>		Customer reference number:
Quick search:		Document number: <b>E0157621</b>
Description: <b>SECR-B-3030-07C-HT-Ex-F5m-B-B-M1-SR-B</b>		Doc.Rev: <b>-</b>
		Part number: <b>E0157621</b>
		Rev: <b>-</b>