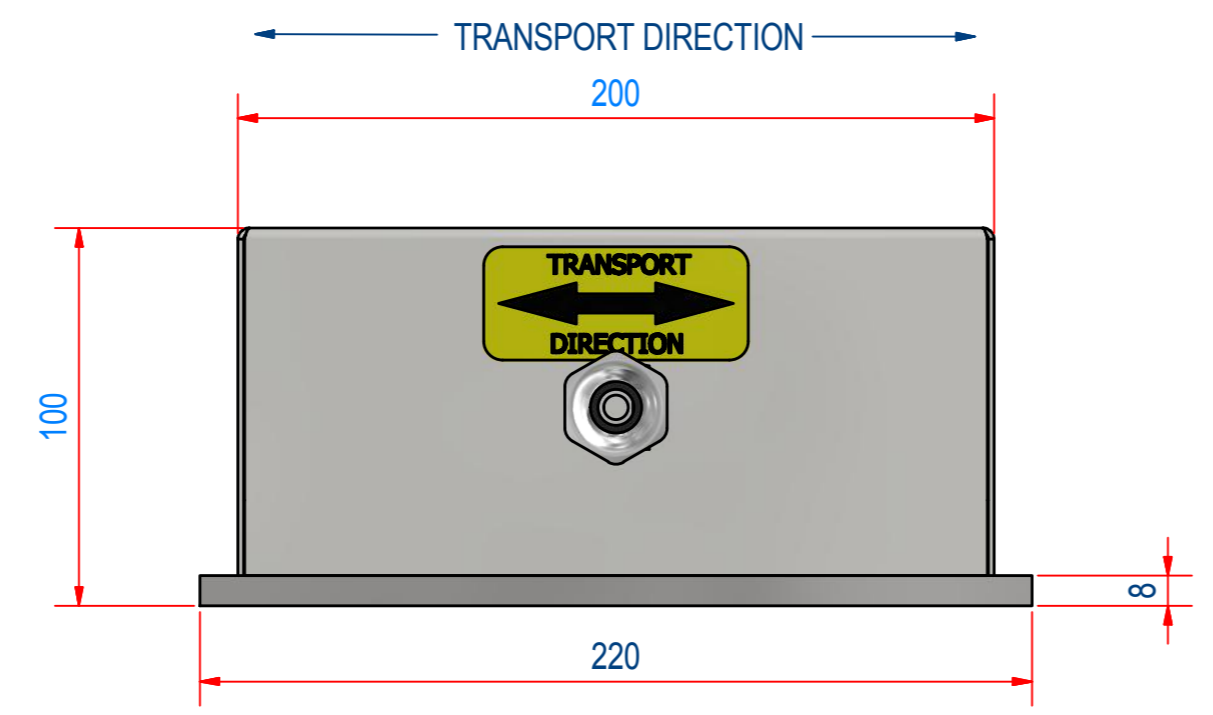
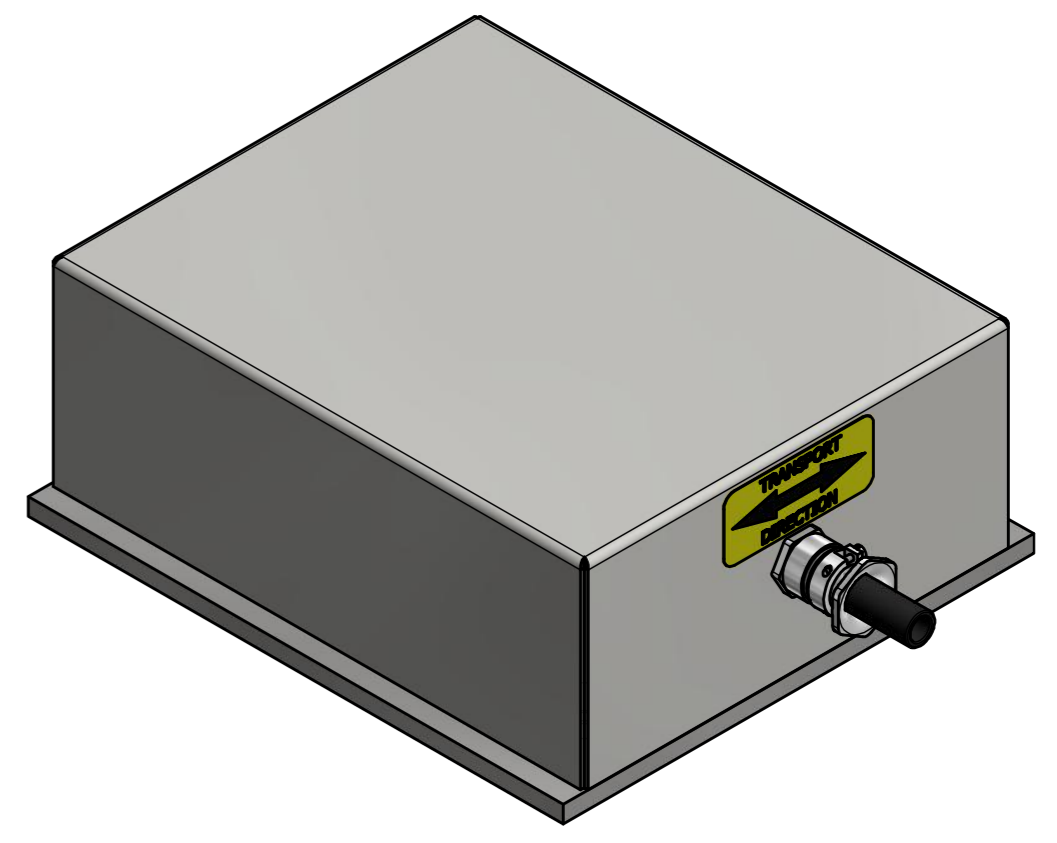
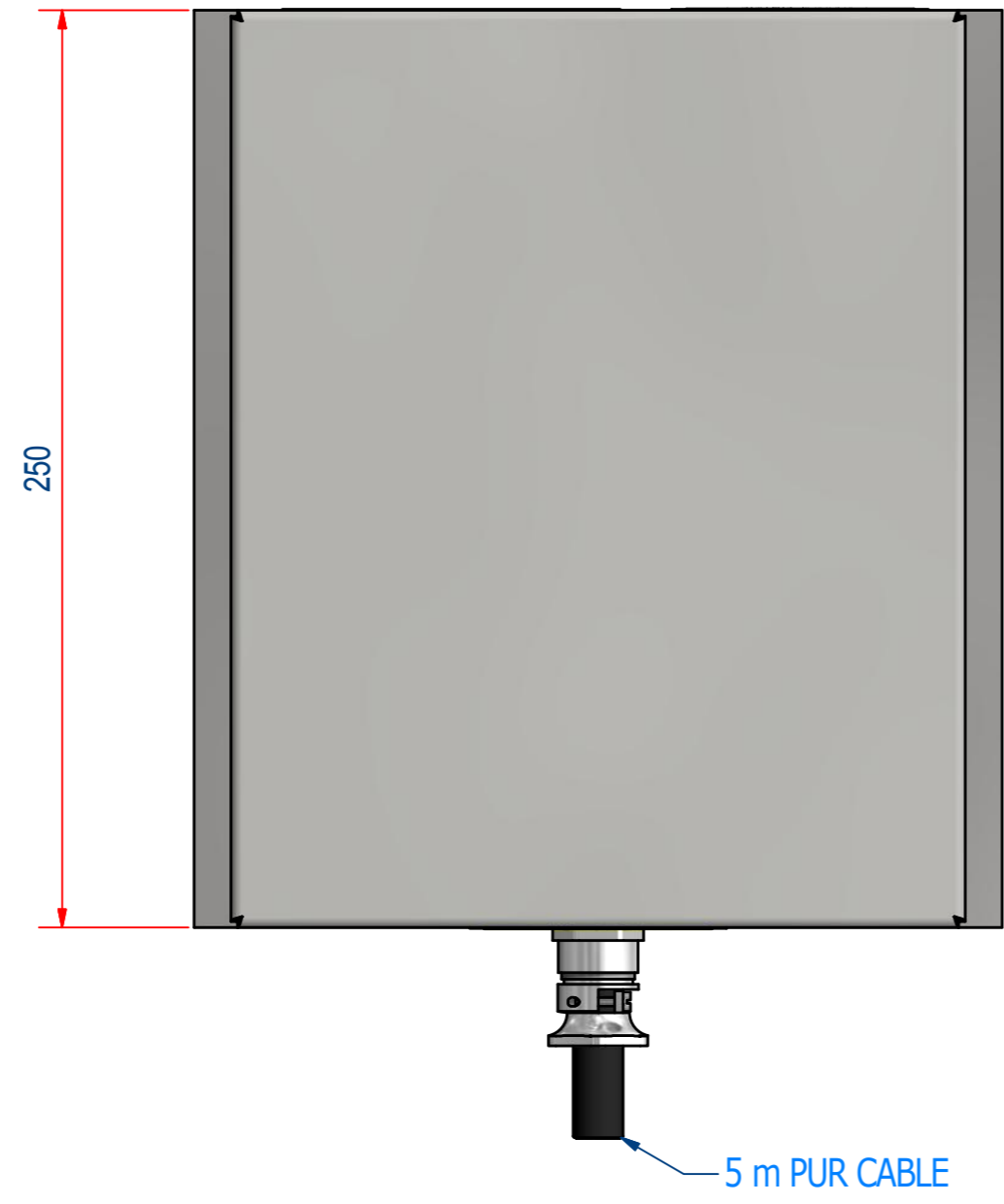
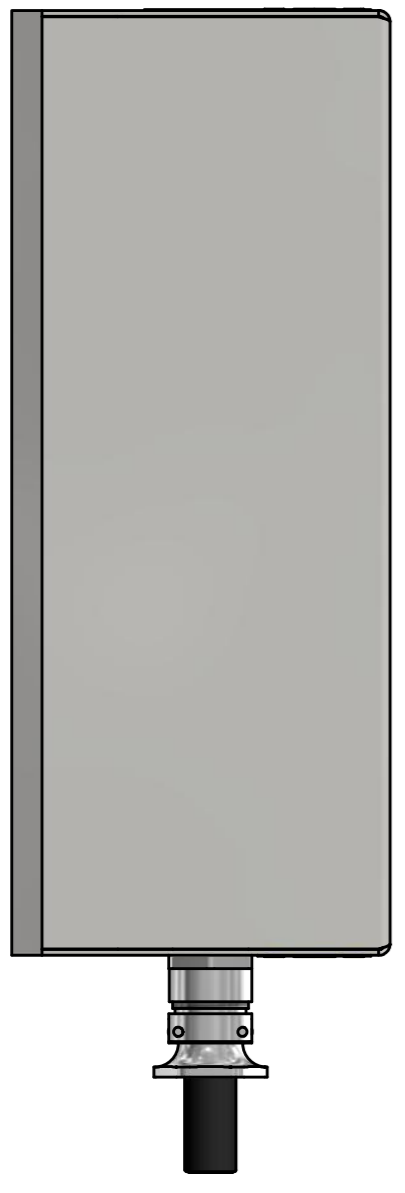
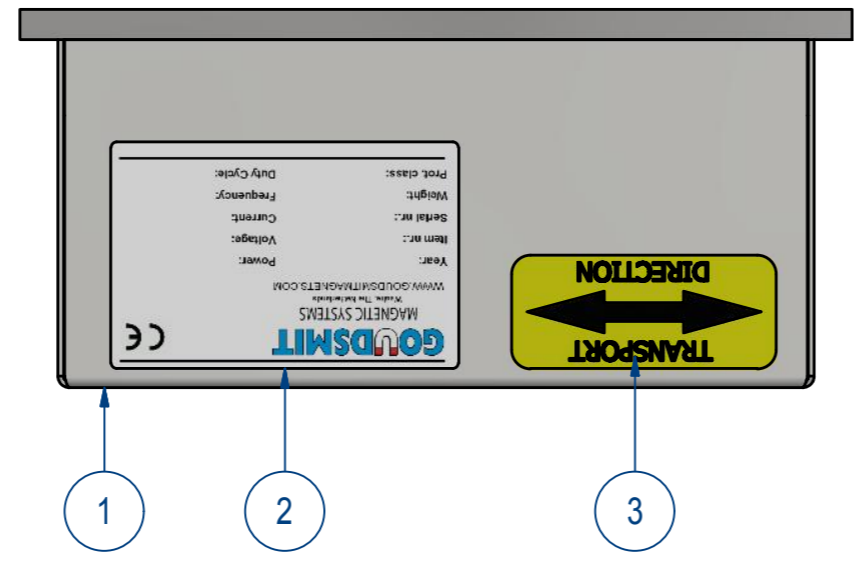


REV	DATE	BY	DESCRIPTION
-	28-11-2014	AVD	REFERENCE EDAR203302, OLD AUTOCAD VERSION WAS REV B



ITEM	QTY	PART NUMBER	DESCRIPTION	Dimensions	
3	2	E0013844	STICKER DOUBLE ARROW		
2	1	P210013	STICKER EDTR		
1	1	E0025032	FINISHING DRAW. DEMAG. TABLE		
RAW MAT.	QTY	MAT. NUMBER	MAT. DESCRIPTION	LENGTH (mm)	WIDTH (mm)
⊕	1		DEMAGNETIZING TABLE		
Drawn:	Sheet: A2	Weight (kg): 30,9	Extra info: DEMAGNETIZING TABLE	General tolerance: ISO 2768 - mK	
Date: 21-11-2014	Goudsmit MAGNETIC SYSTEMS			Drawn according: ISO268; ISO1101; ISO2553	
Spare part: False	© All rights reserved. Reproduction is not permitted without written permission of GOUDSMIT Magnetic Systems BV			Status: Standard	
Quick search: EDAR2520	HDTA-0250x0200-230V-B			Customer reference number:	
Description:	EDAR202503			File number: EDAR202503	Rev: -
	EDAR202503			Part number: EDAR202503	Rev: -