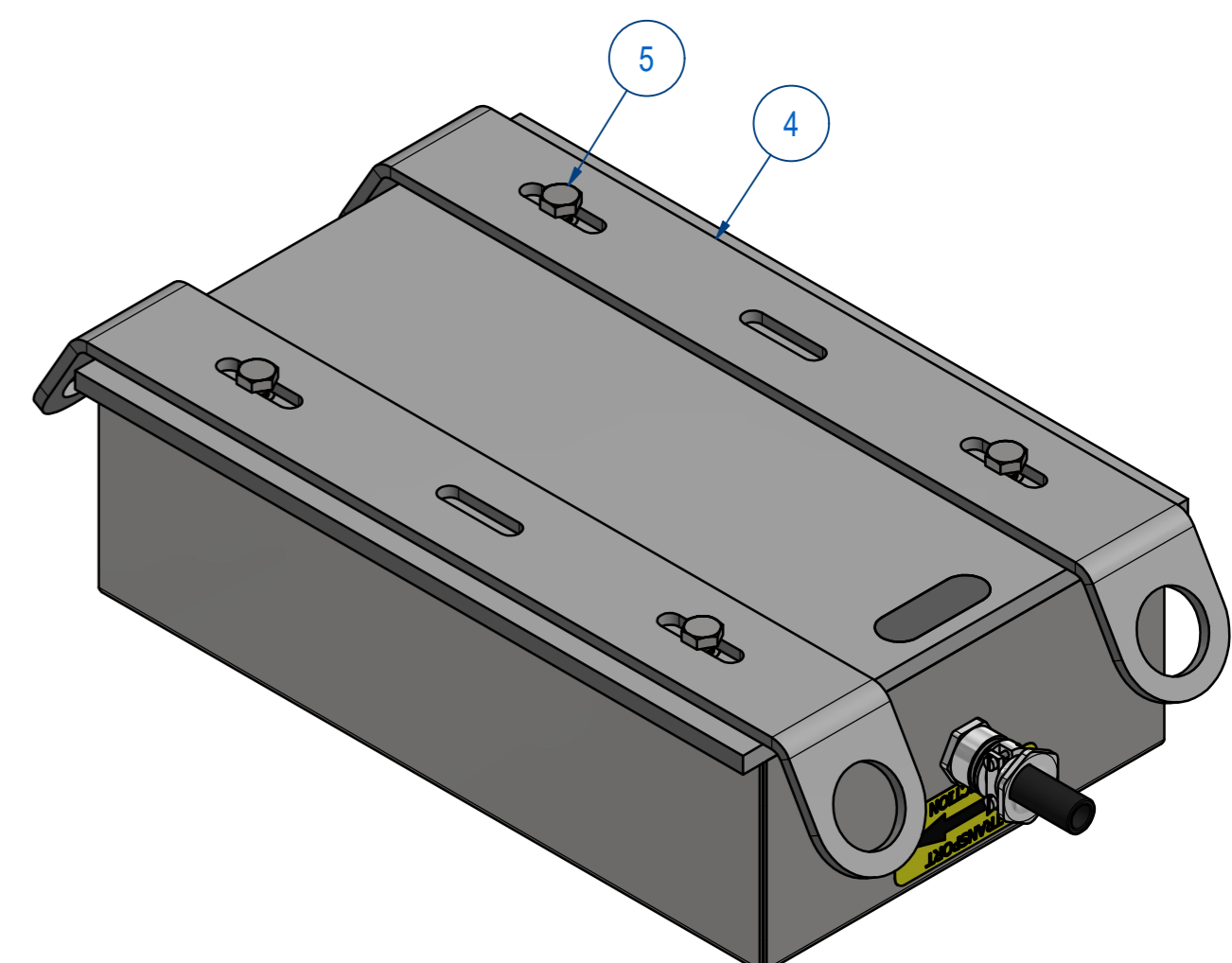
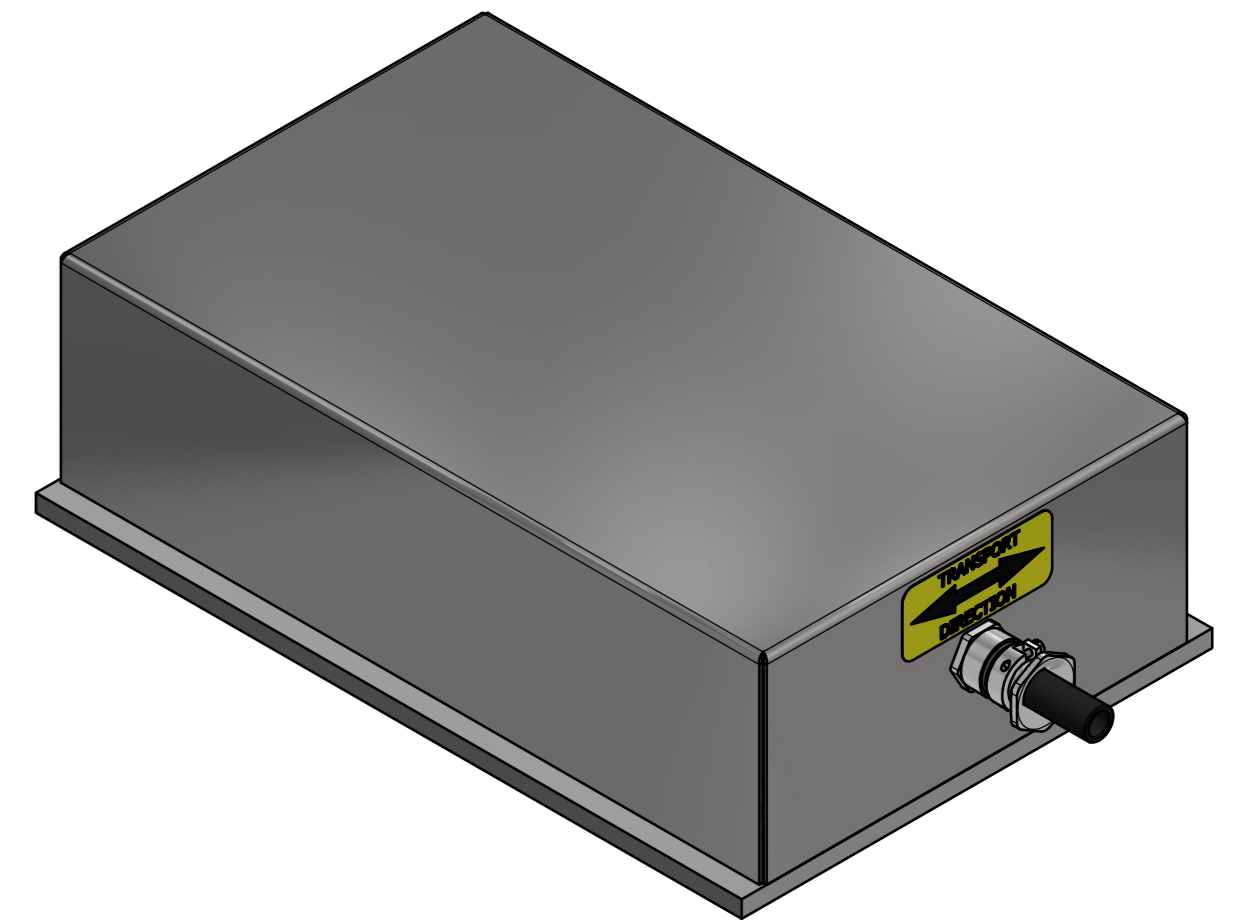
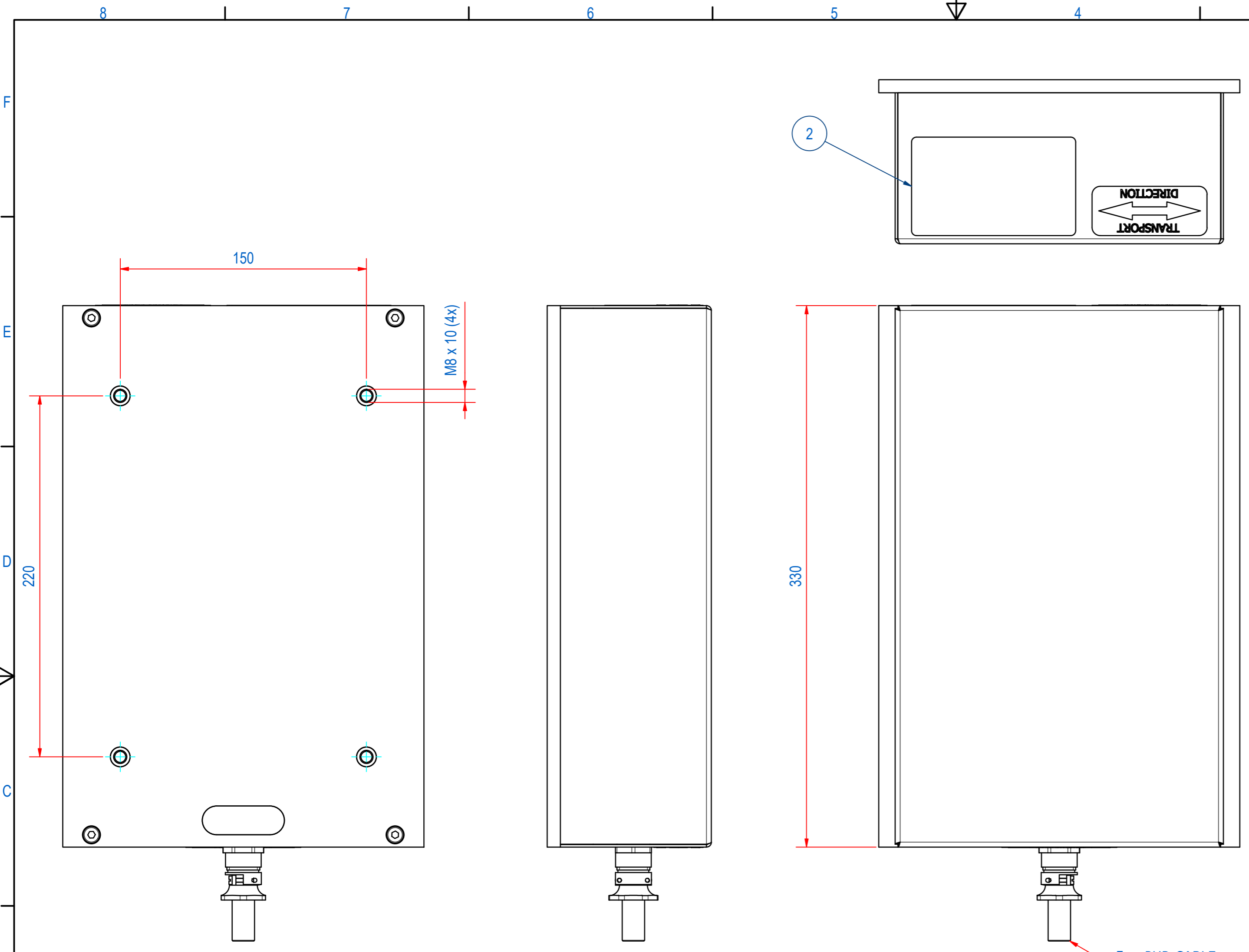
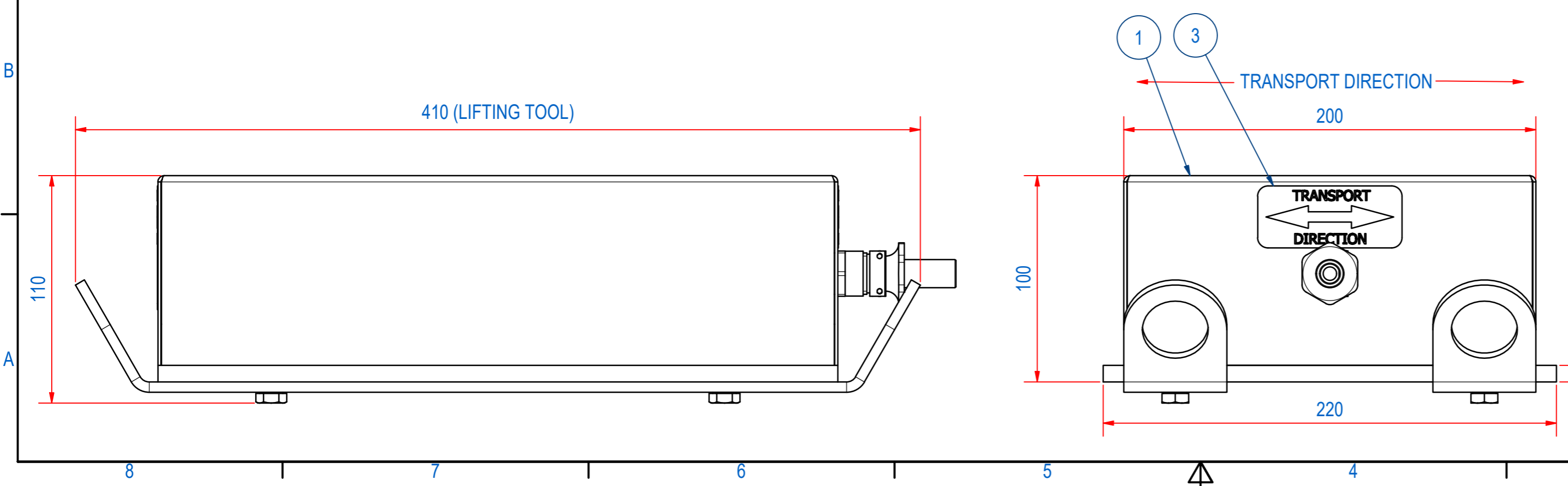


REV	DATE	BY	DESCRIPTION
-	12-8-2013	BS	NEW VAULT, NOTHING CHANGED, IS EQUAL TO OLD REVISION C
A	26-2-2014	PB	ITEM3 (STICKER E0013844, 2x) ADDED
B	27-3-2023	DK	LIFTING TOOL AND BOLTS ADDED



WITH LIFTING TOOLS



ITEM	QTY	PART NUMBER	DESCRIPTION	Dimensions
5	4	50.1308012	BOLT, HEX M8x12-A4	M8 x 12
4	2	E0158384	HDTA-LIFTING TOOL	
3	2	E0013844	HDTA-STICKER DOUBLE ARROW	
2	1	P210013	STICKER EDTR	
1	1	M51805	HDTA-FINISHING DRAW. DEMAG. TABLE	

RAW MAT.	Quantity	Material Number	Material Description	Length (mm)	Width (mm)
⊕	1				

Sheet: A2	Extra info: DEMAGNETIZING TABLE	General tolerance: ISO 2768 - mK
Drawn: PB	Weight (kg): 43	Drawn according: ISO268; ISO1101; ISO2553
Date: 4-11-2004	Source: MC-C	Status: Standard
Spare part: False	Quick search: EDAR3320	Customer reference number:
Description: HDTA-0330x0200-230V-B	Document number: EDAR203302	Doc.Rev: B
	Part number: EDAR203302	Rev: B

© All rights reserved. Reproduction is not permitted without written permission of GOUDSMIT Magnetic Systems BV