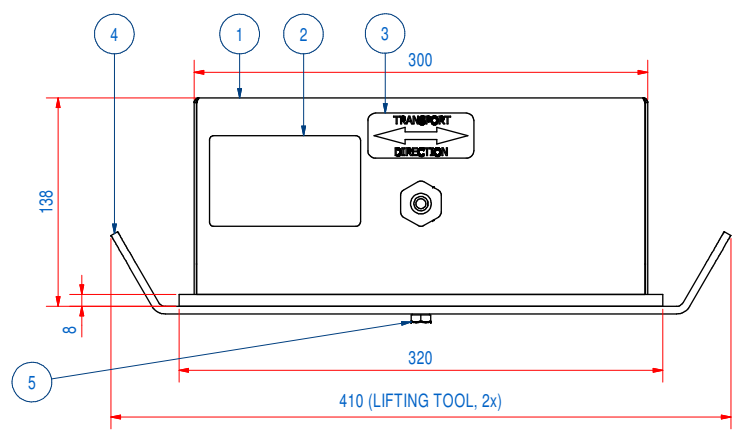
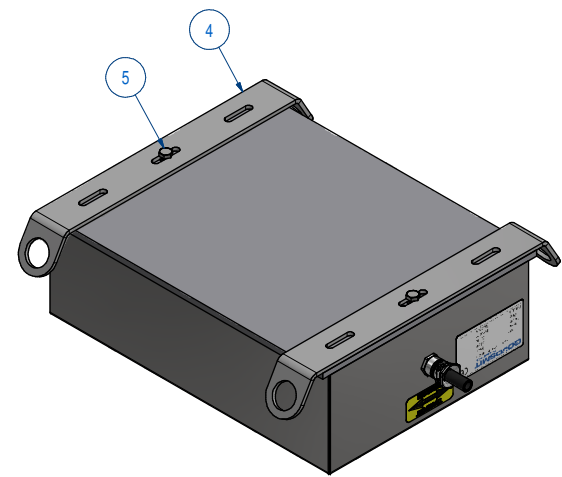
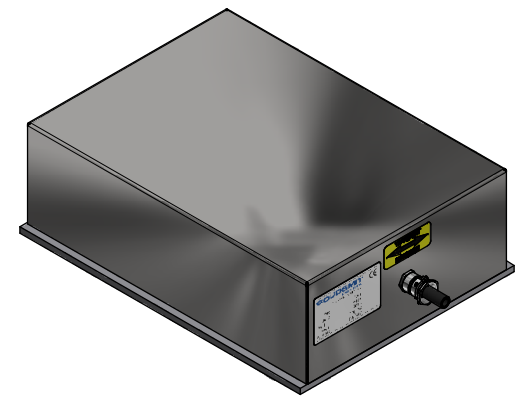
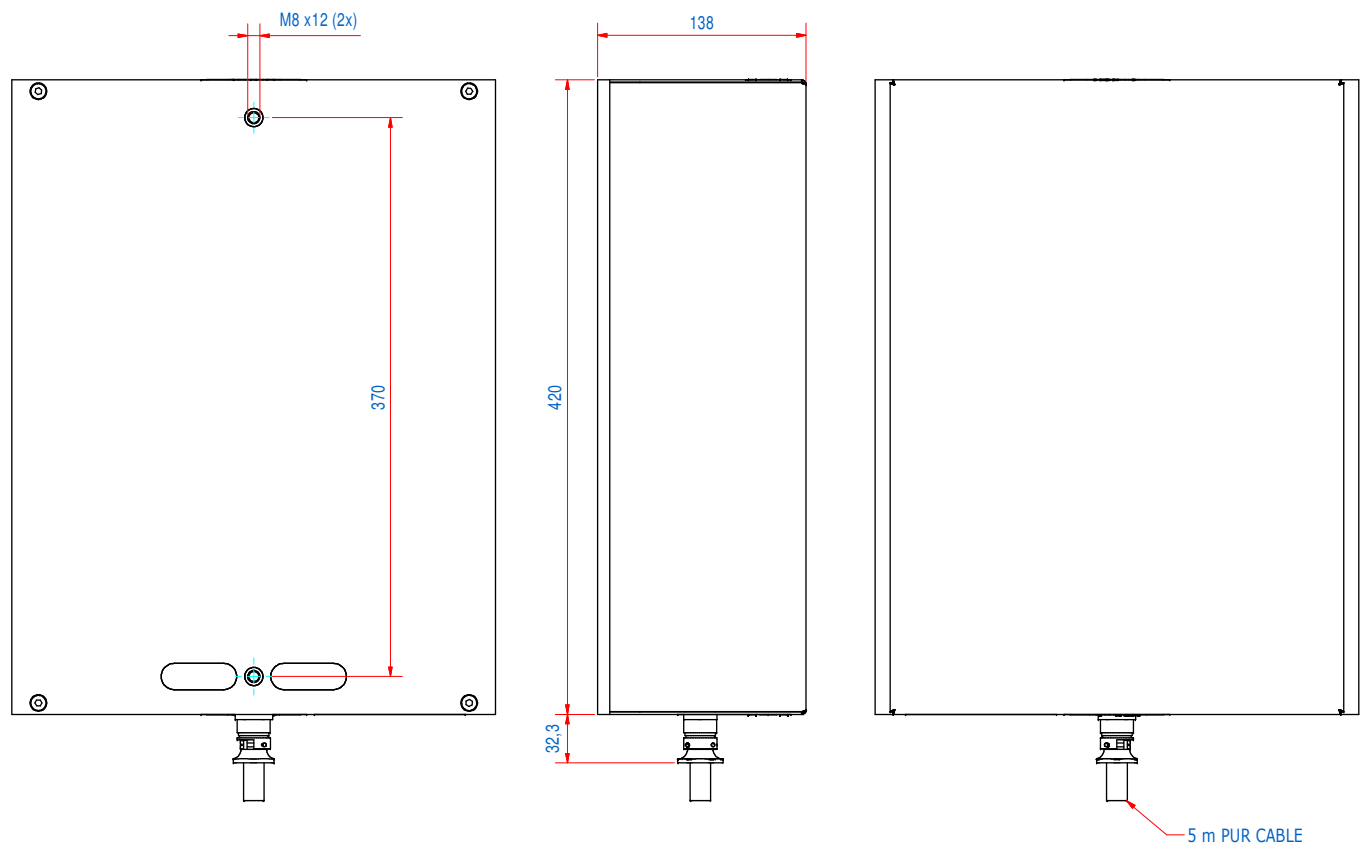


REV	DATE	BY	DESCRIPTION
-	25-7-2013	BS	NEW VAULT, NOTHING CHANGED, IS EQUAL TO OLD REVISION B
A	16-12-2016	PB	ITEM 3 ADDED (STICKER E0013844)
B	23-3-2023	DK	SOURCE CODE ADDED, LIFTING TOOL ADDED



5	2	50.1308012	BOLT, HEX M8x12-A4	M8 x 12
4	2	E0158384	HDTA-LIFTING TOOL	
3	2	E0013844	HDTA-STICKER DOUBLE ARROW	
2	1	P210013	STICKER EDTR	
1	1	A190334	FINISHING DRAW. DEMAG. TABLE	

ITEM	QTY	PART NUMBER	DESCRIPTION	Dimensions
RAW MAT	1			
Quantity		Material Number	Material Description	Length (mm) Width (mm)
Sheet: A2		Extra info: DEMAGNETIZATION TABLE		General tolerance: ISO 2768- mK
Drawn: BS	Weight (kg): 105	Duty Cycle: 100%		Drawn according: ISO268; ISO1101; ISO2553
Date: 25-7-2013	Spare part: False		Source: MC-C	Status: Standard
Quick search: EDAR4230	© All rights reserved. Reproduction is not permitted without written permission of GOUDSMIT Magnetic Systems BV		Document number: EDAR304202	Doc.Rev: B
Description: HDTA-0420x0300-230V-B	Part number: EDAR304202		Rev: B	