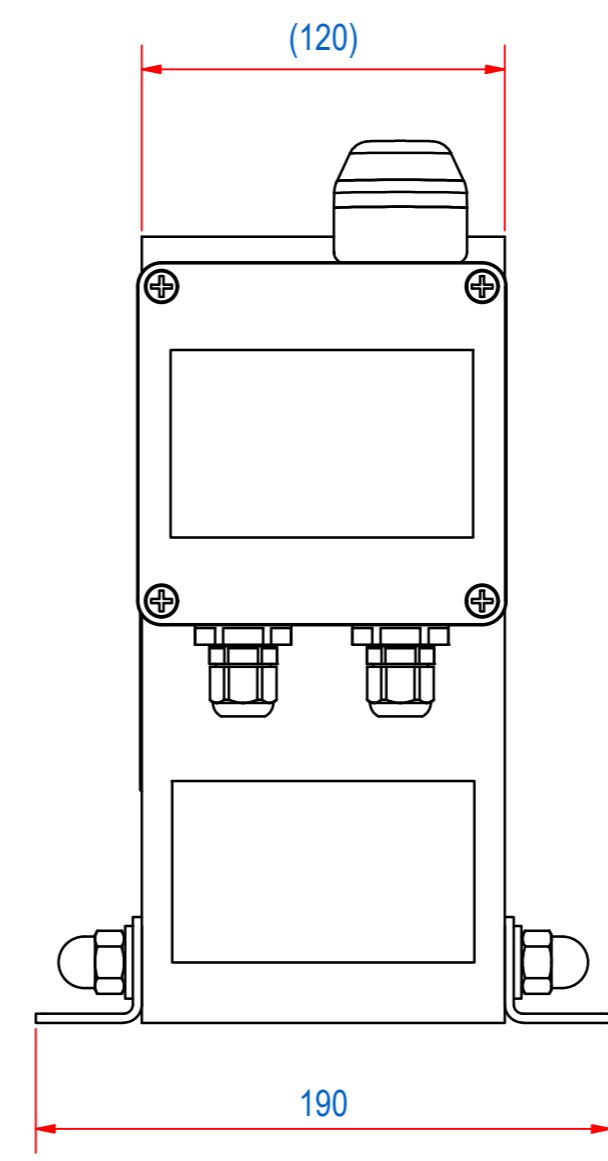
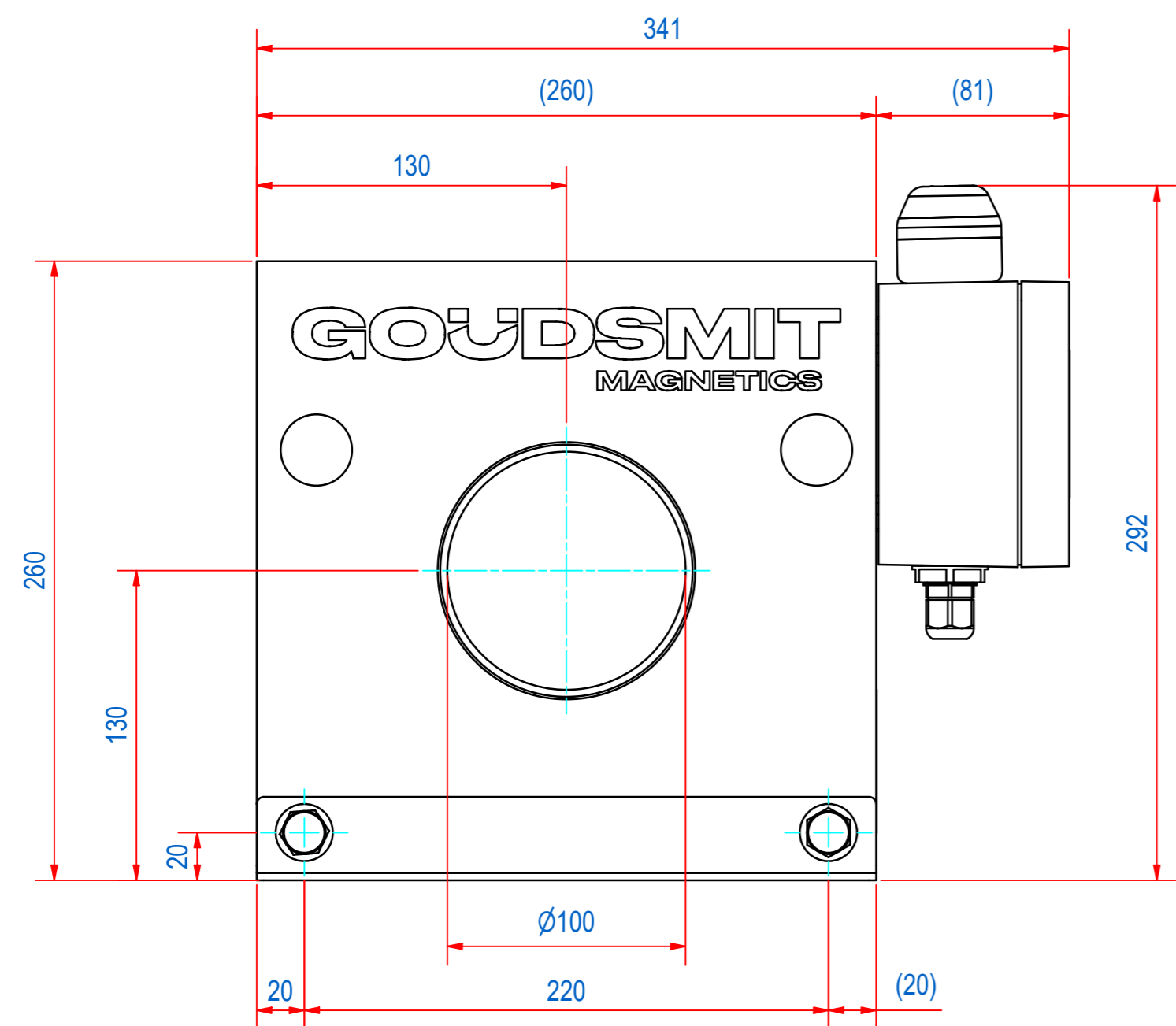
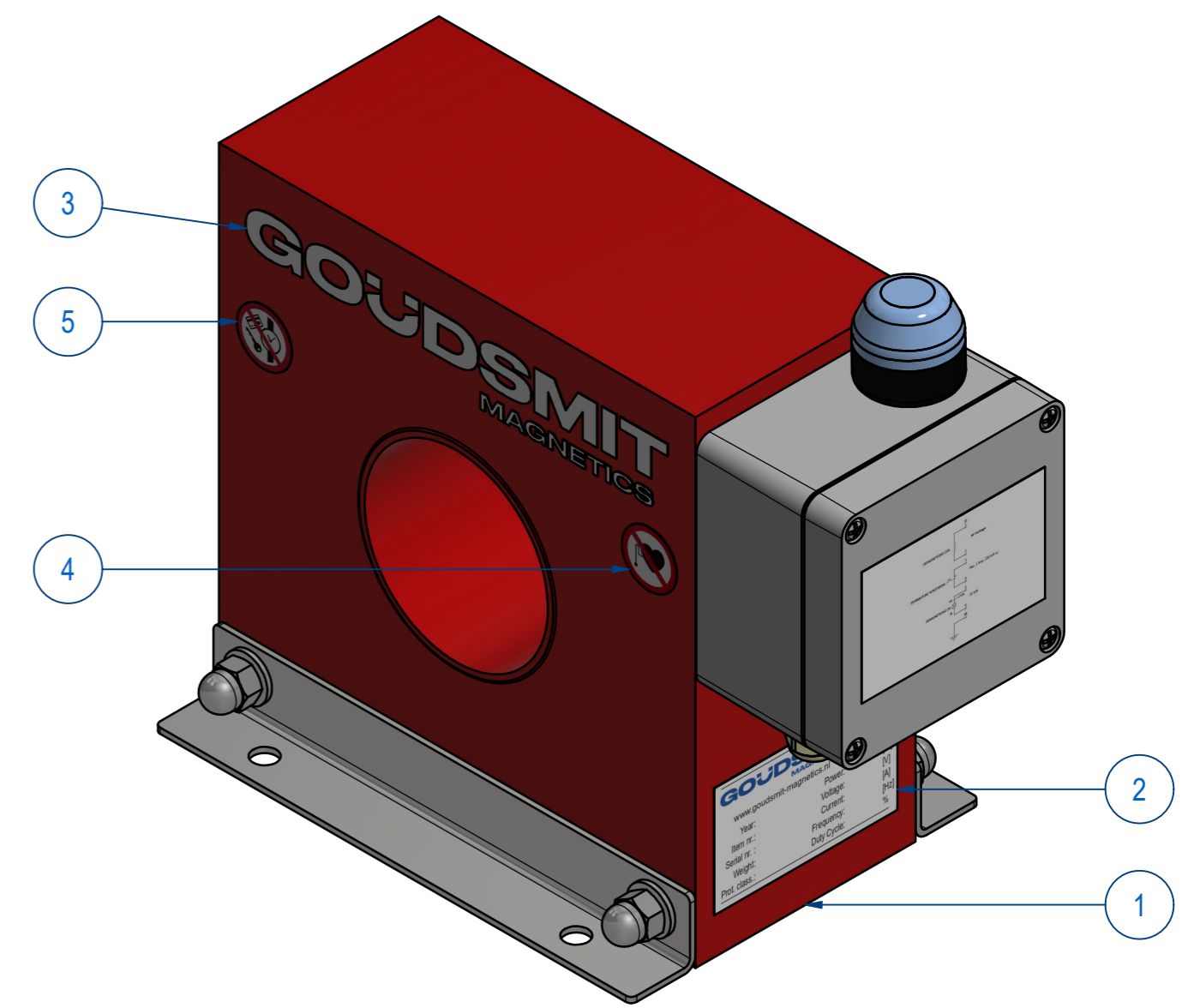
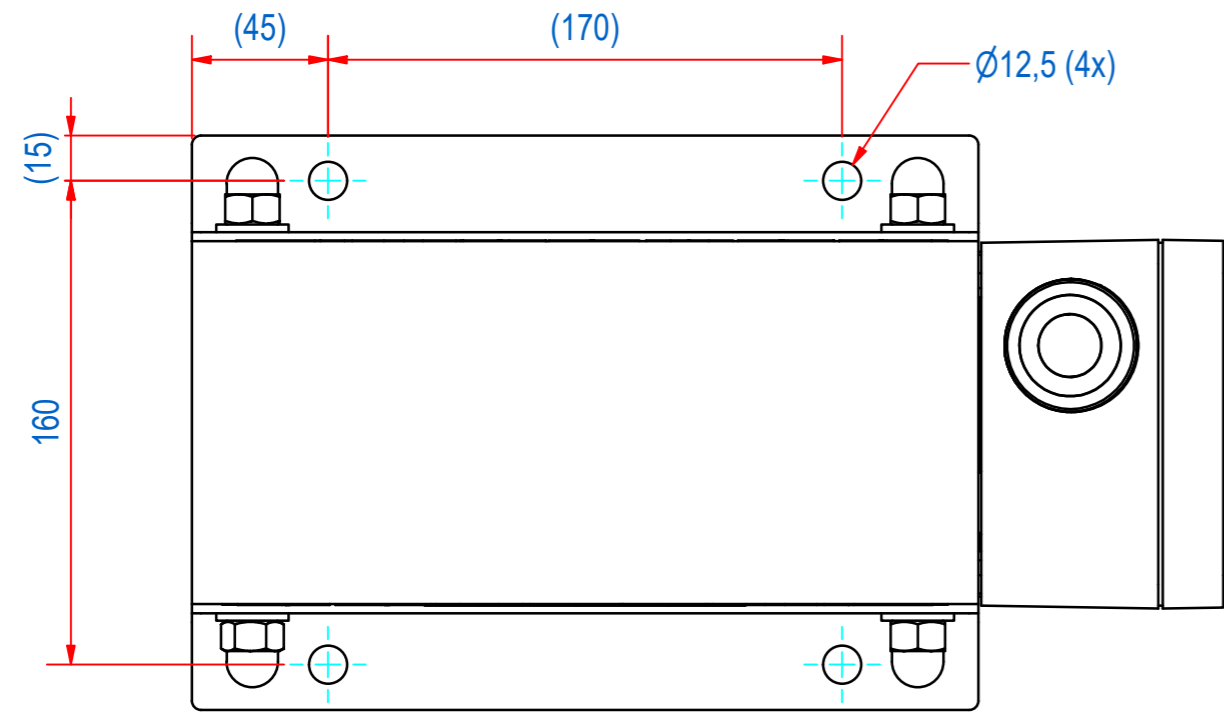


REV	DATE	BY	DESCRIPTION
B	14-3-2023	DK	NUMBER OF HOLES $\varnothing 12.5$ CORRECTED TO 4x
C	15-3-2023	DK	STICKER 1000.20004 REPLACED BY E0125602
D	27-3-2023	DK	VIEWS UPDATED



ITEM	QTY	PART NUMBER	DESCRIPTION	Dimensions
5	2	1000.20019	STICKER ARTICLES FORBID D30	
4	2	1000.20020	STICKER PACEMAKER FORBID. D=30	
3	2	E0125602	STICKER GOUDSMIT W230 H35	
2	1	P190179	HDTU-STICKER DEMAG. TUNNEL	
1	1	E0110828	HDTU-DEMAG. ASSEMBLY	

RAW MAT.	Quantity	Material Number	Material Description	Length (mm)	Width (mm)
⊕	1	A2	Extra info: DEMAG TUNNEL 523VA 100% DUTY CYCLE		
Drawn:	GS	Weight (kg):	38	General tolerance: ISO 2768 - mK	
Date:	19-2-2019	Goudsmit Magnetics logo		Drawn according: ISO268; ISO1101; ISO2553	
Spare part:	False	Source:	MC-C	Status: Standard	
Quick search:	EDTD10	© All rights reserved. Reproduction is not permitted without written permission of GOUDSMIT Magnetic Systems BV		Document number:	Doc.Rev: D
Description:	HDTU-H-O-D0100-230V-B			Part number:	Rev: D