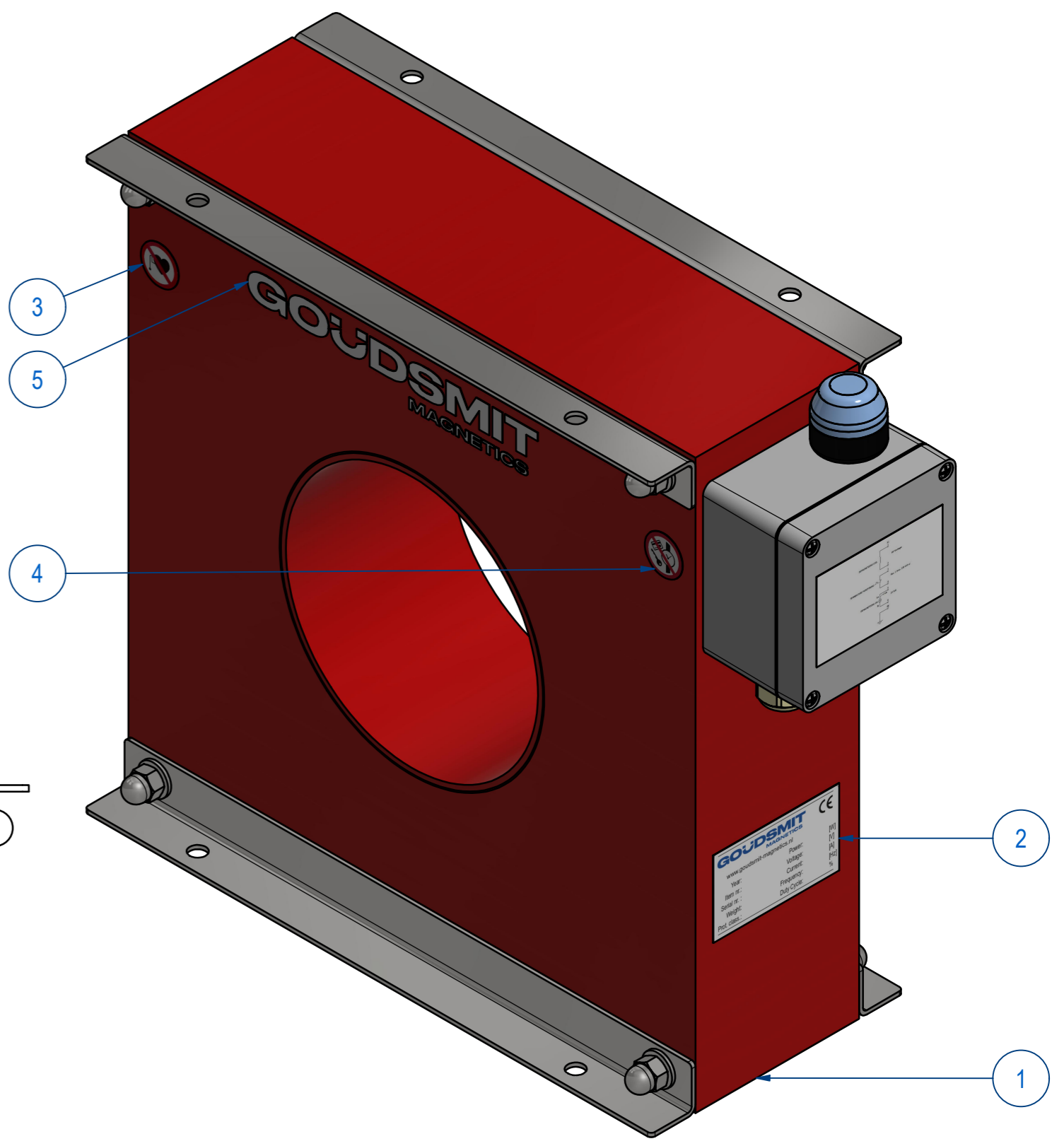
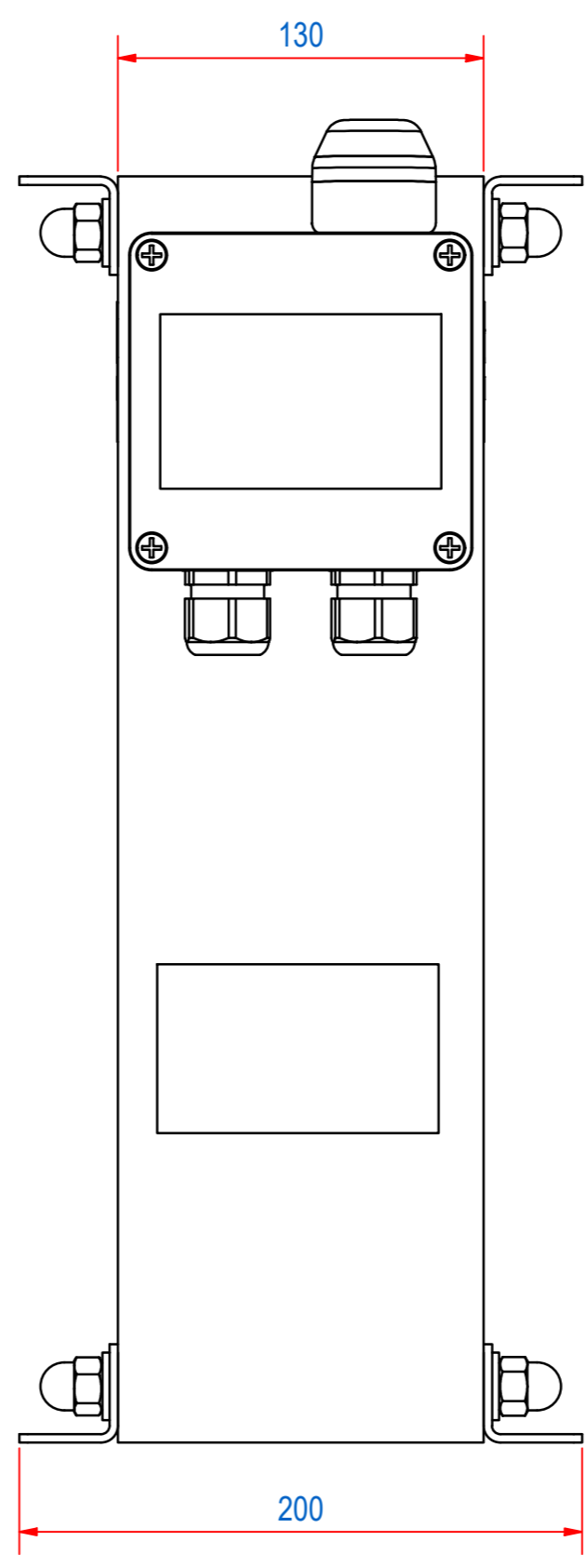
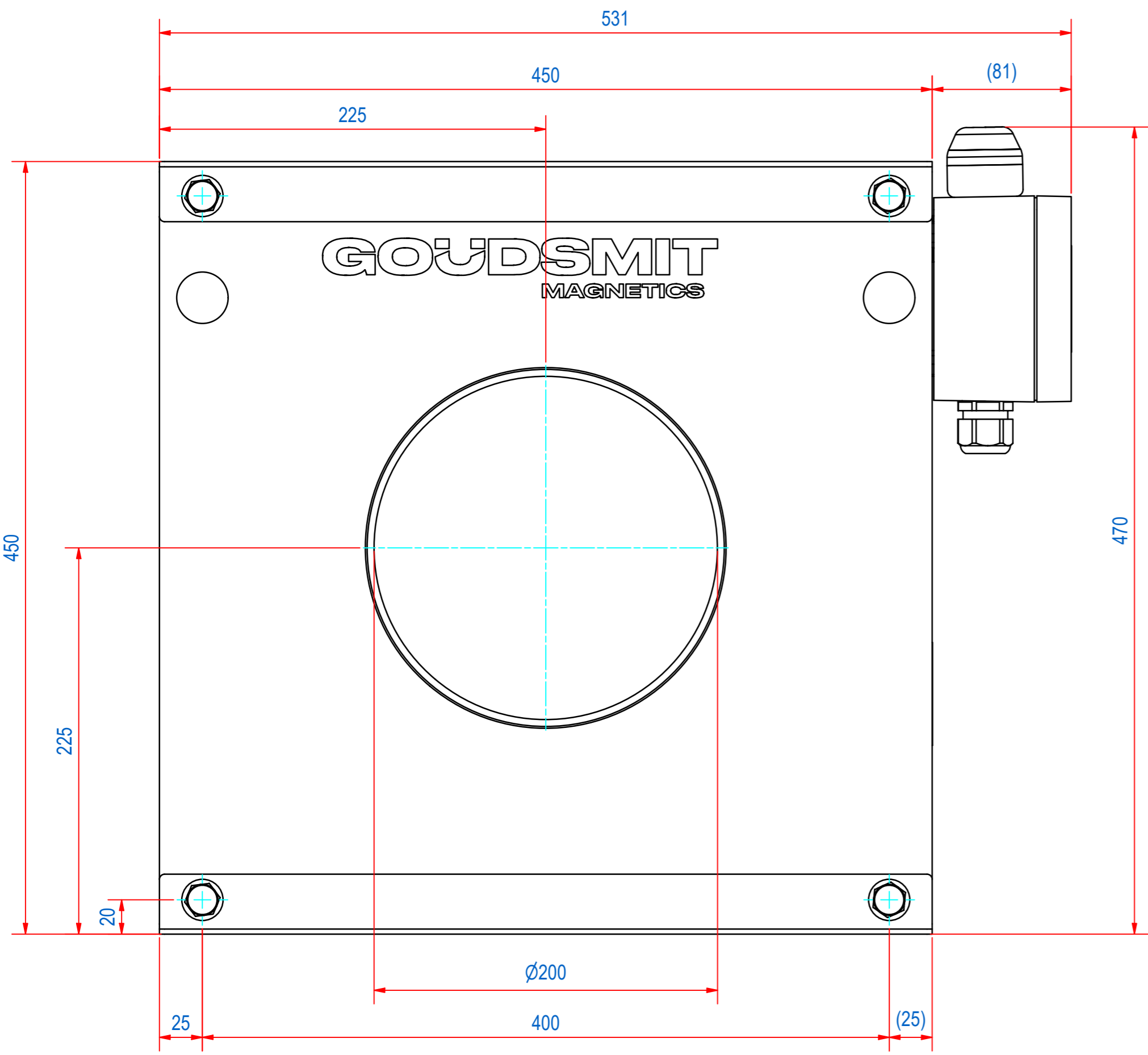
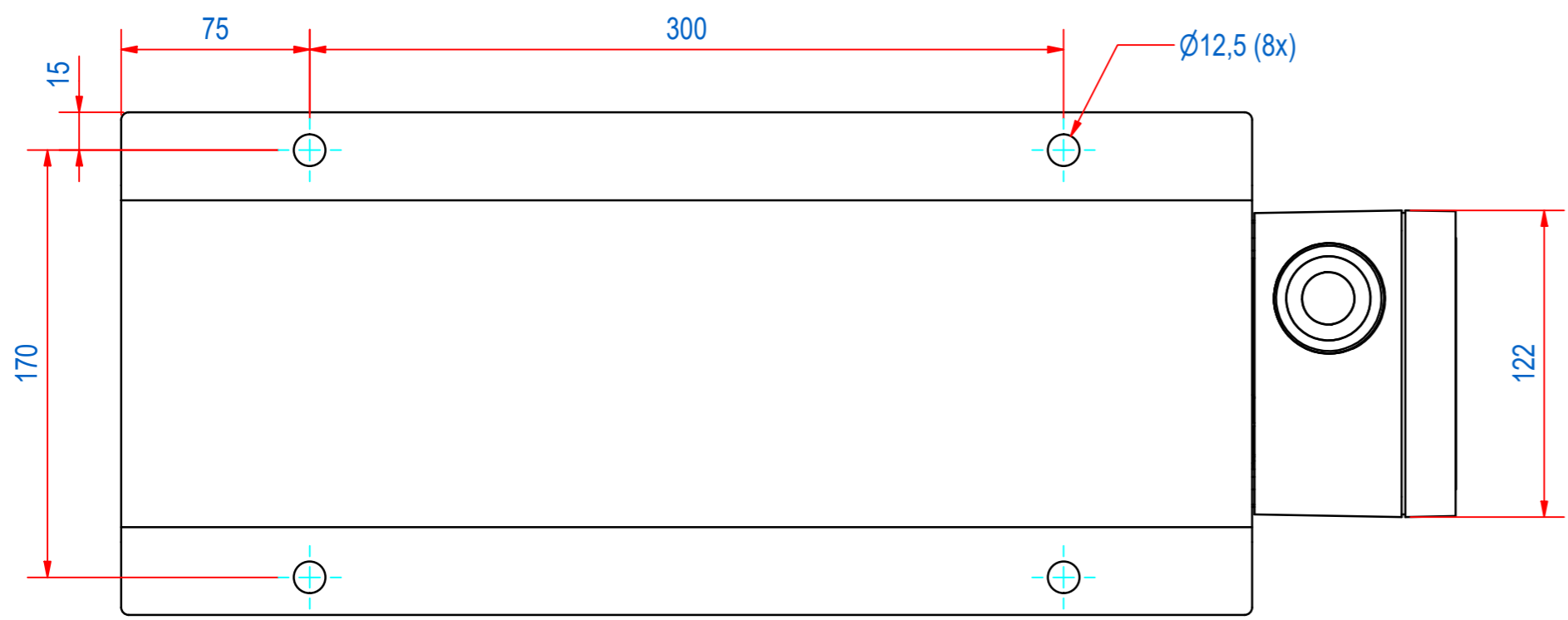


| DOC.NR. | REV | DATE | BY | DESCRIPTION |
|------------|-----|-----------|----|-----------------------------|
| EDTD020002 | - | 20-2-2019 | GS | REFERENCE EDTD020001 |
| EDTD020002 | A | 19-1-2023 | TT | CONNECTION BOX REPLACED |
| EDTD020002 | B | 13-3-2023 | DK | HOLE DIAMETER ø12.5 WAS ø12 |



| ITEM | QTY | PART NUMBER | DESCRIPTION | Dimensions | |
|---------------|-----------------------|-----------------|---|---|------------|
| 5 | 2 | E0125602 | STICKER GOUDSMIT W230 H35 | | |
| 4 | 2 | 1000.20019 | STICKER ARTICLES FORBID D30 | | |
| 3 | 2 | 1000.20020 | STICKER PACEMAKER FORBID. D=30 | | |
| 2 | 1 | P190179 | HDTU-STICKER DEMAG. TUNNEL | | |
| 1 | 1 | E0111014 | HDTU-DEMAG. ASSEMBLY EDTD020002 | | |
| RAW MAT. | Quantity | Material Number | Material Description | Length (mm) | Width (mm) |
| ⊕ | 1 | A2 | Sheet: A2 Extra info: DEMAG TUNNEL 1565VA 100% DUTY CYCLE | General tolerance: ISO 2768 - mK | |
| Drawn: | GS | Weight (kg): 69 | | Drawn according: ISO268; ISO1101; ISO2553 | |
| Date: | 20-2-2019 | | | Status: Standard | |
| Spare part: | False | Source: MC-C | | Customer reference number: | |
| Quick search: | EDTD20 | | | Document number: EDTD020002 | Doc.Rev: B |
| Description: | HDTU-H-O-D0200-230V-B | | | Part number: EDTD020002 | Rev: B |