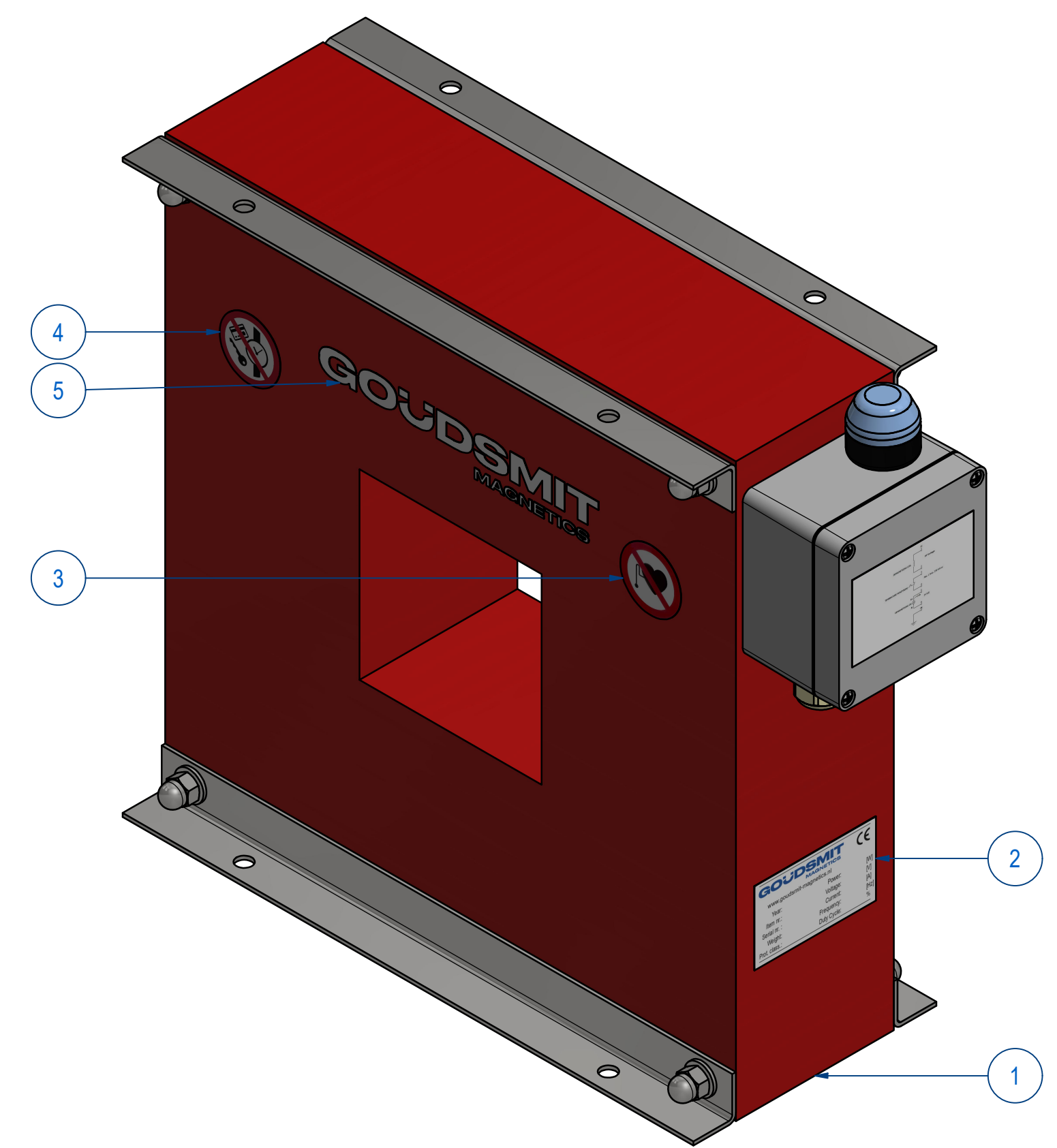
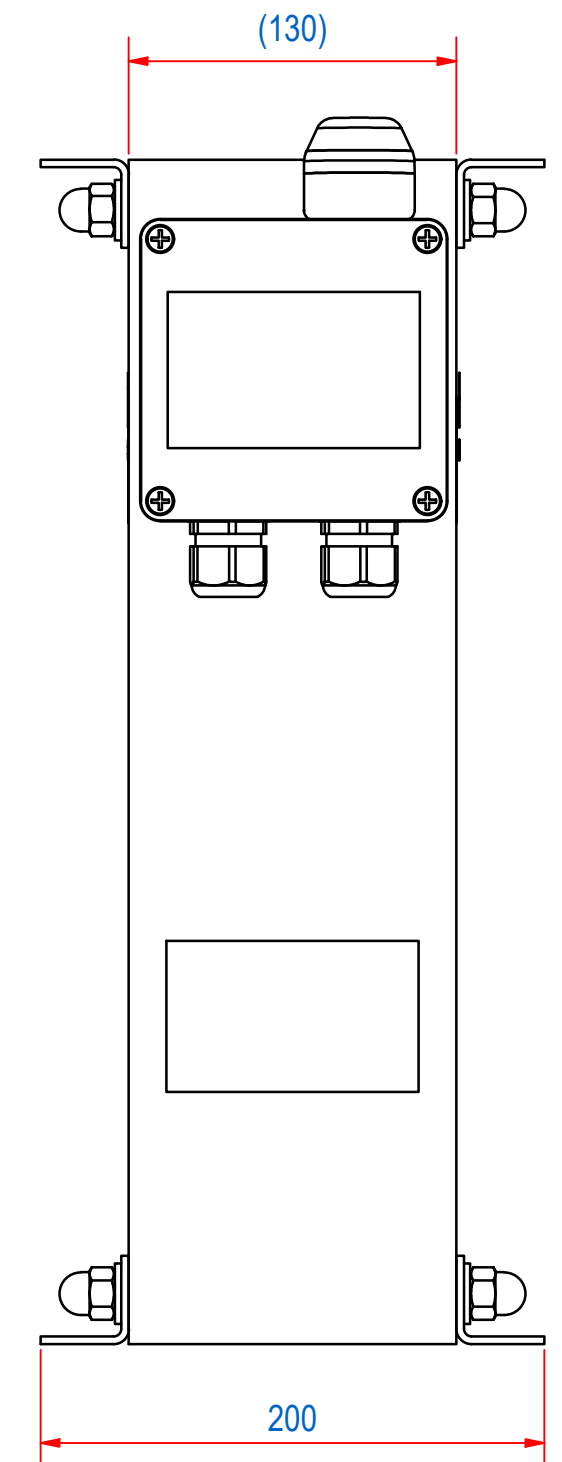
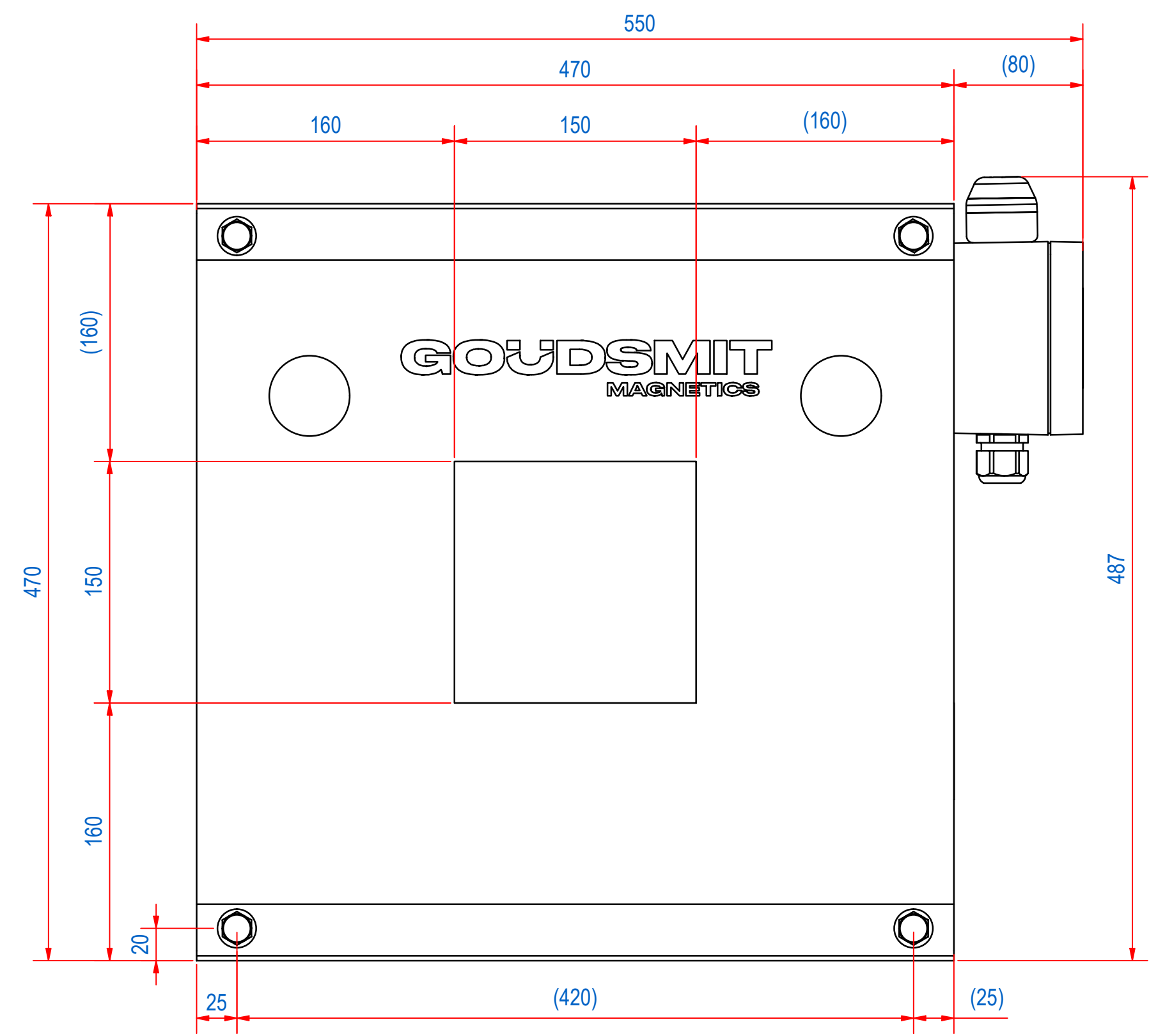
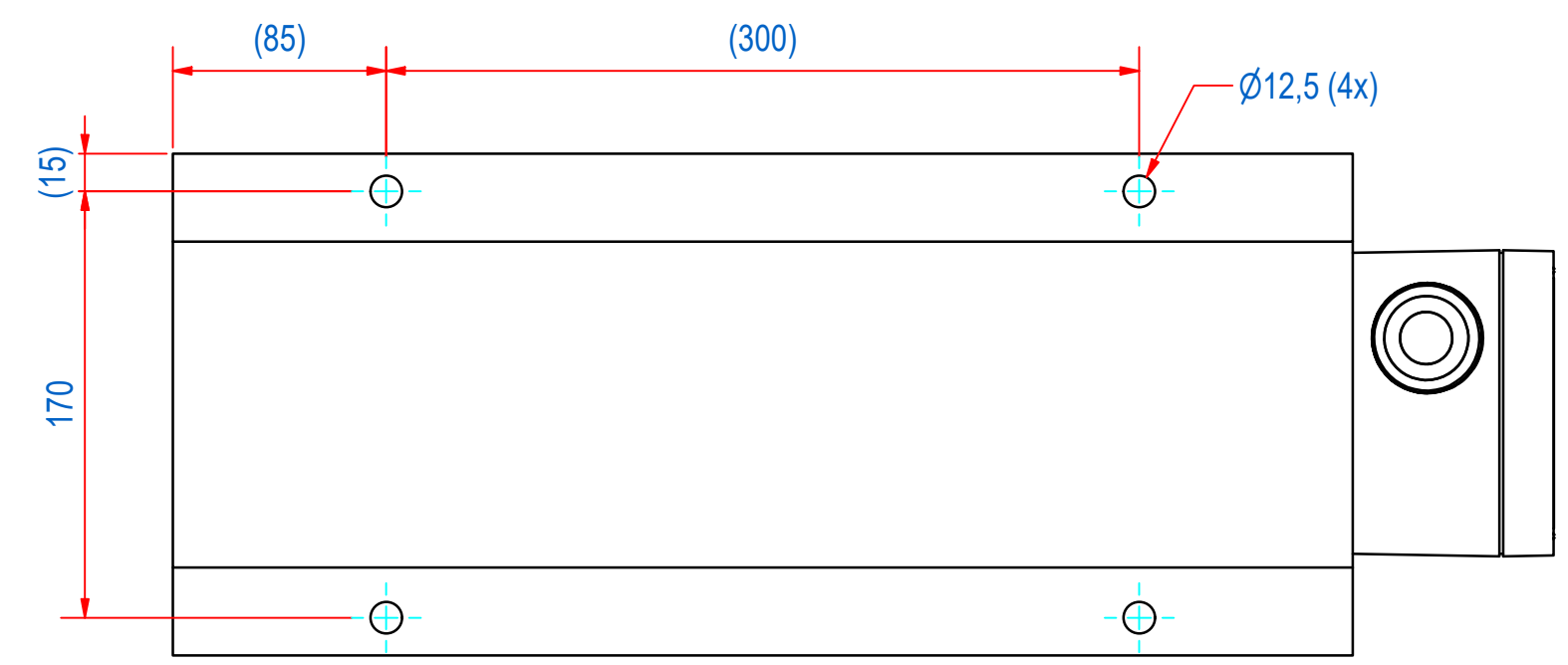



REV	DATE	BY	DESCRIPTION
-	13-2-2019	GS	REFERENCE EDTR151502
A	19-1-2023	TT	CONNECTION BOX + STICKER REPLACED
B	15-3-2023	DK	NEW STICKER E0125602 ADDED, REPLACES 1000.20004



ITEM	QTY	PART NUMBER	DESCRIPTION	Dimensions
5	2	E0125602	STICKER GOUDSMIT W230 H35	
4	2	1000.20055	STICKER ARTICLES FORBID D50	
3	2	1000.20056	STICK. PACEMAKER FORB. D=50	
2	1	P190179	HDTU-STICKER DEMAG. TUNNEL	
1	1	E0110471	HDTU-DEMAG. ASSEMBLY EDTR151503	

RAW MAT.	Quantity	Material Number	Material Description	Length (mm)	Width (mm)
⊕	1				

Sheet: A2	Extra info: Duty cycle: 100%	General tolerance: ISO 2768 - mK
Drawn: GS	Weight (kg): 75	Drawn according: ISO268; ISO1101; ISO2553
Date: 13-2-2019		Status: Standard
Spare part: False	Source: MC-C	Customer reference number:
Quick search: EDTR1515		
Description: HDTU-H-R-0150x0150-230V-B	Document number: EDTR151503	Doc.Rev: B
	Part number: EDTR151503	Rev: B