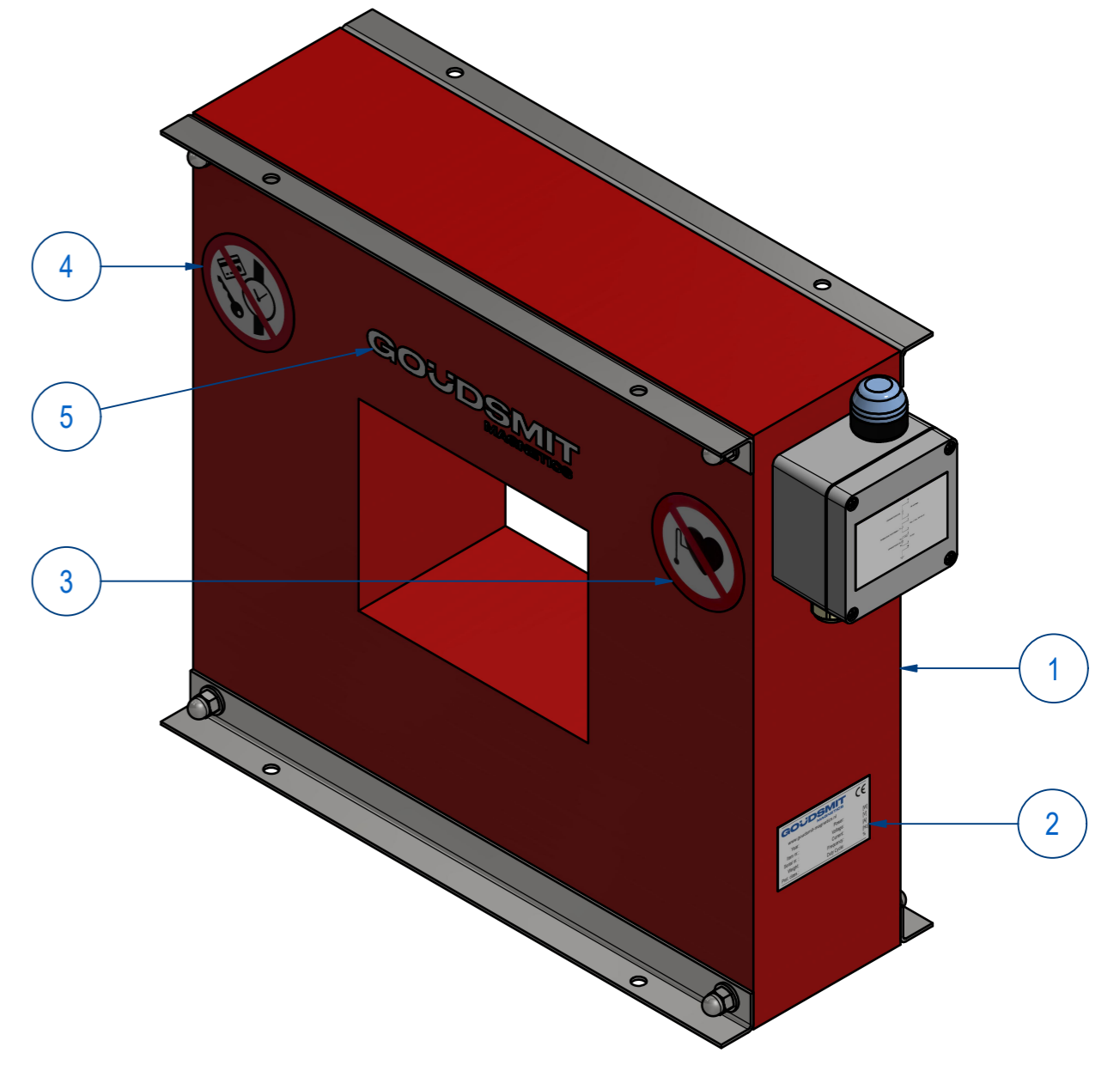
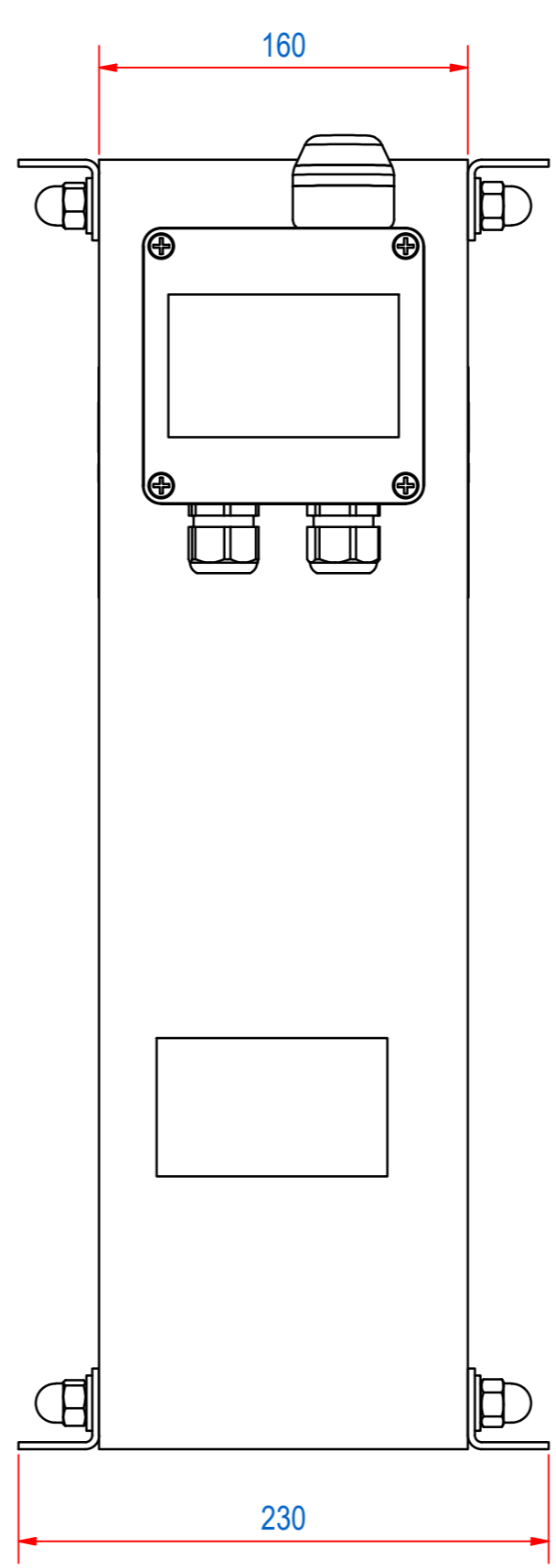
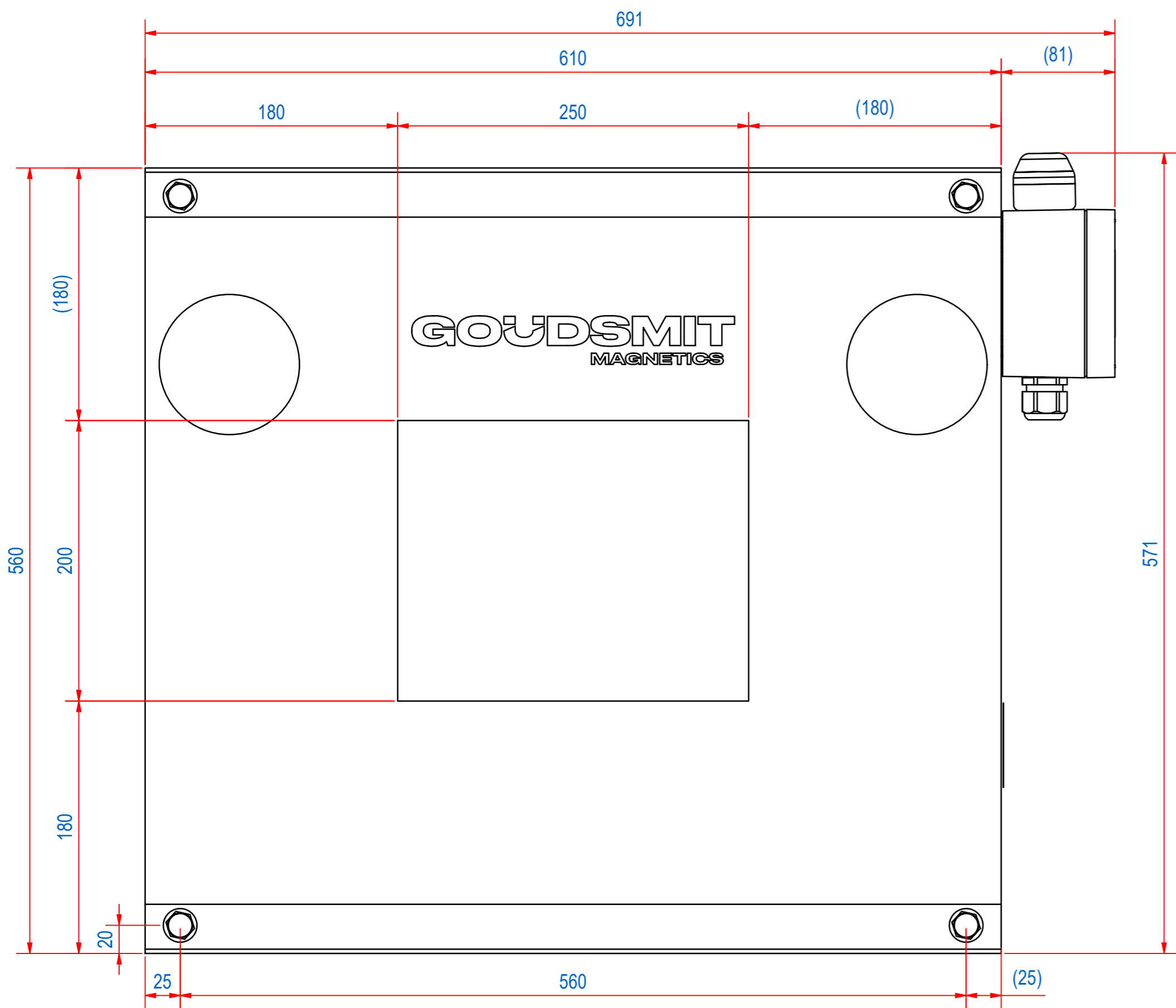
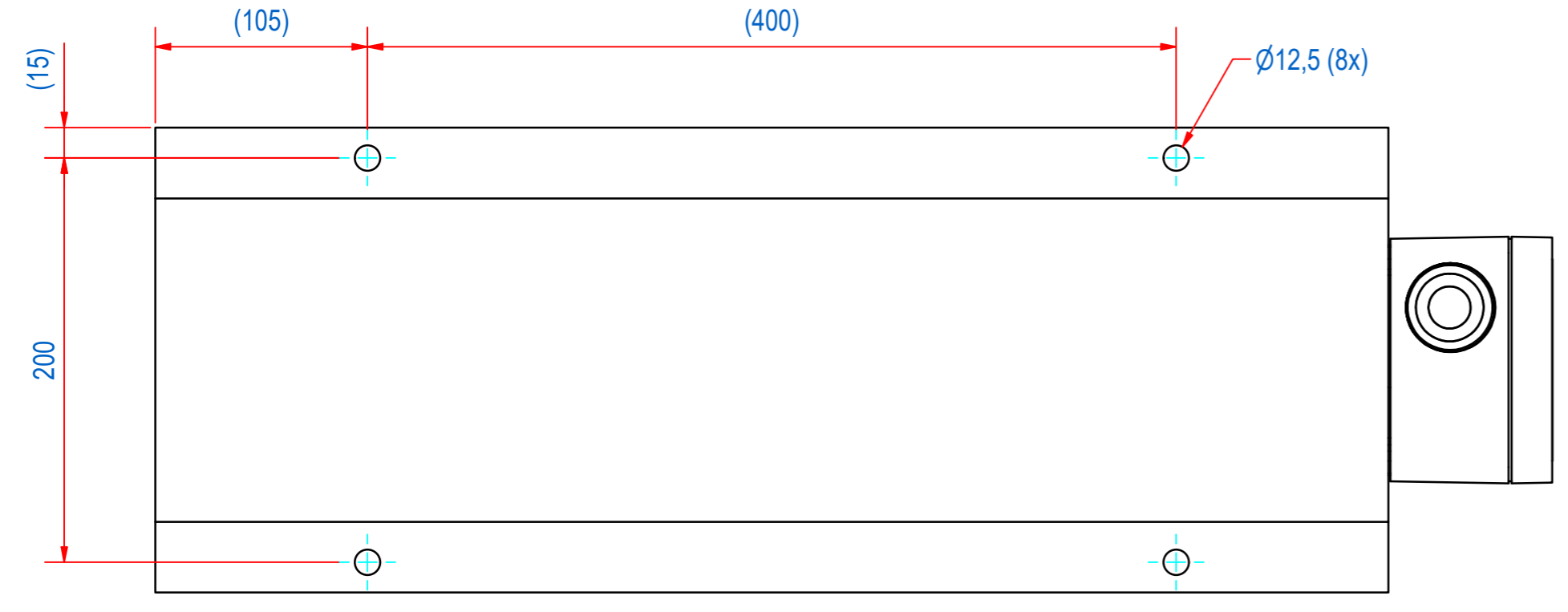


REV	DATE	BY	DESCRIPTION
-	13-2-2019	GS	ORIGINAL DRAWING; REF E0070239
A	19-1-2023	TT	CONNECTION BOX REPLACED
B	15-3-2023	DK	NEW STICKER ADDED TO BOM E0125602 (WAS 1000.20002)



ITEM	QTY	PART NUMBER	DESCRIPTION	Dimensions
5	2	E0125602	STICKER GOUDSMIT W230 H35	
4	2	1000.20048	STICKER ARTICLES FORBID D100	
3	2	1000.20043	STICKER PACEMAKER FORB. D=100	
2	1	P190179	HDTU-STICKER DEMAG. TUNNEL	
1	1	E0110563	HDTU-DEMAG. ASSEMBLY EDTR252006	

RAW MAT.	Quantity	Material Number	Material Description	Length (mm)	Width (mm)
⊕	1				

Sheet: A2 Drawn: GS Date: 13-2-2019 Spare part: False Quick search: EDTR2520	Extra info: DEMAG TUNNEL 5208VA DUTY CYCLE: 100% GOUDSMIT MAGNETICS <small>© All rights reserved. Reproduction is not permitted without written permission of GOUDSMIT Magnetic Systems BV</small>	General tolerance: ISO 2768 - mK Drawn according: ISO268; ISO1101; ISO2553 Status: Standard Customer reference number: Document number: EDTR252006 Doc.Rev: B Part number: EDTR252006 Rev: B
---	---	--

HDTU-H-R-0250x0200-400V-B