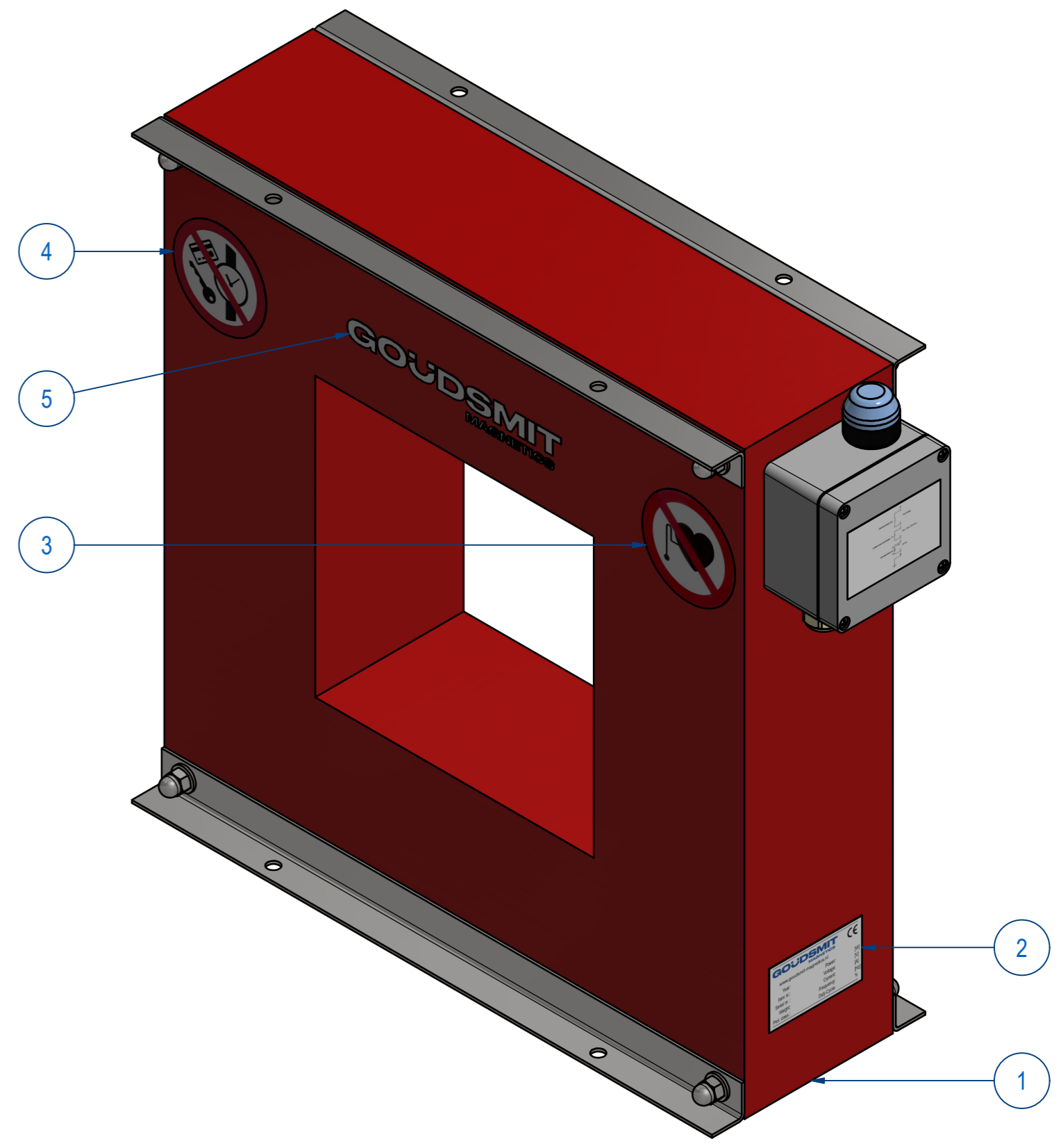
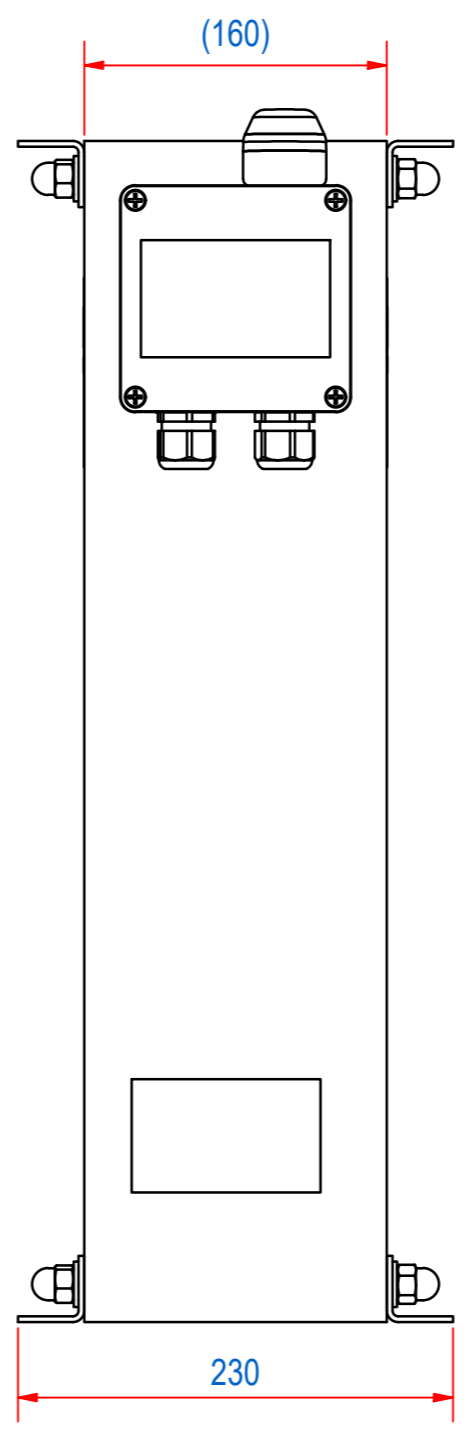
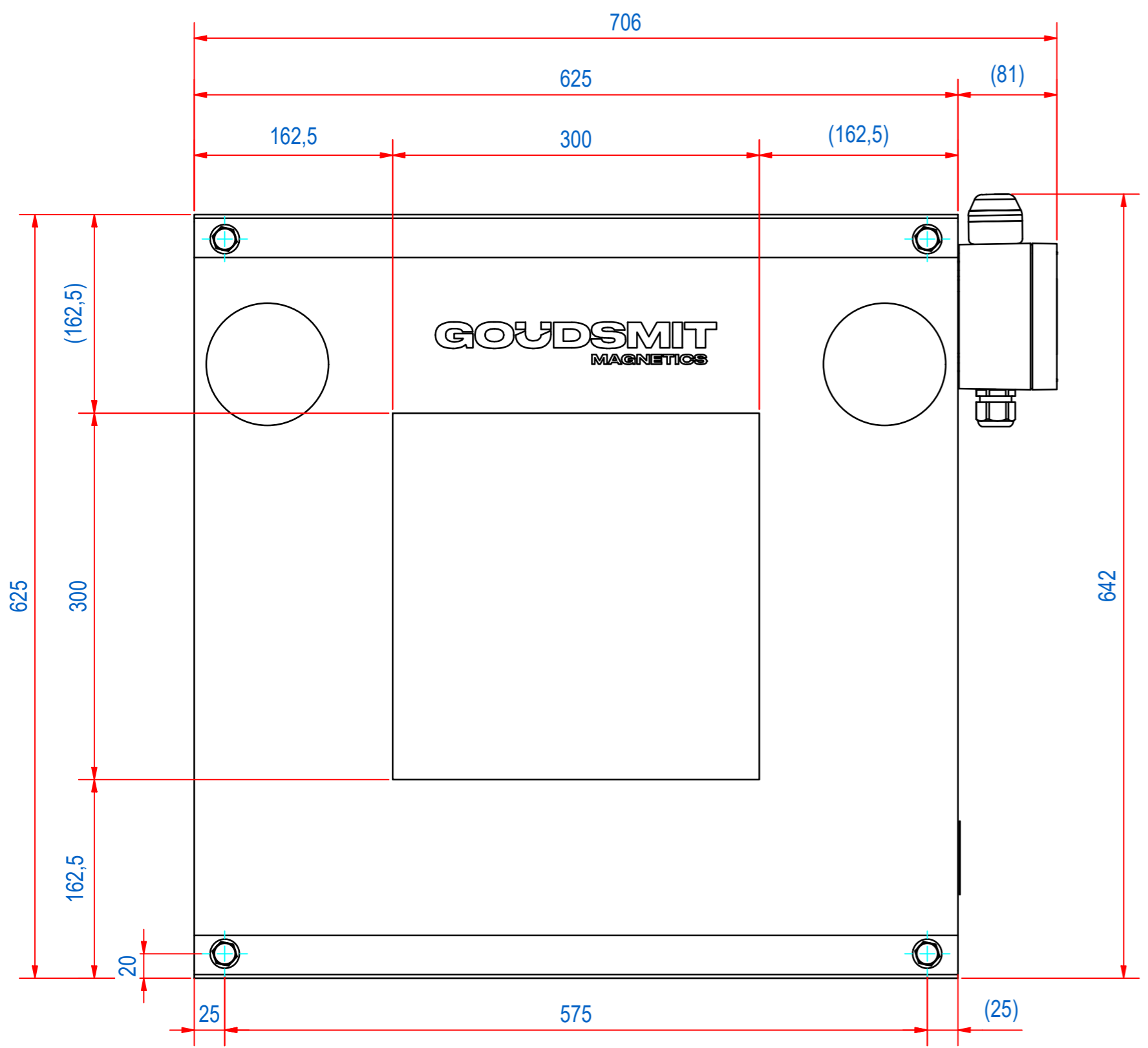
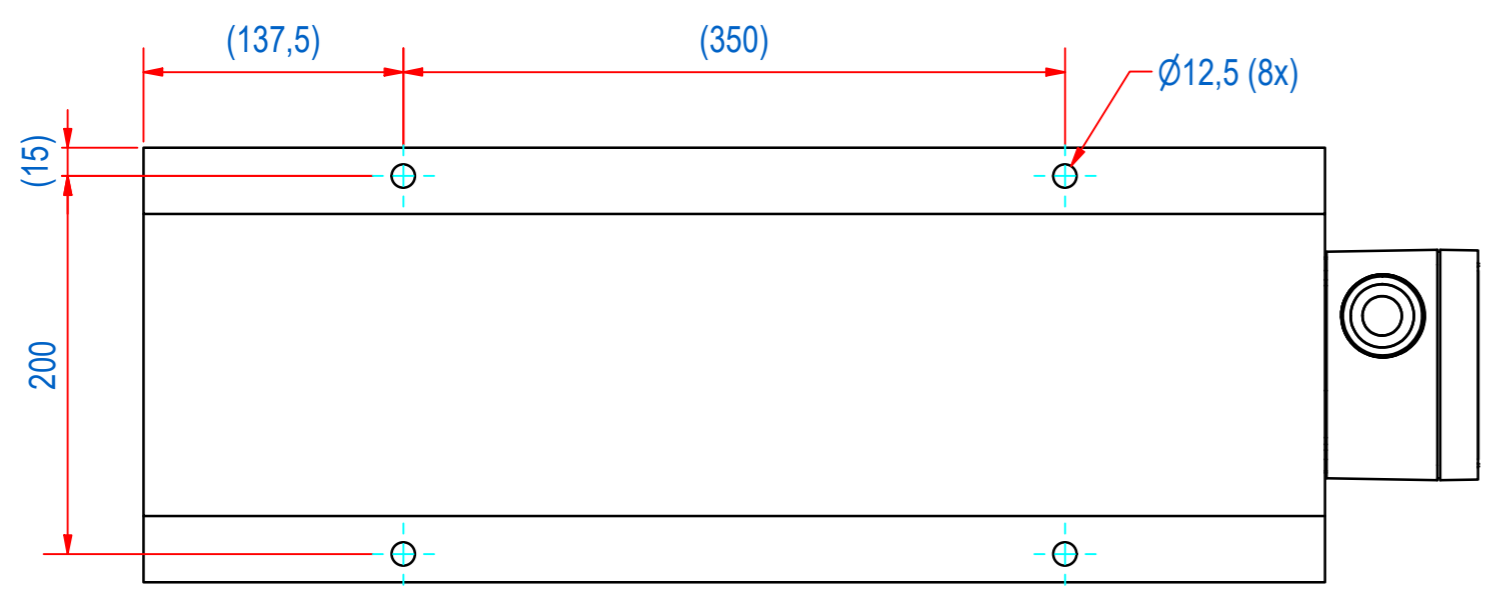


REV	DATE	BY	DESCRIPTION
-	18-2-2019	GS	REFERENCE MODEL E0094327
A	19-1-2023	TT	CONNECTION BOX REPLACED
B	15-3-2023	DK	STICKER 1000.2002 REPLACED BY E0125602



ITEM	QTY	PART NUMBER	DESCRIPTION	Dimensions
5	2	E0125602	STICKER GOUDSMIT W230 H35	
4	2	1000.20048	STICKER ARTICLES FORBID D100	
3	2	1000.20043	STICKER PACEMAKER FORB. D=100	
2	1	P190179	HDTU-STICKER DEMAG. TUNNEL	
1	1	E0110600	HDTU-DEMAG. ASSEMBLY EDTR303003	

RAW MAT.	Quantity	Material Number	Material Description	Length (mm)	Width (mm)
⊕	1				

Sheet: A2	Extra info: DEMAG TUNNEL 5168VA	General tolerance: ISO 2768 - mK
Drawn: GS	Weight (kg): 150	Drawn according: ISO268; ISO1101; ISO2553
Date: 14-2-2019	Source: MC-C	Status: Standard
Spare part: False	Quick search: EDTR3030	Customer reference number:
Description: HDTU-H-R-0300x0300-400V-B		Document number: EDTR303003
		Doc.Rev: B
		Part number: EDTR303003
		Rev: B