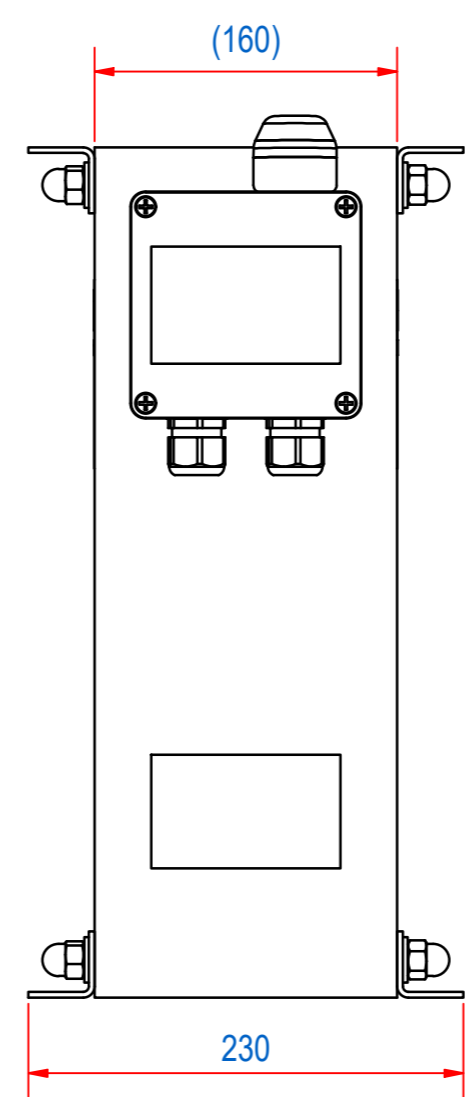
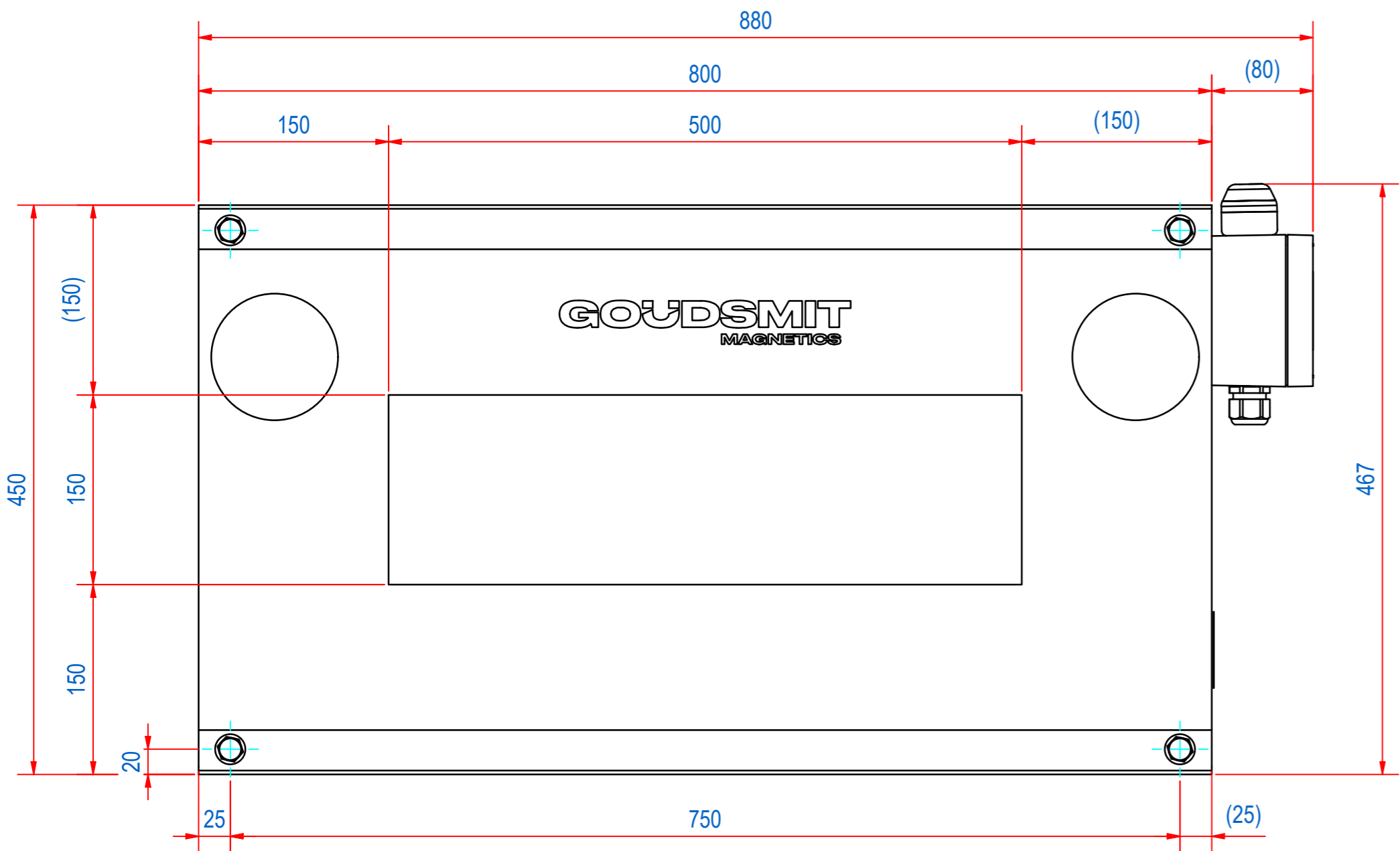
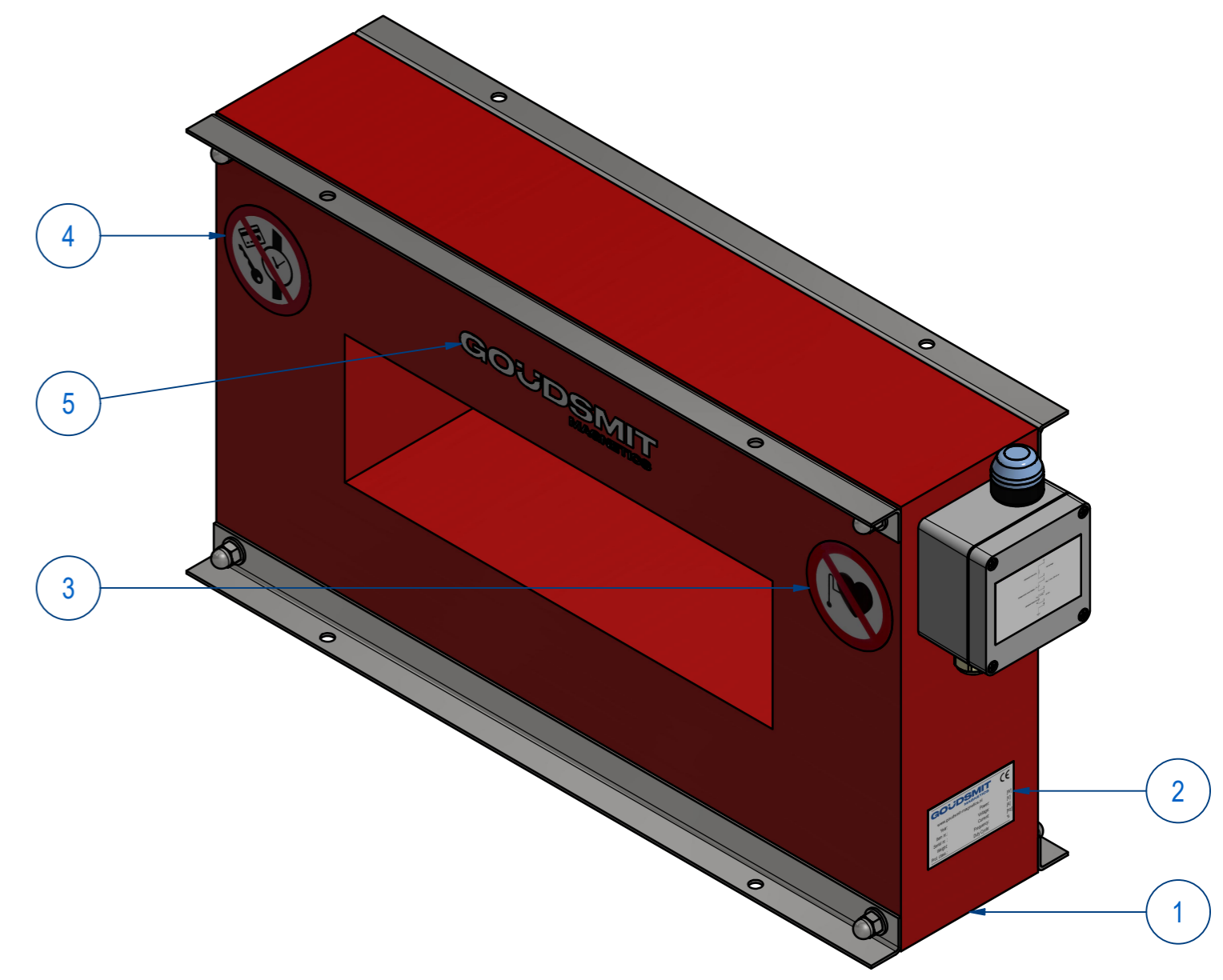
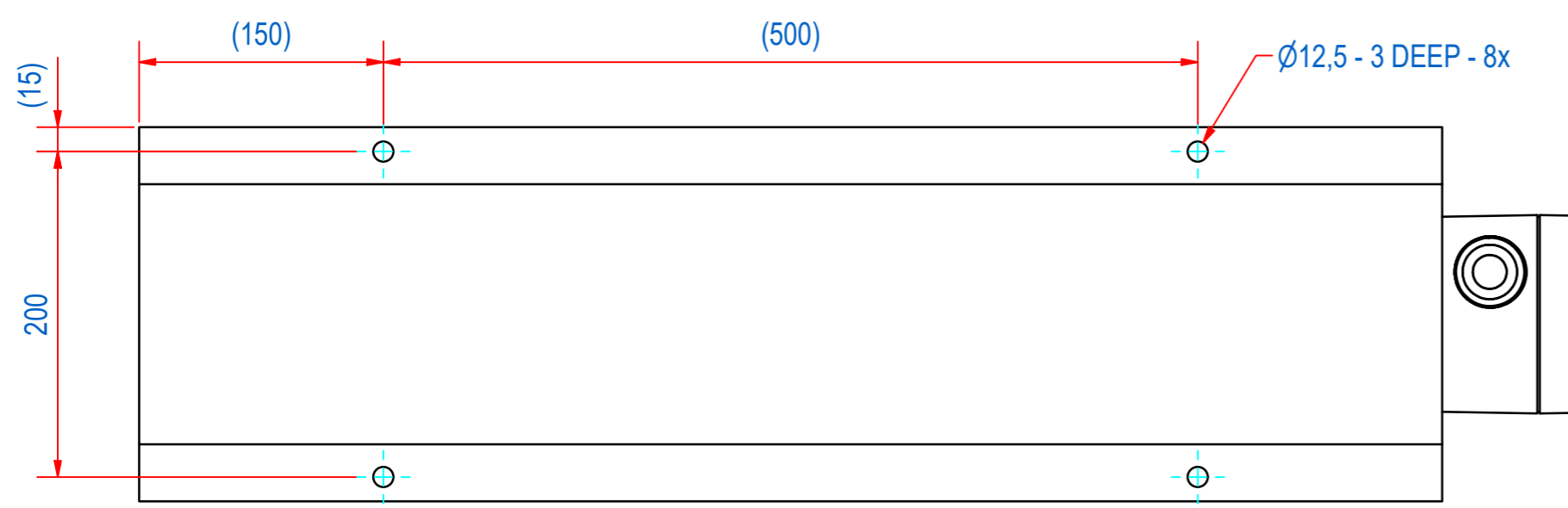


REV	DATE	BY	DESCRIPTION
A	19-1-2023	TT	CONNECTION BOX REPLACED
B	23-1-2023	TT	VIEW CORRECTED
C	15-3-2023	DK	STICKER 1000.20002 REPLACES BY E0125602



ITEM	QTY	PART NUMBER	DESCRIPTION	Dimensions
5	2	E0125602	STICKER GOUDSMIT W230 H35	
4	2	1000.20048	STICKER ARTICLES FORBID D100	
3	2	1000.20043	STICKER PACEMAKER FORB. D=100	
2	1	P190179	HDTU-STICKER DEMAG. TUNNEL	
1	1	E0110531	HDTU-DEMAG. ASSEMBLY EDTR5015	

RAW MAT.	Quantity: 1	Material Number:	Material Description:	Length (mm):	Width (mm):
Sheet:	A2	Extra info:	DEMAC TUNNEL 4268VA DUTY CYCLE: 100%	General tolerance: ISO 2768 - mK	
Drawn:	GS	Weight (kg):	135	Drawn according: ISO268; ISO1101; ISO2553	
Date:	13-2-2019	Status:	Standard	Customer reference number:	
Spare part:	False	Source:	MC-C	Document number:	EDTR501505
Quick search:	EDTR5015	Doc.Rev:	C	Part number:	EDTR501505
Description:	HDTU-H-R-0500x0150-230V-B			Rev:	C



© All rights reserved. Reproduction is not permitted without written permission of GOUDSMIT Magnetic Systems BV