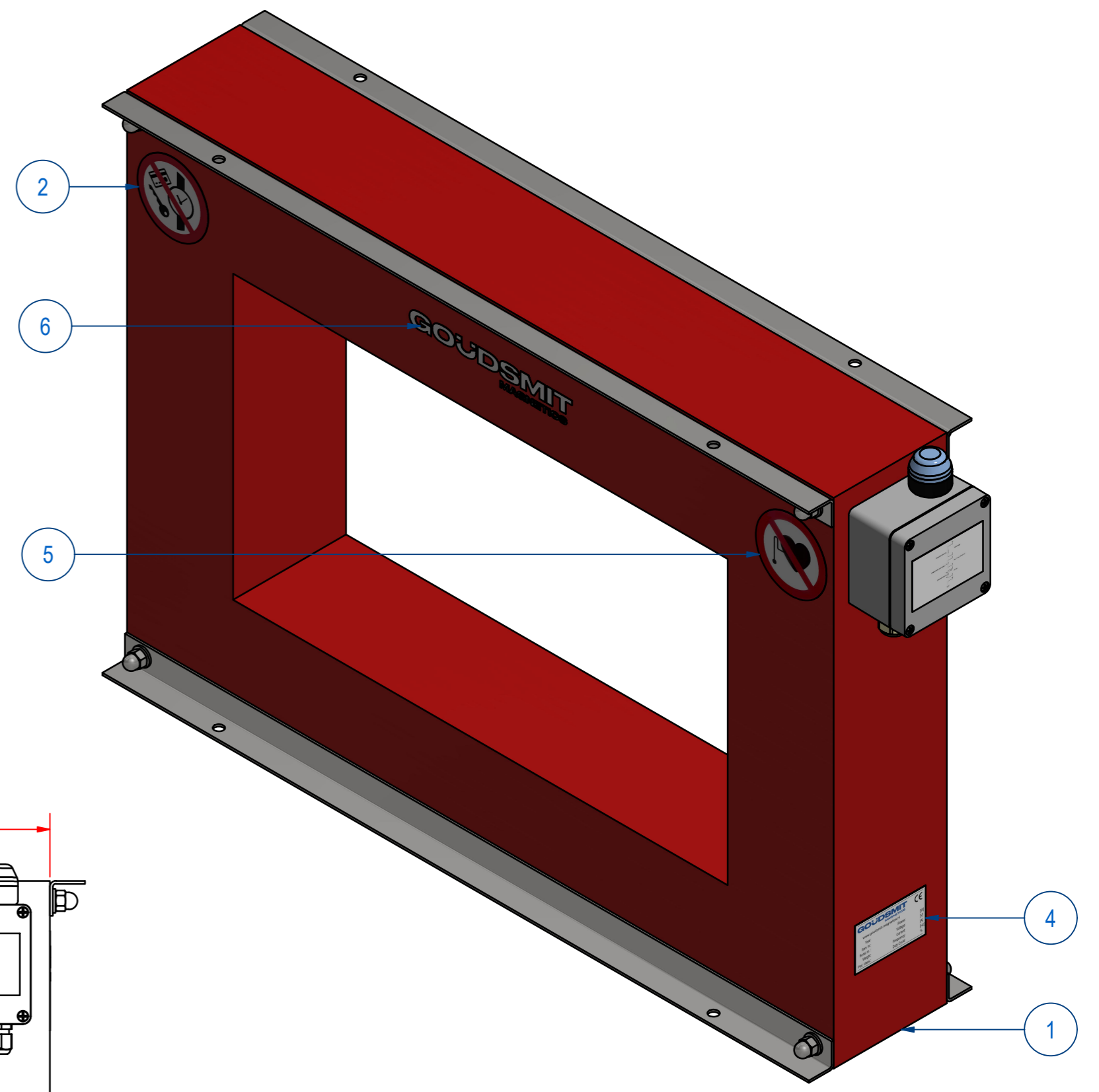
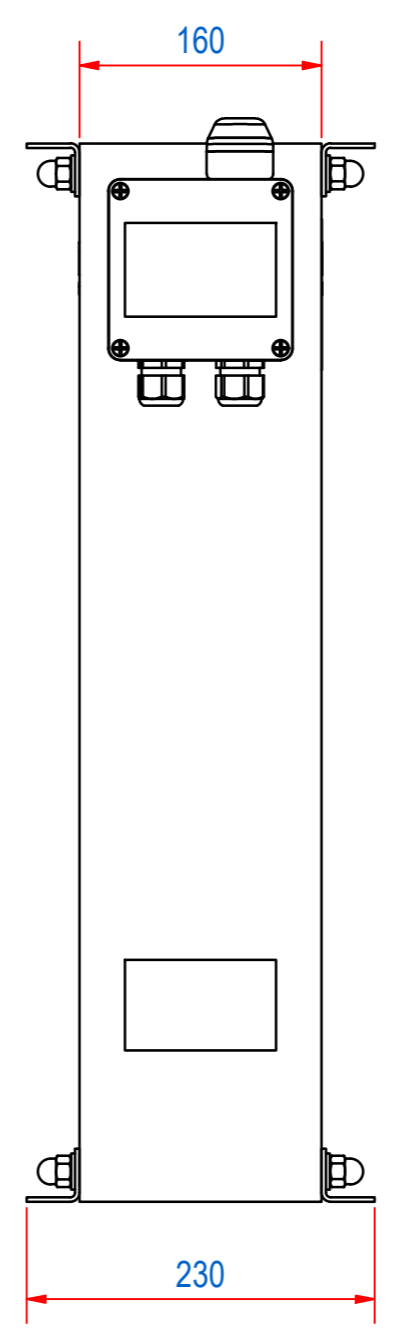
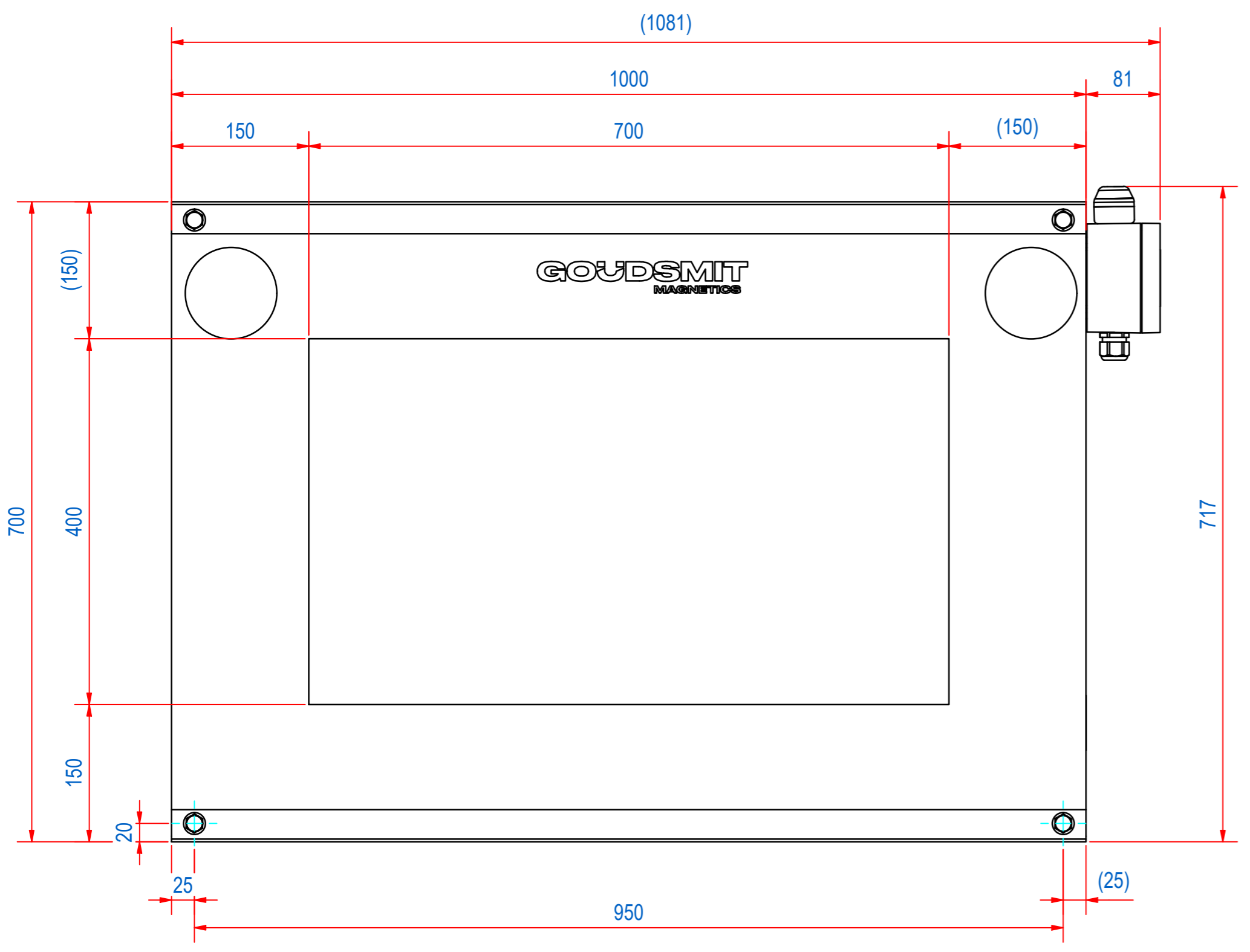
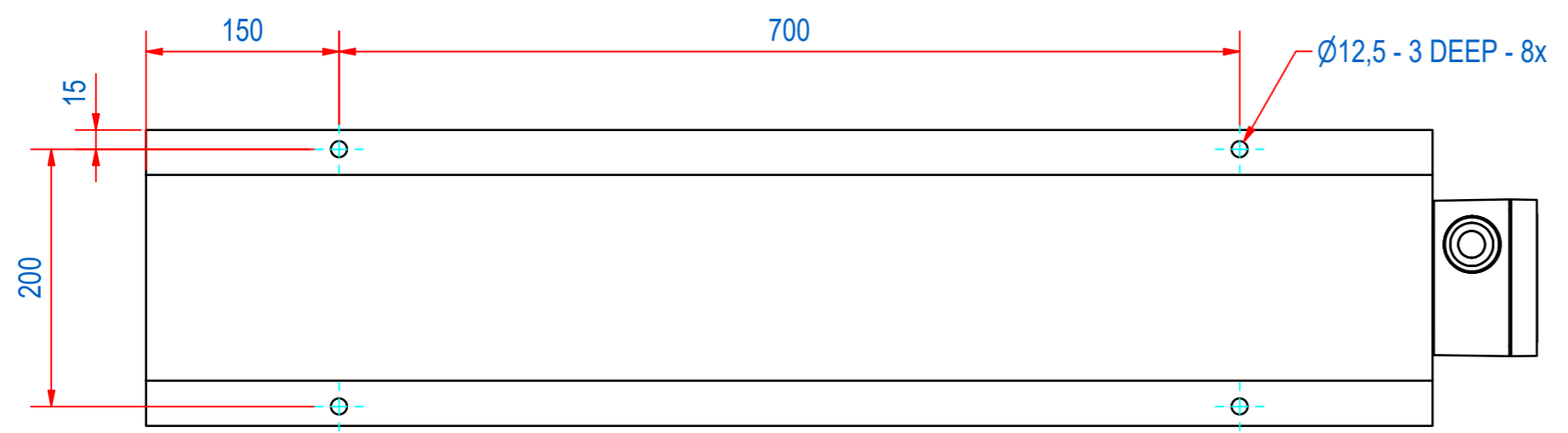


DOC.NR.	REV	DATE	BY	DESCRIPTION
EDTR704002	-	15-2-2019	GS	REFERENCE MODEL E0089756
EDTR704002	A	19-1-2023	TT	CONNECTION BOX REPLACED



ITEM	QTY	PART NUMBER	DESCRIPTION	Dimensions
6	2	E0125602	STICKER GOUDSMIT W230 H35	
5	2	1000.20043	STICKER PACEMAKER FORB. D=100	
4	1	P190179	HDTU-STICKER DEMAG. TUNNEL	
2	2	1000.20048	STICKER ARTICLES FORBID D100	
1	1	E0110666	HDTU-DEMAG. ASSEMBLY EDTR704002	

RAW MAT.	Quantity	Material Number	Material Description	Length (mm)	Width (mm)
⊕	1				

Sheet: A2	Extra info: DUTY CYCLE: 100%	General tolerance: ISO 2768 - mK
Drawn: GS	Weight (kg): 190	Drawn according: ISO268; ISO1101; ISO2553
Date: 15-2-2019		Status: Standard
Spare part: False	Source: MC-C	Customer reference number:
Quick search: EDTR4070		
<small>© All rights reserved. Reproduction is not permitted without written permission of GOUDSMIT Magnetic Systems BV</small>		
Description: HDTU-H-R-0700x0400-400V-B	Document number: EDTR704002	Doc.Rev: A
	Part number: EDTR704002	Rev: A