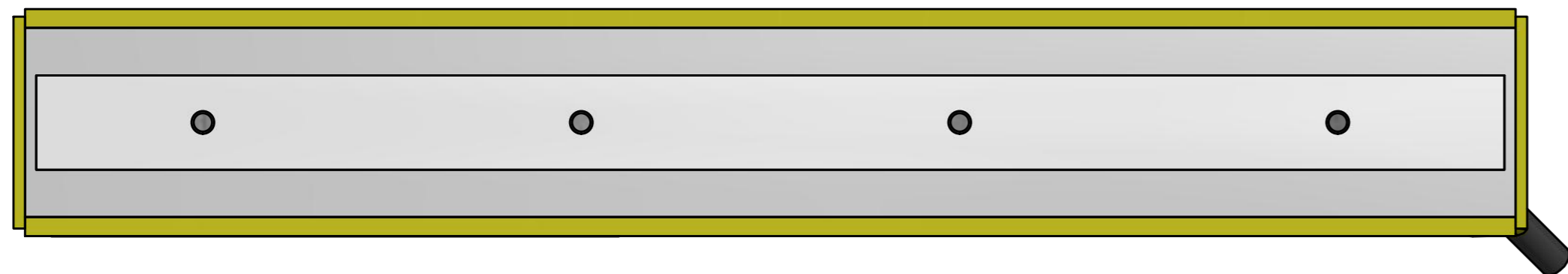
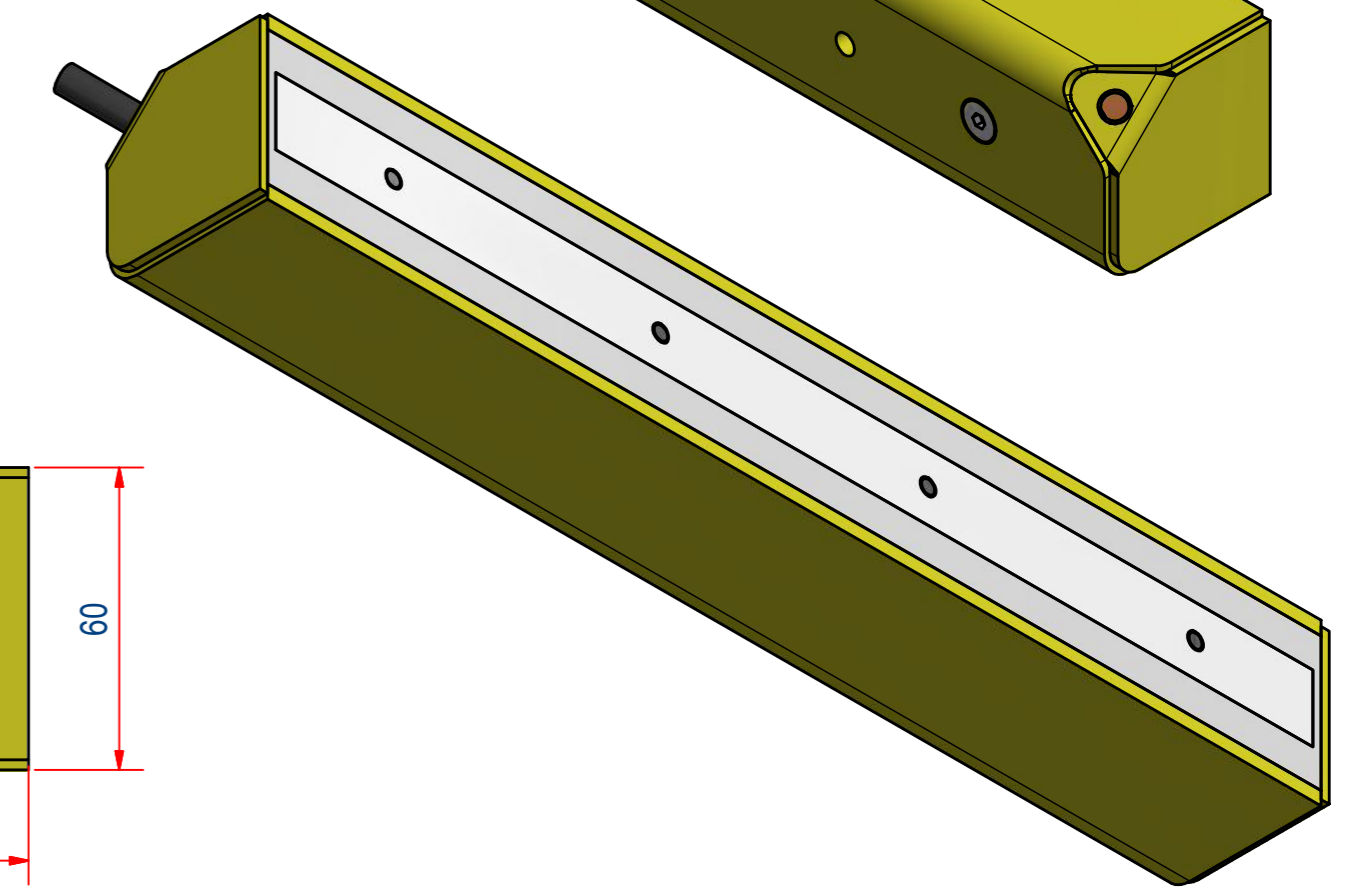
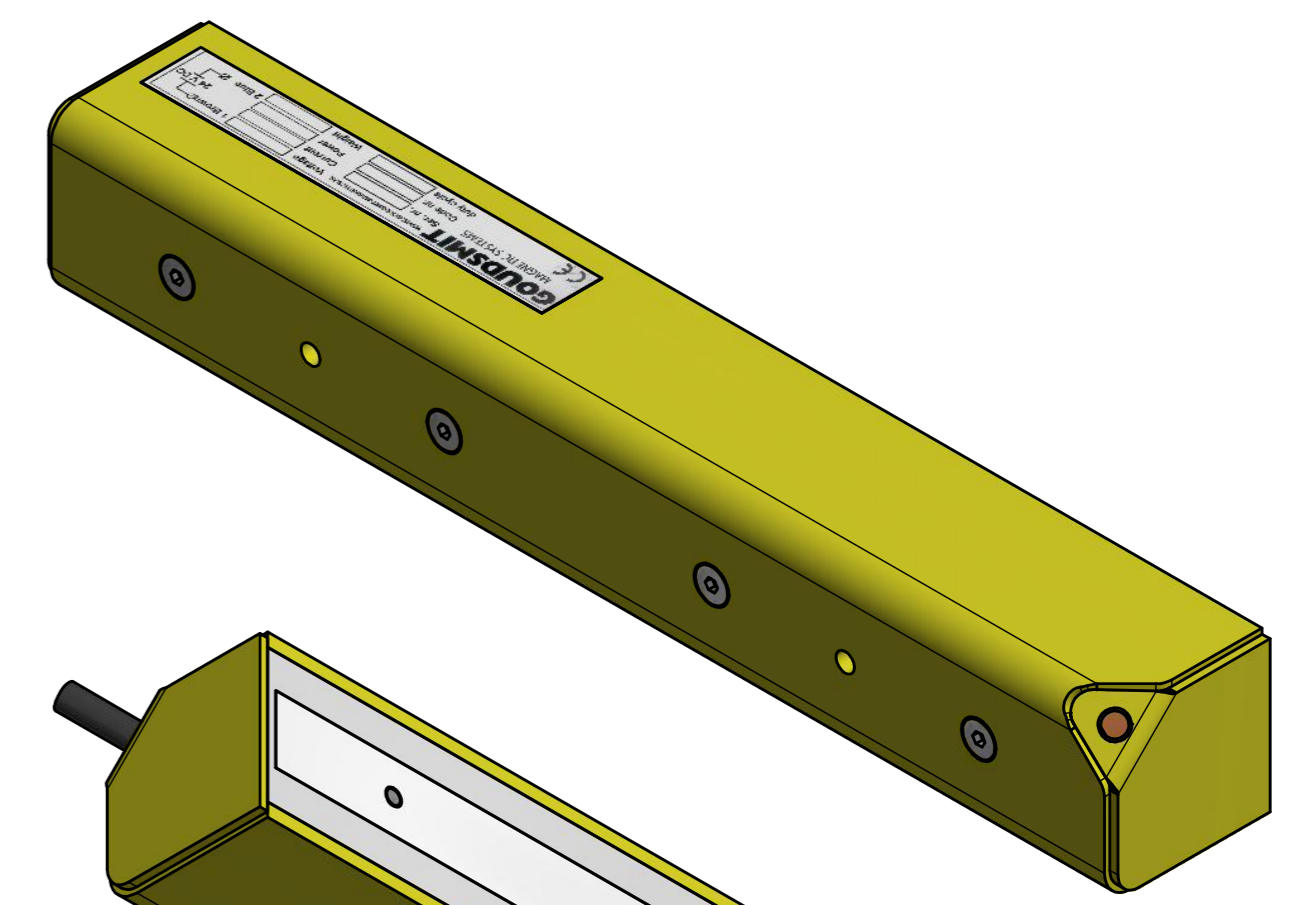
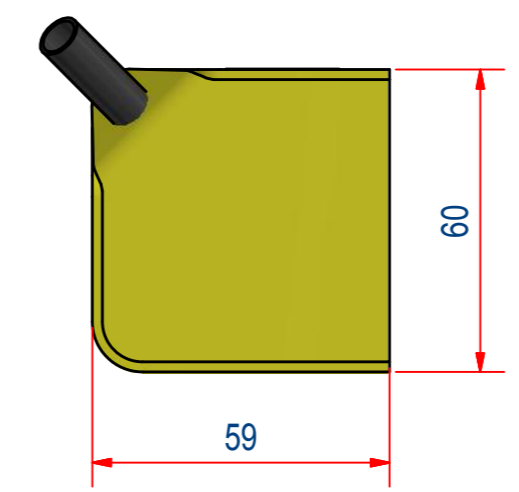
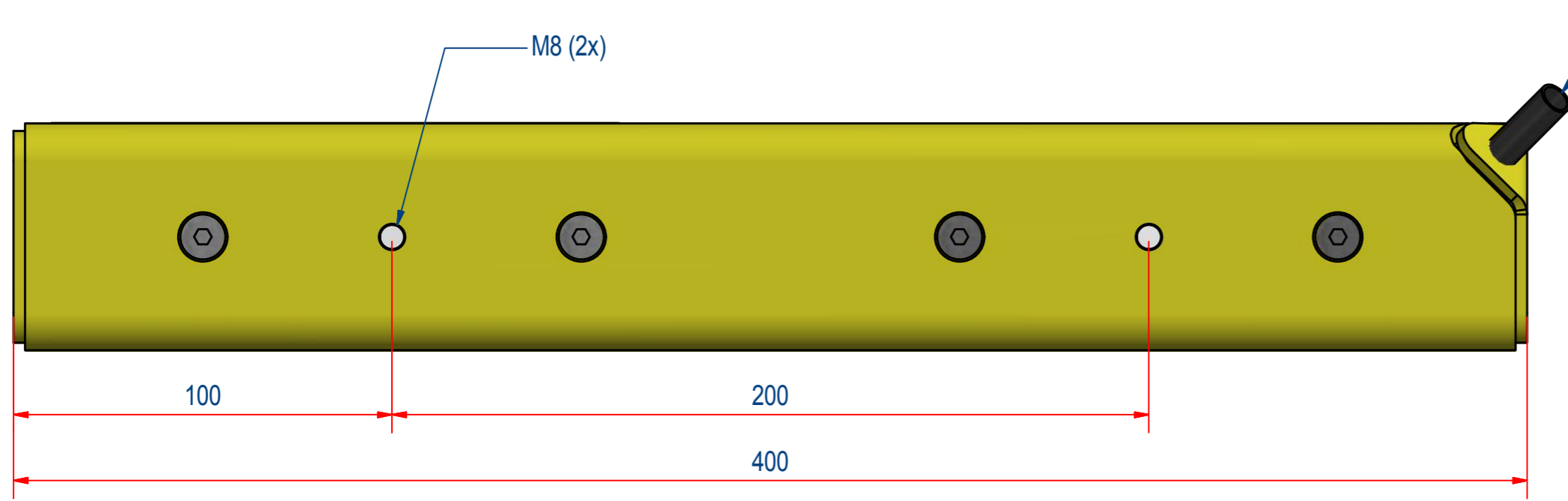


REV	DATE	BY	DESCRIPTION
-	6-3-2014	BS	NEW VAULT, NOTHING CHANGED, IS EQUAL TO OLD REVISION C



ITEM	QTY	PART NUMBER	DESCRIPTION	Dimensions
2	1	M59957	STICKER ELECTRO ROD	
1	1	A230115	MACHINING ASSY EHKAA04000	

RAW MAT.	QTY	MAT. NUMBER	MAT. DESCRIPTION	LENGTH (mm)	WIDTH (mm)
1	1				

Sheet: <b>A2</b>	Extra info: <i>Duty cycle 50% Max</i>	General tolerance: <b>ISO 2768- mK</b>
Drawn: <b>AB</b>	Weight (kg): <b>10,2</b>	Drawn according: <b>ISO268; ISO1101; ISO2553</b>
Date: <b>28-10-2009</b>		Status: <b>Standard</b>
Spare part: <b>False</b>		Customer reference number:
Quick search: <b>EHKAA0400</b>	© All rights reserved. Reproduction is not permitted without written permission of GOUDSMIT Magnetic Systems BV	File number: <b>EHKAA04000</b>
Description: <b>HEB-060x60-0400-GC</b>		Part number: <b>EHKAA04000</b>