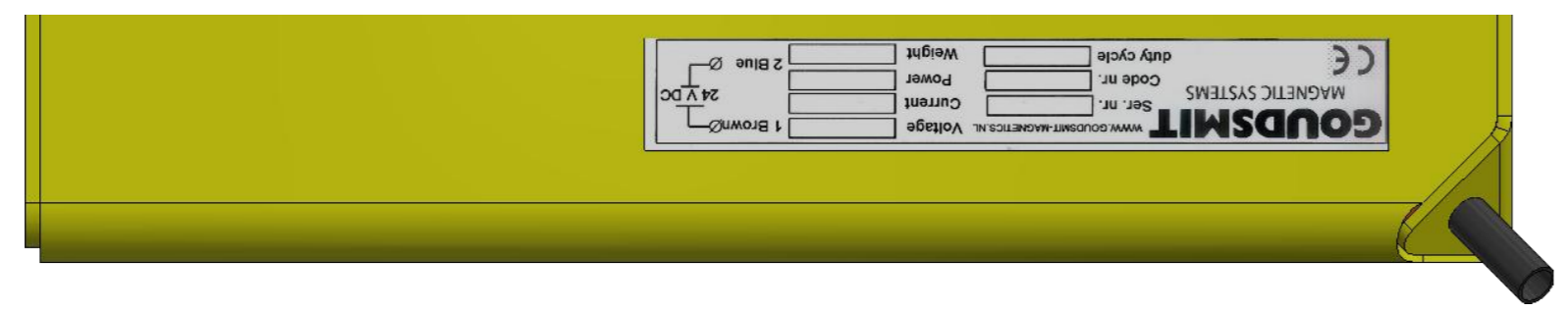
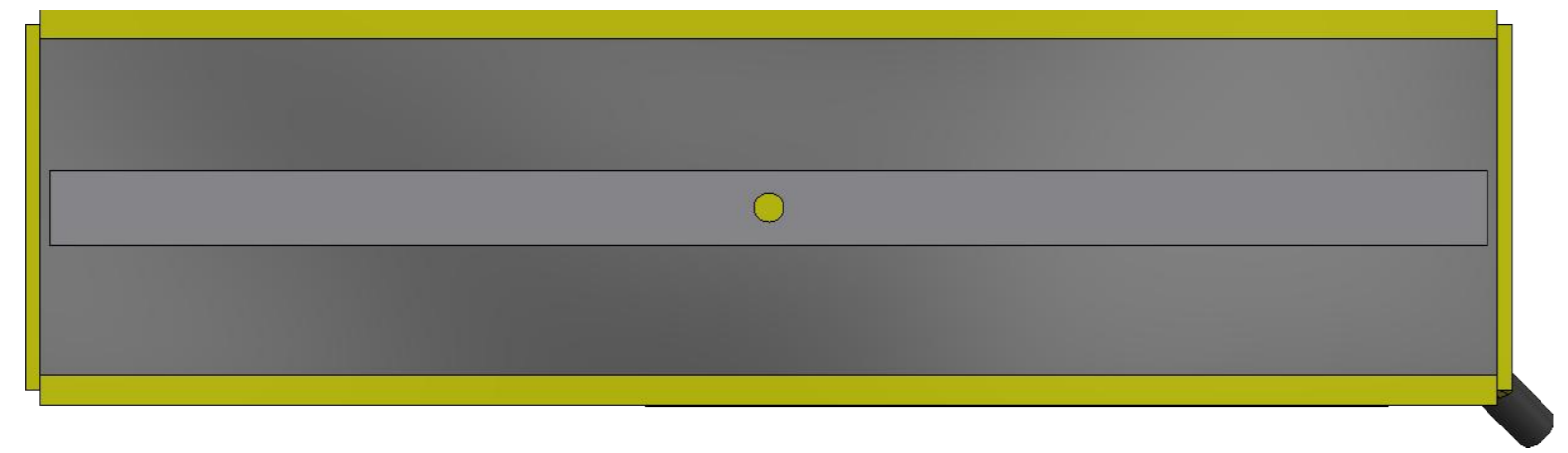
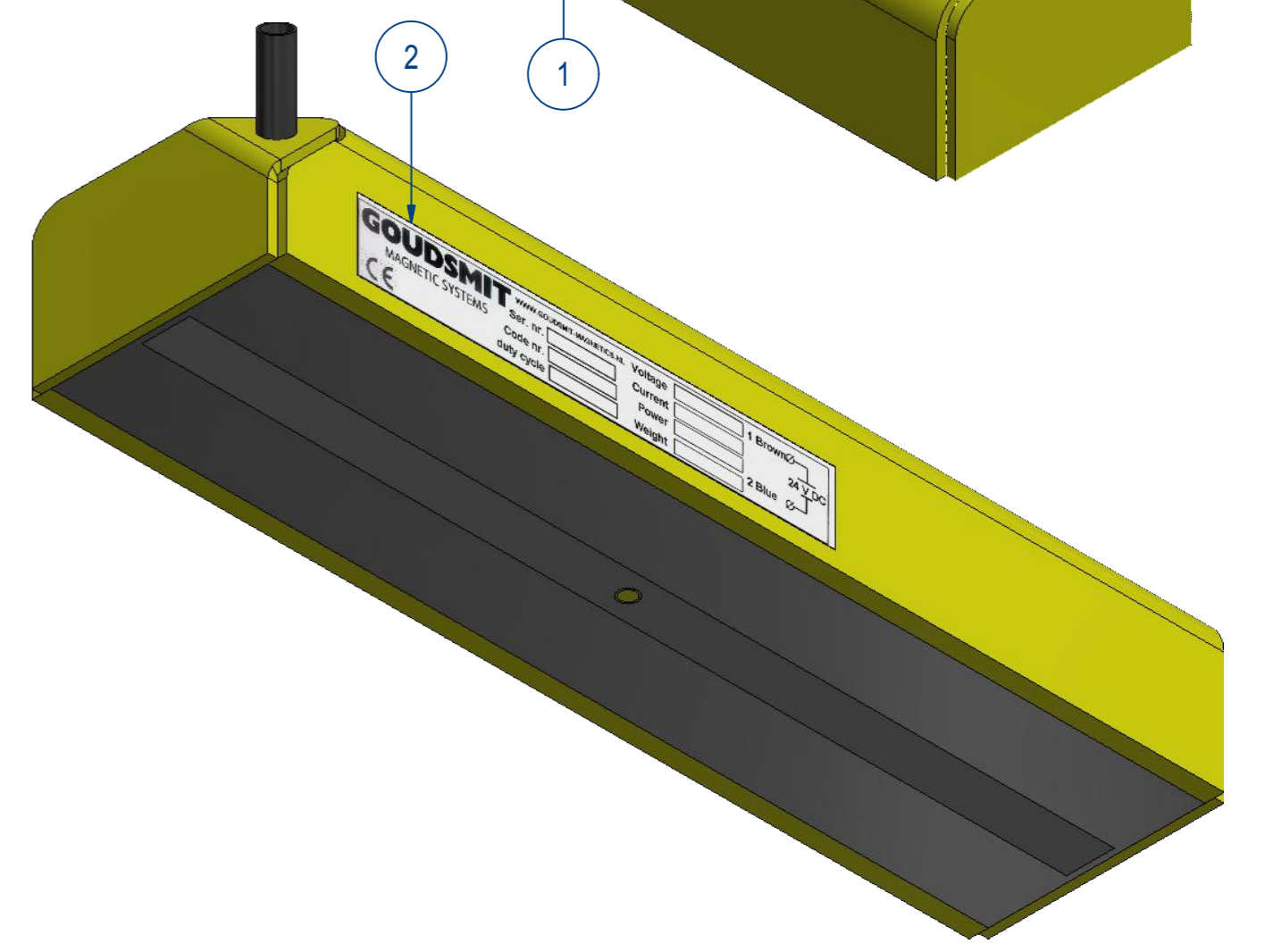
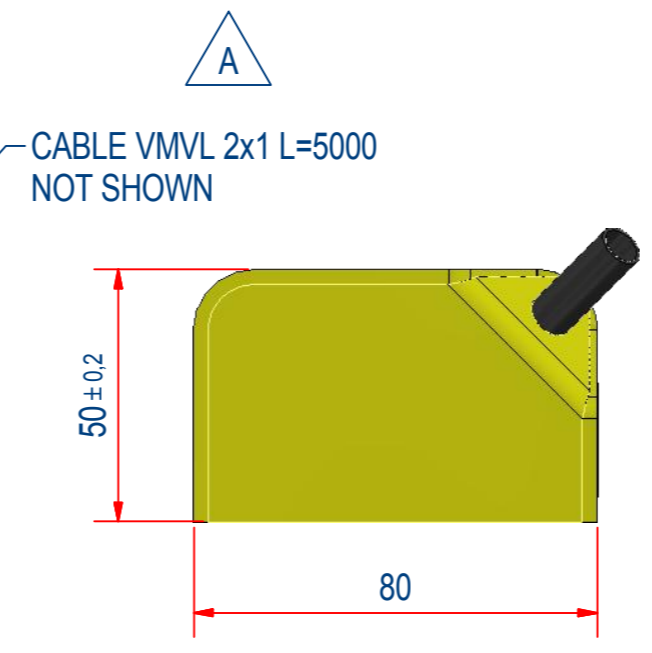
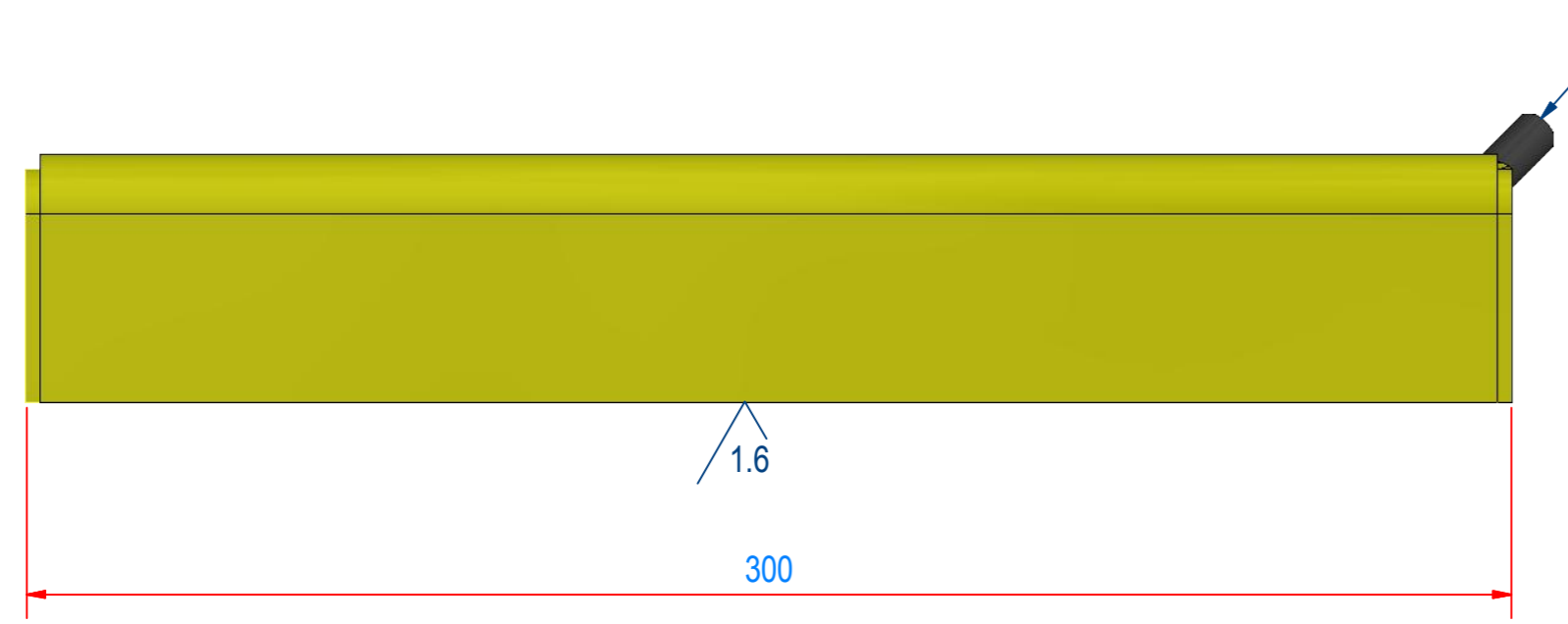
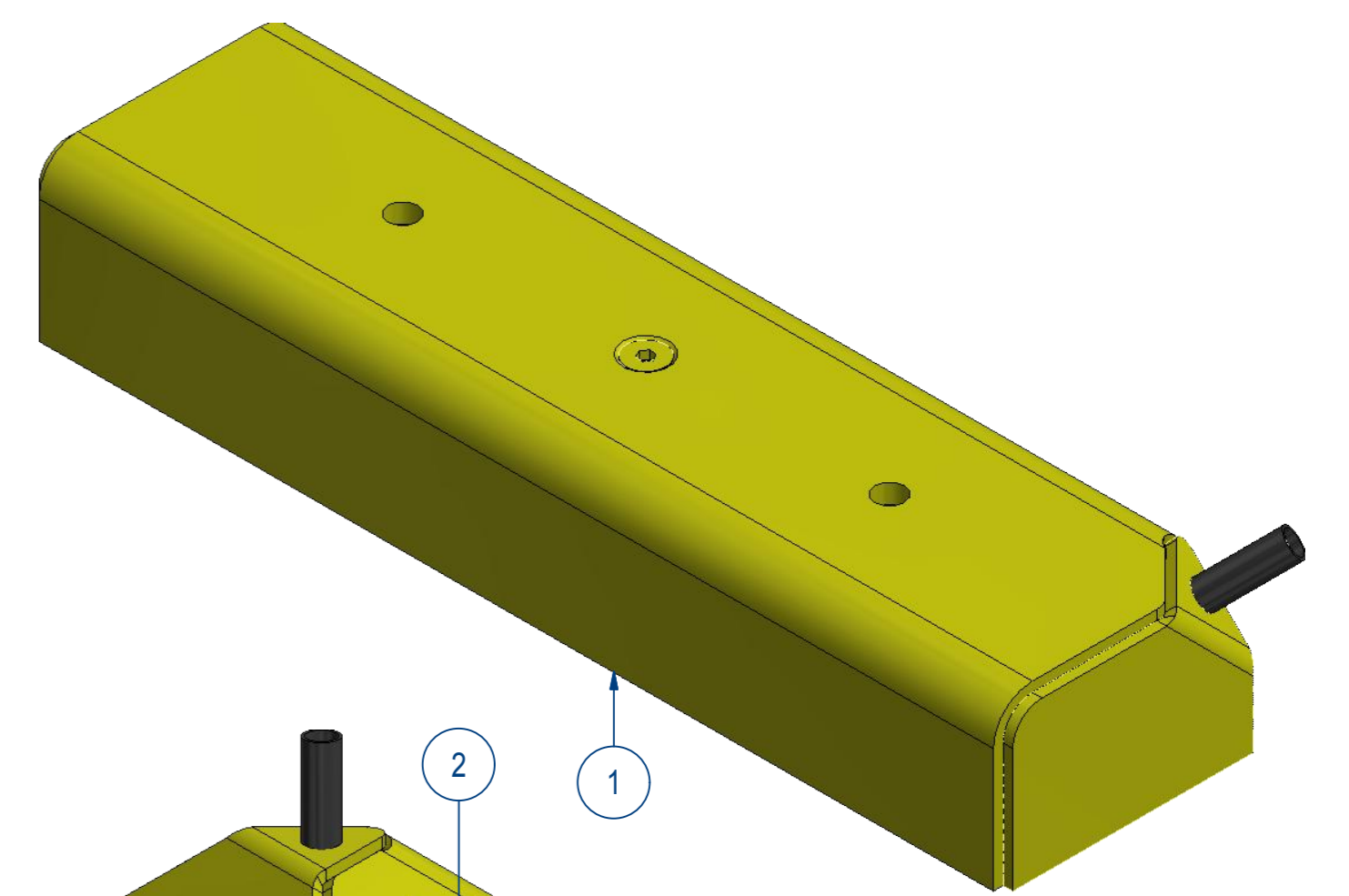
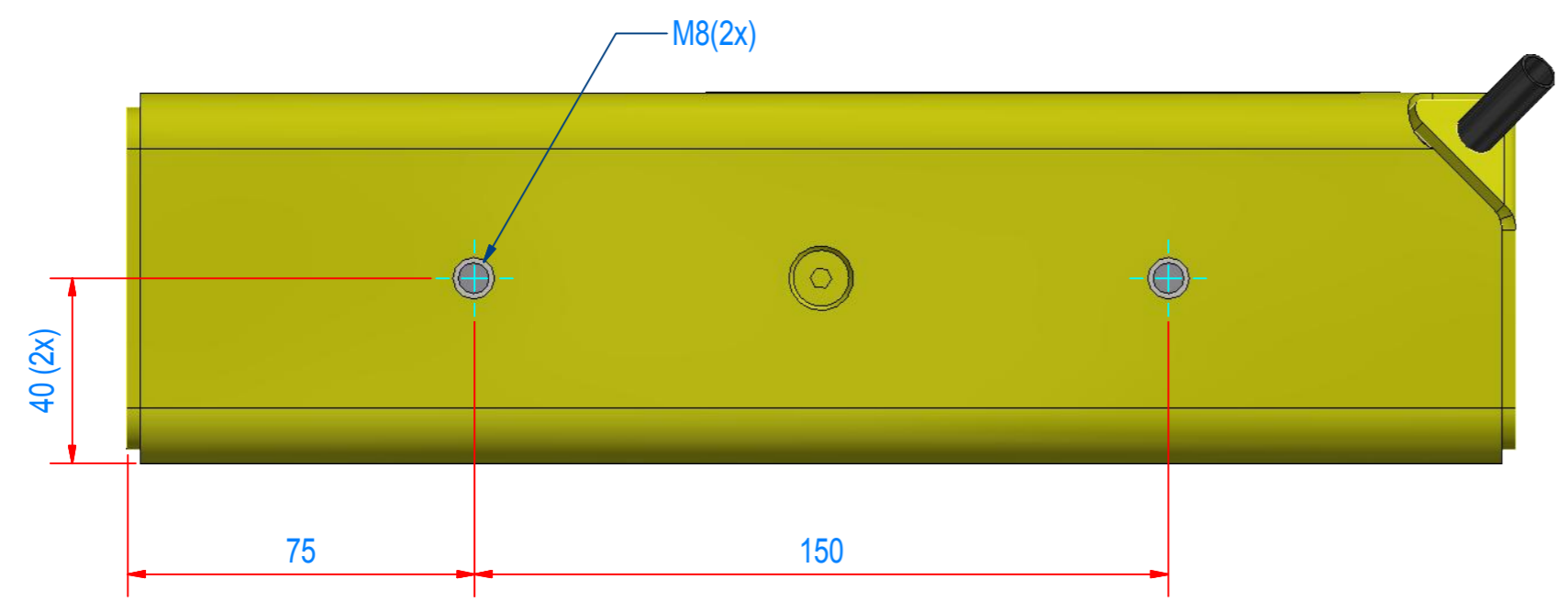


REV	DATE	BY	DESCRIPTION
-	3-3-2014	BS	NEW VAULT, NOTHING CHANGED, IS EQUAL TO OLD REVISION B
A	4-7-2017	PV	CABLE CHANGED (VMVL2x1 WAS 3x1)



ITEM	QTY	PART NUMBER	DESCRIPTION	Dimensions
2	1	M59957	STICKER ELECTRO ROD	
1	1	M69656	ASSEMBLY ELECTRO ROD B, L=300	
RAW MAT.	1			LENGTH (mm) WIDTH (mm)
Sheet: A2		Extra info: duty cycle: 50%, max 24V, 52W, 2.16A		General tolerance: ISO 2768- mK
Drawn: PB		Weight (kg): 7,6		Drawn according: ISO268; ISO1101; ISO2553
Date: 27-11-2007				Status: Standard
Spare part: False				Customer reference number:
Quick search: EHKAO300		© All rights reserved. Reproduction is not permitted without written permission of Goudsmit Magnetic Systems BV		File number: E0078459 Rev: A
Description: HEB-080x50-0300-GC		Part number: EHKAB03000		Rev: -