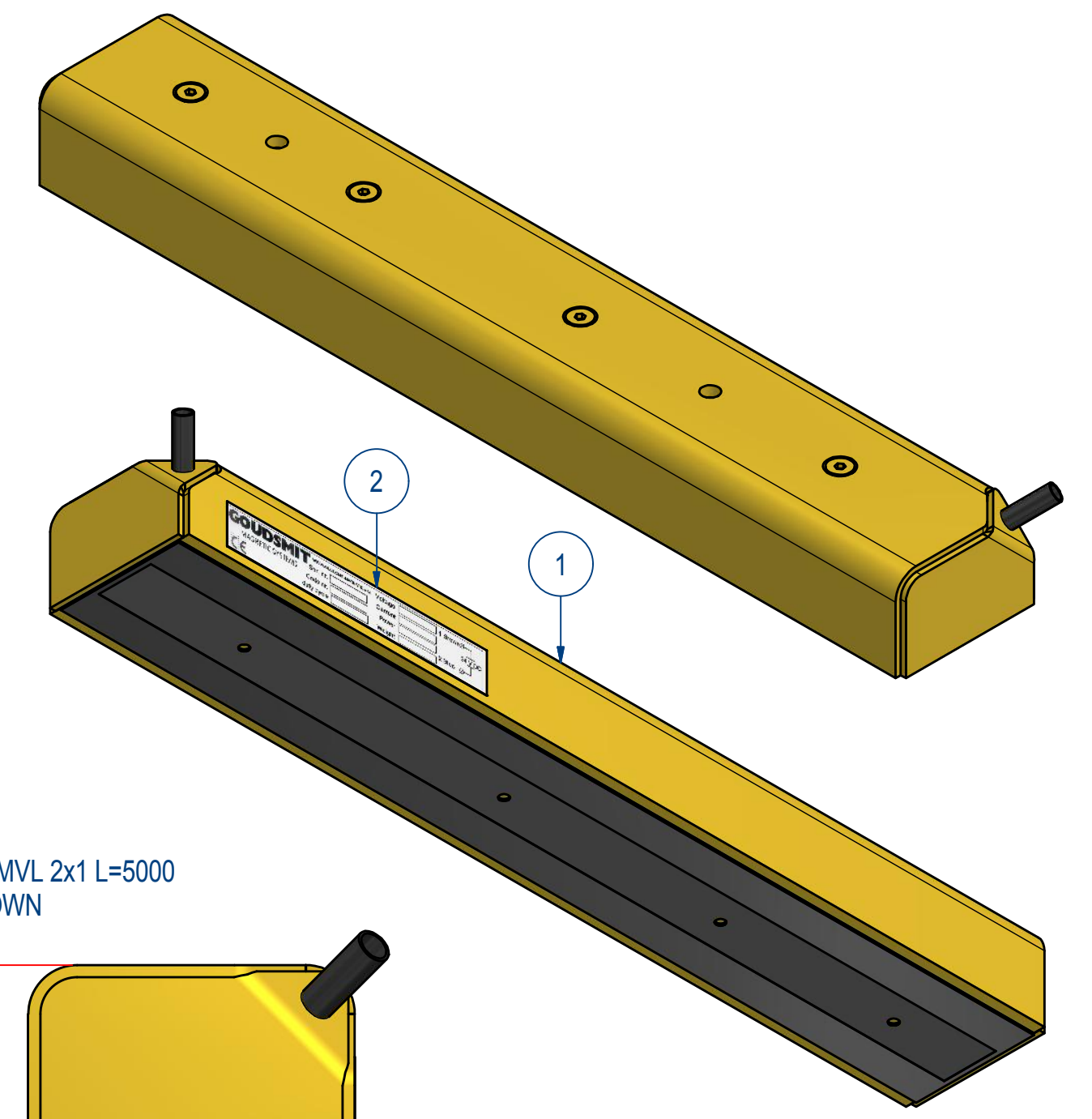
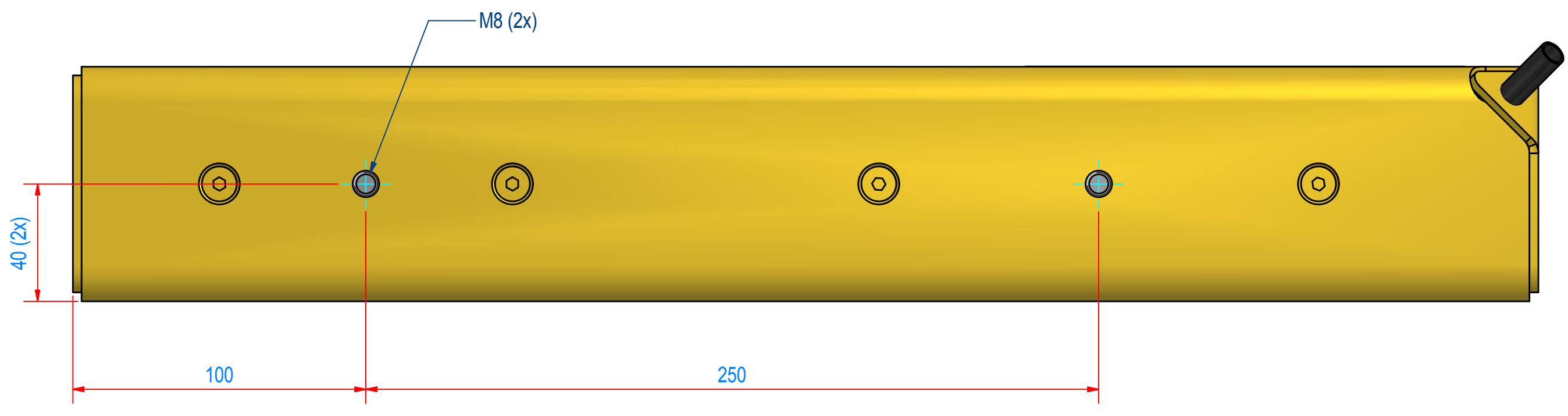
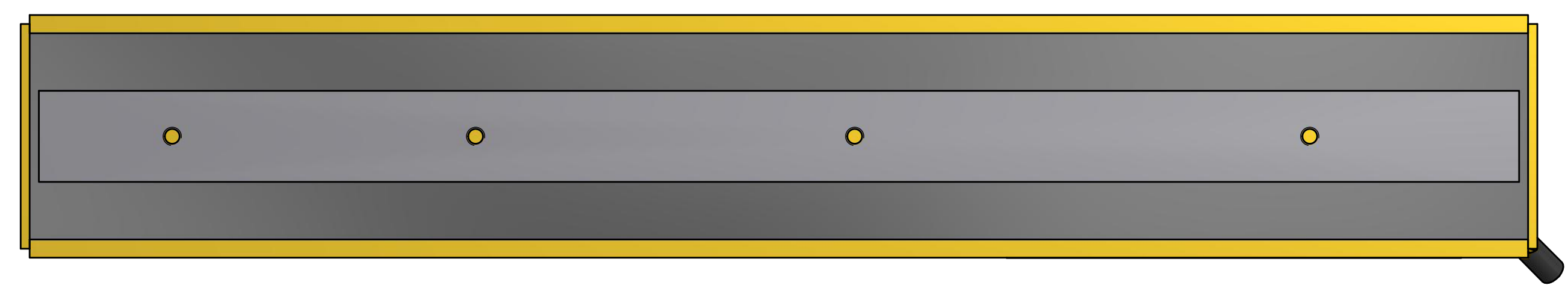
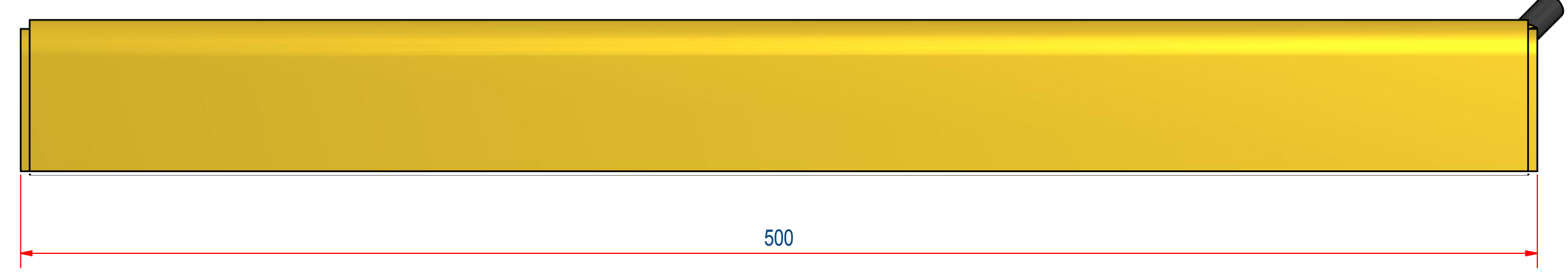
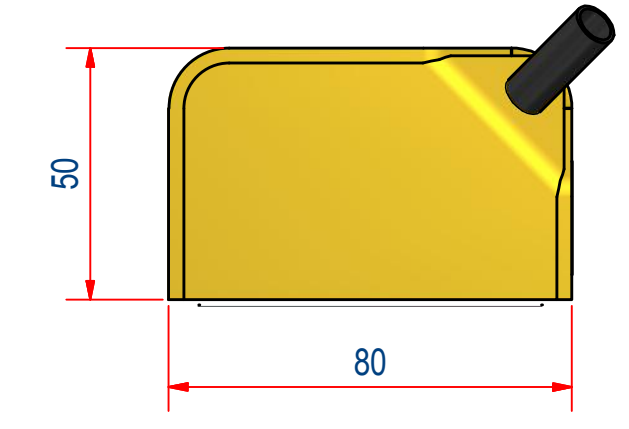


REV	DATE	BY	DESCRIPTION
-	18-12-2013	PB	NEW VAULT, NEW REVISION. NOTHING CHANGED. OLD REV WAS A



CABLE VMVL 2x1 L=5000
NOT SHOWN



ITEM	QTY	PART NUMBER	DESCRIPTION	Dimensions
2	1	M59957	STICKER ELECTRO ROD	
1	1	A190328	ELECTRO ROD ASSY B L=500	

RAW MAT.	QTY	MAT. NUMBER	MAT. DESCRIPTION	LENGTH (mm)	WIDTH (mm)
1	1				

Sheet: A2	Extra info: <i>duty cycle: 50%, max</i>	General tolerance: ISO 2768- mK
Drawn: PB	Weight (kg): 13,1	Drawn according: ISO268; ISO1101; ISO2553
Date: 18-12-2013		Status: Standard
Spare part: False		Customer reference number:
Quick search: EHKA0500	© All rights reserved. Reproduction is not permitted without written permission of GOUDSMIT Magnetic Systems BV	File number: EHKAB05000
Description: HEB-080x50-0500-GC		Part number: EHKAB05000