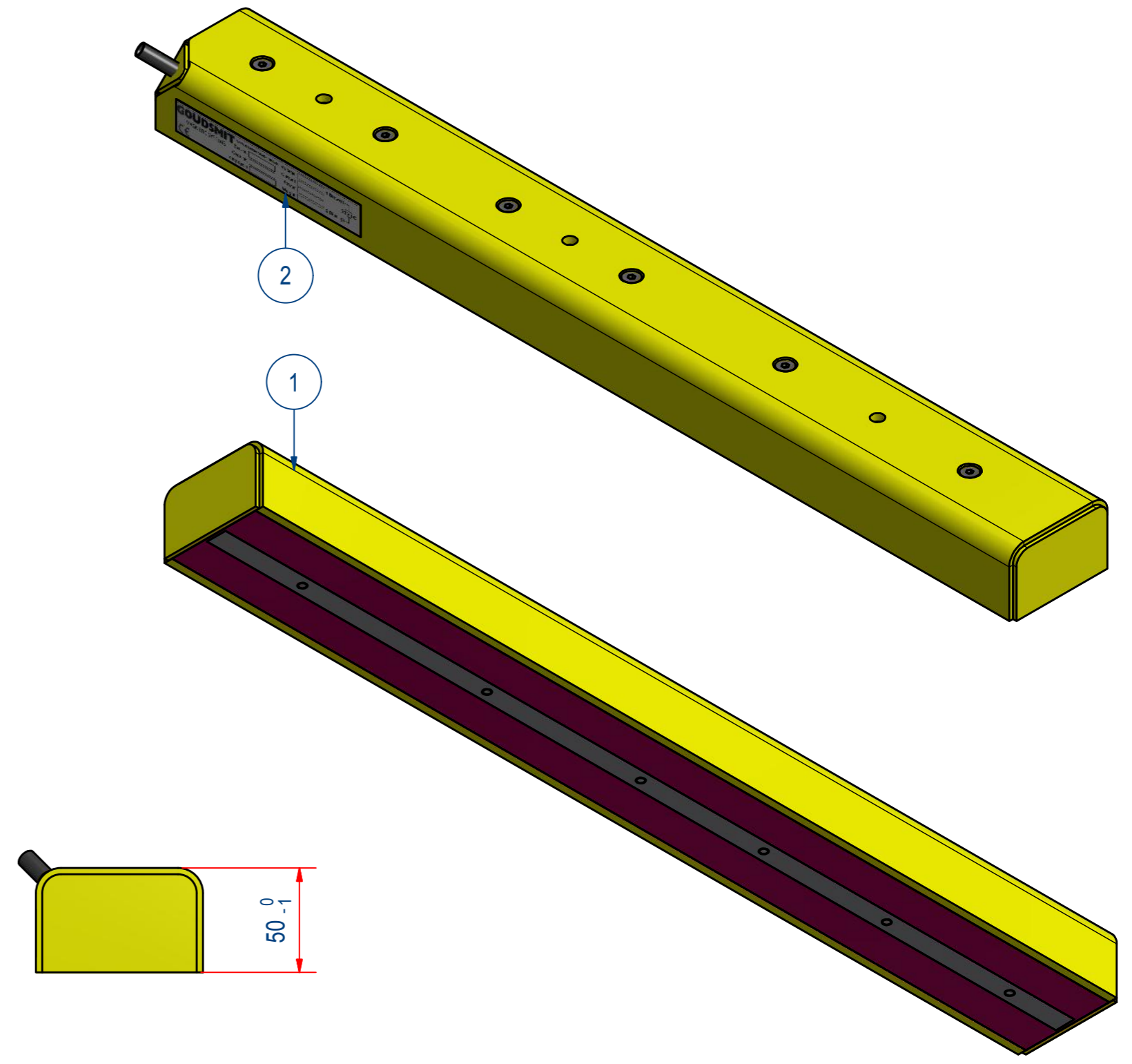
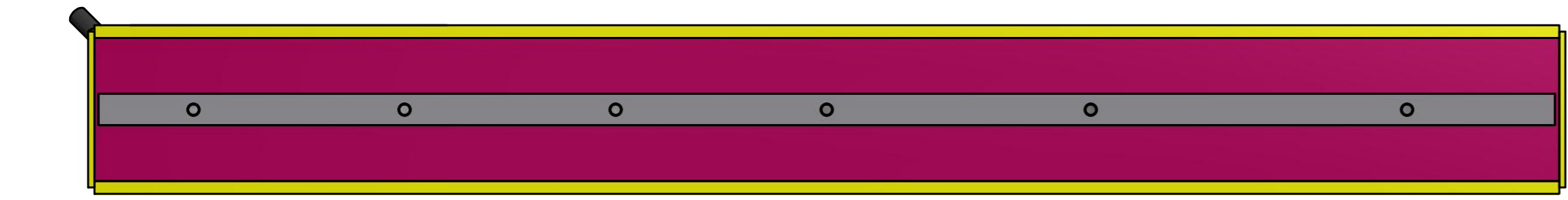
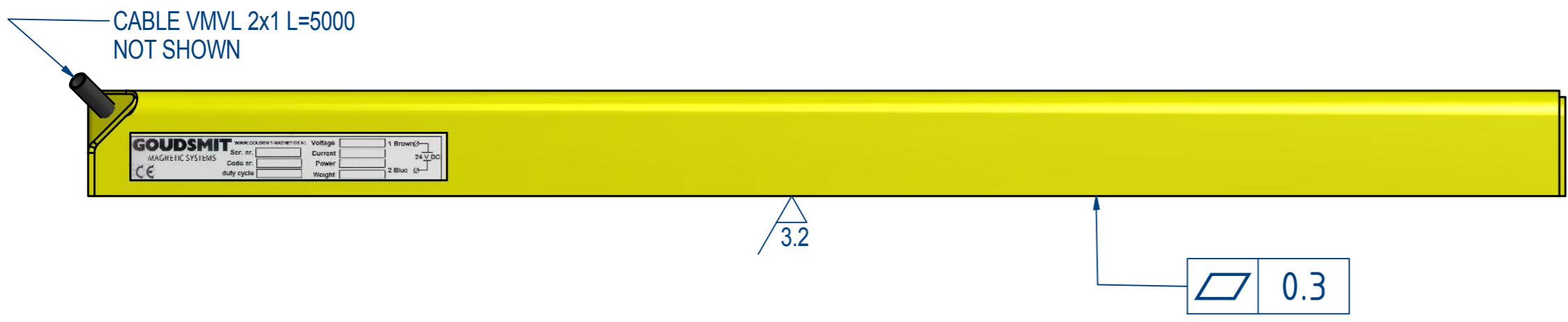
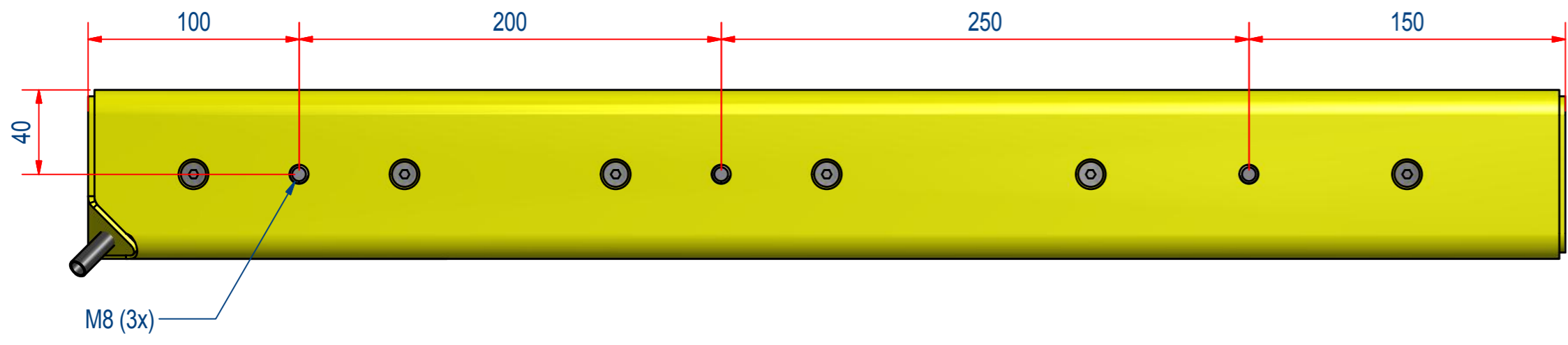


REV	DATE	BY	DESCRIPTION
-	6-9-2013	BS	NEW VAULT, NOTHING CHANGED, IS EQUAL TO OLD REVISION A



ITEM	QTY	PART NUMBER	DESCRIPTION	Dimensions
2	1	M59957	STICKER ELECTRO ROD	
1	1	M69762	ASSEMBLY ELECTRO ROD B, L=700	
RAW MAT.	1			LENGTH (mm) WIDTH (mm)

Sheet: A2	Extra info: Duty cycle 50% max 24V, 110W	General tolerance: ISO 2768- mK
Drawn: BS	Weight (kg): 17,9	Drawn according: ISO268; ISO1101; ISO2553
Date: 6-9-2013	GOUDSMIT MAGNETIC SYSTEMS <small>© All rights reserved. Reproduction is not permitted without written permission of GOUDSMIT Magnetic Systems BV</small>	Status: Standard
Spare part: False		Customer reference number:
Quick search: EHKAB0700	File number: EHKAB07000	Rev: -
Description: HEB-080x50-0700-GC	Part number: EHKAB07000	Rev: -