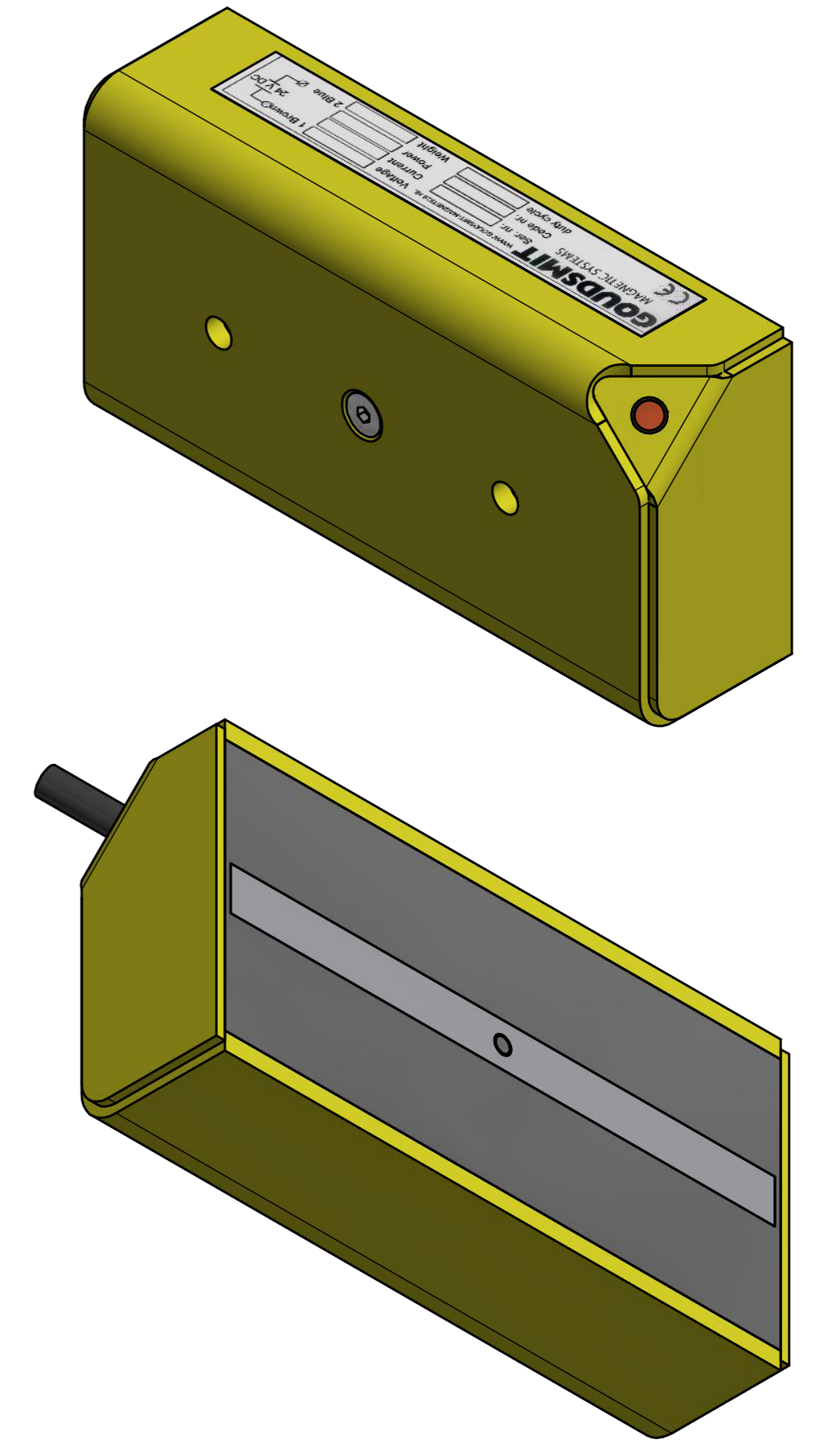
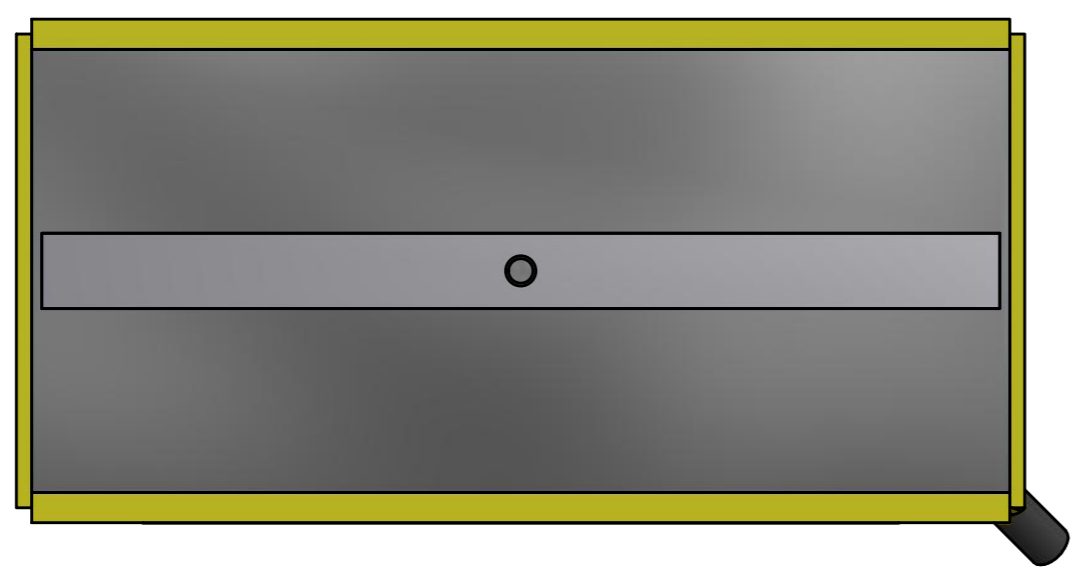
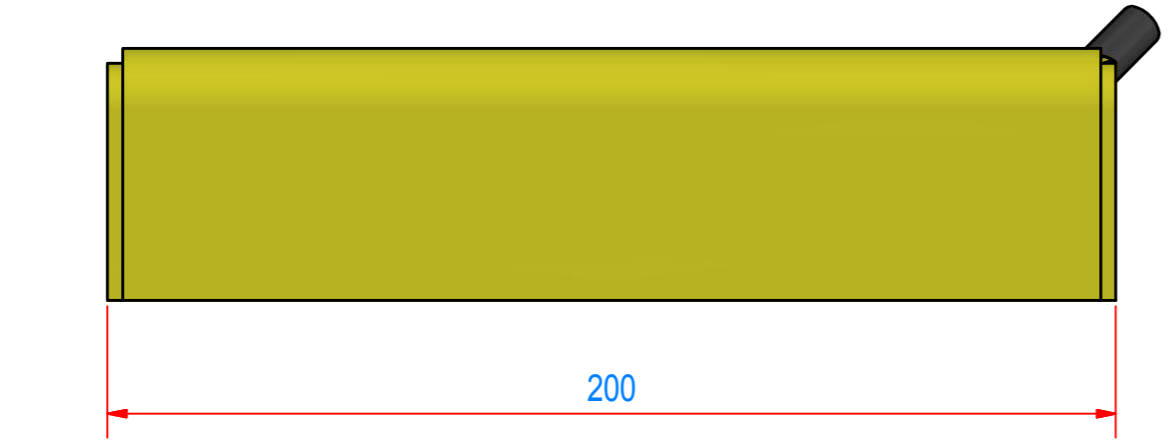
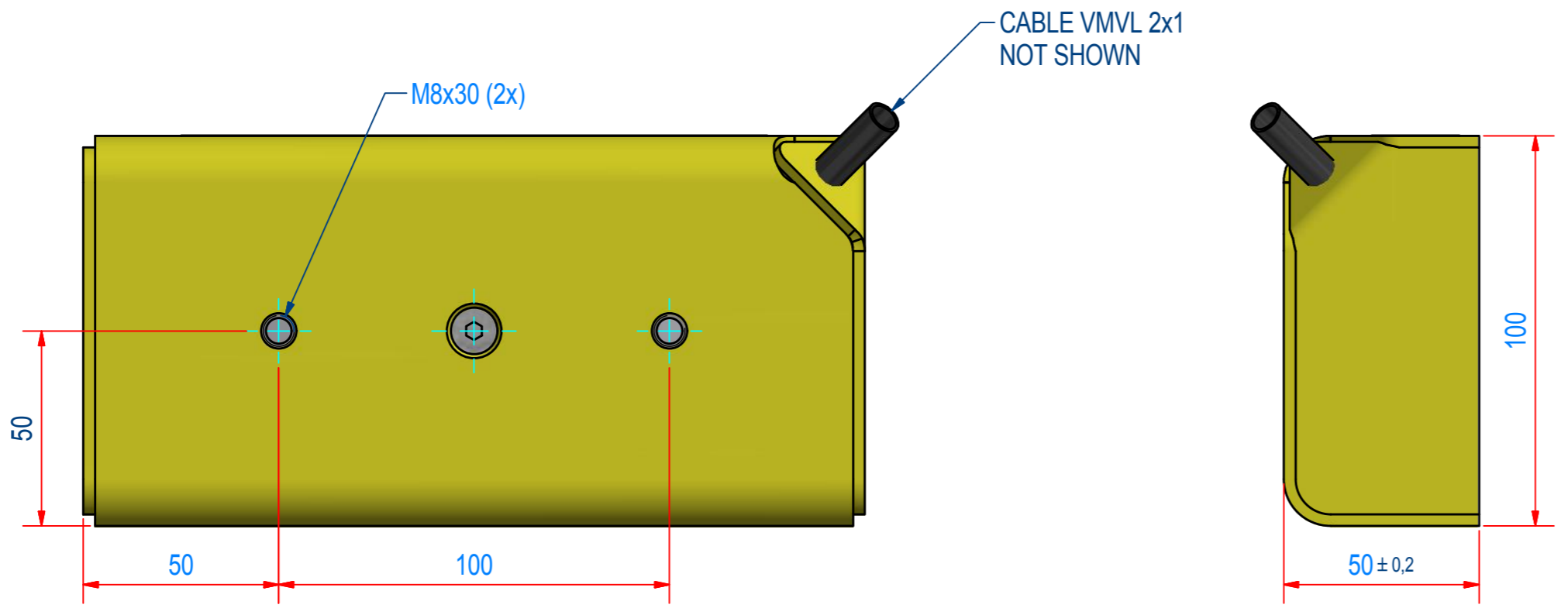
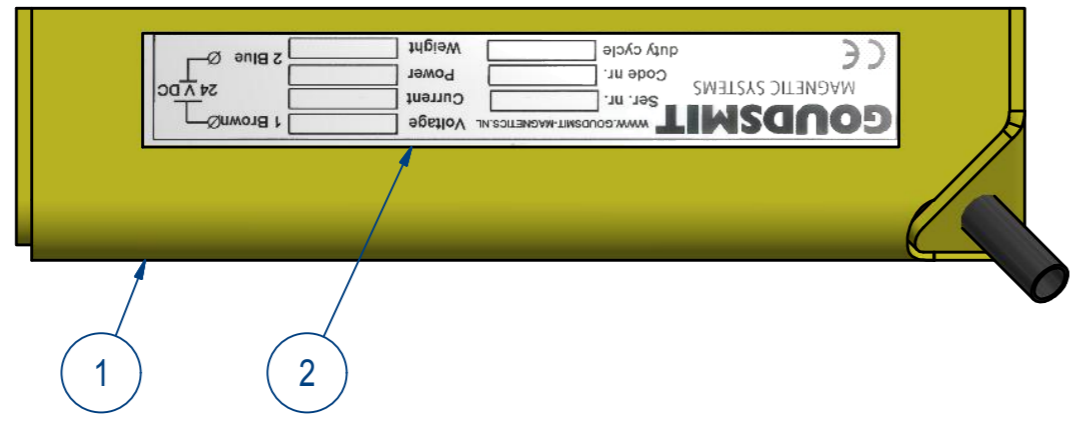


REV	DATE	BY	DESCRIPTION
-	5-3-2014	BS	NEW VAULT, NOTHING CHANGED, IS EQUAL TO OLD REVISION C



ITEM	QTY	PART NUMBER	DESCRIPTION	Dimensions
2	1	M59957	STICKER ELECTRO ROD	
1	1	M69695	ELECTRO ROD ASSY C L=200	

RAW MAT.	QTY	MAT. NUMBER	MAT. DESCRIPTION	LENGTH (mm)	WIDTH (mm)
⊕	1				

Sheet: <b>A2</b>	Extra info: <b>24V, 37W, 1.55A</b>	General tolerance: <b>ISO 2768- mK</b>
Drawn: <b>PB</b>	Weight (kg): <b>6,5</b>	Drawn according: <b>ISO268; ISO1101; ISO2553</b>
Date: <b>22-2-2011</b>		Status: <b>Standard</b>
Spare part: <b>False</b>		Customer reference number:
Quick search: <b>EHKA0200</b>	© All rights reserved. Reproduction is not permitted without written permission of GOUDSMIT Magnetic Systems BV	File number: <b>EHKAC02000</b>
Description: <b>HEB-100x50-0200-GC</b>		Part number: <b>EHKAC02000</b>